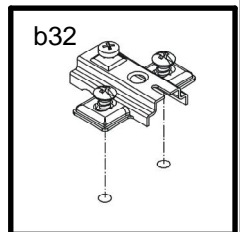
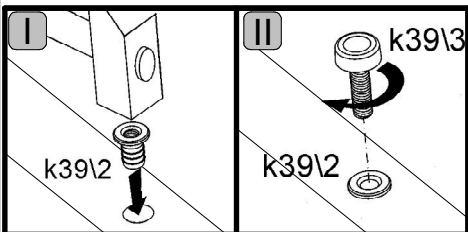
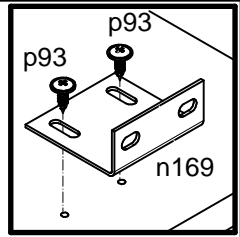
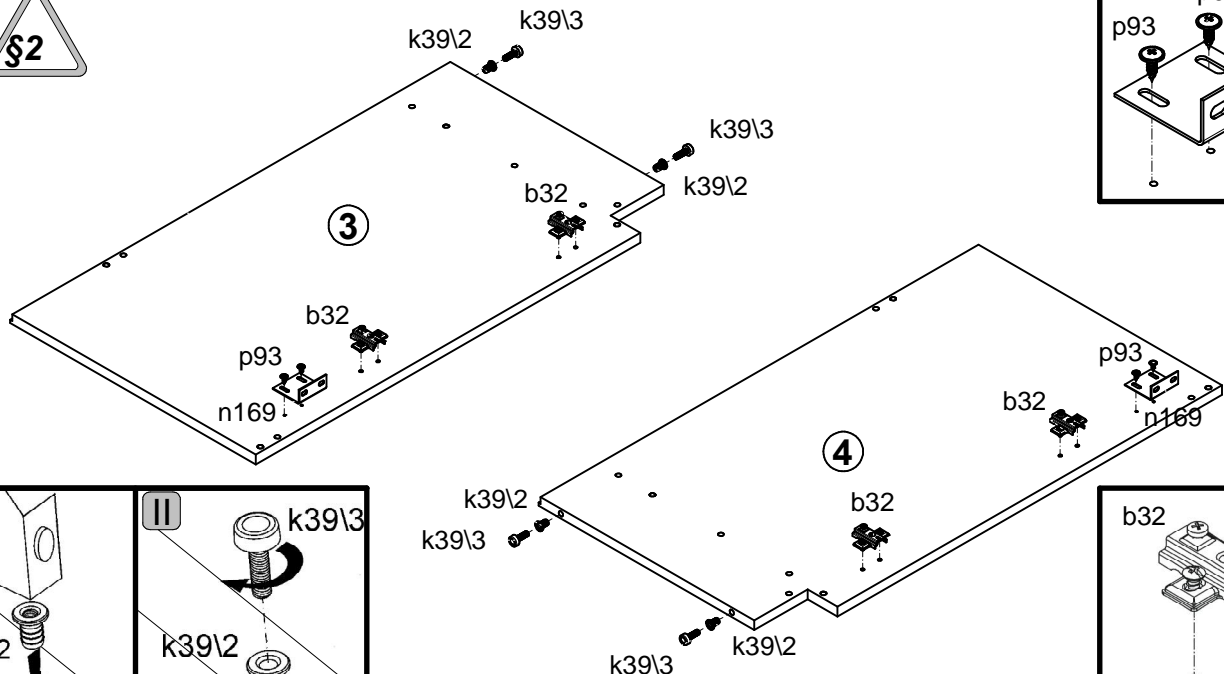
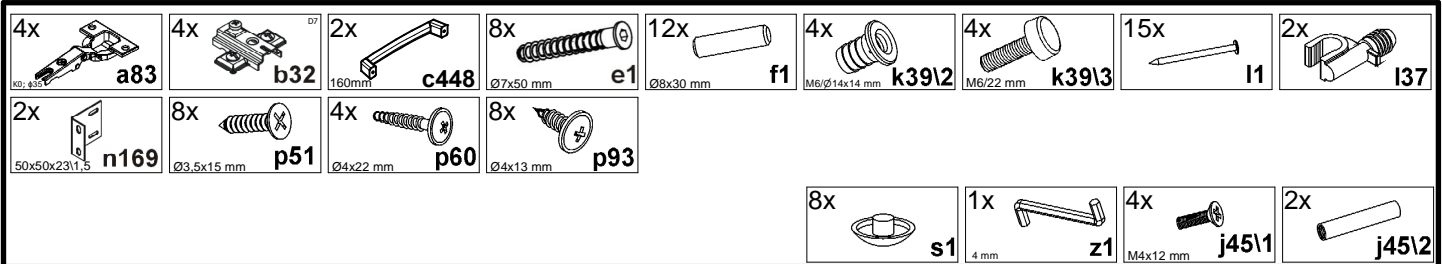
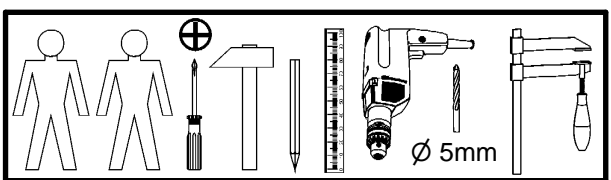
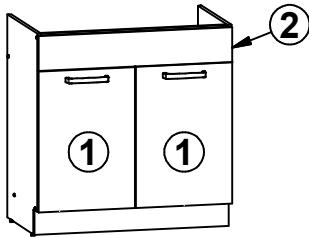
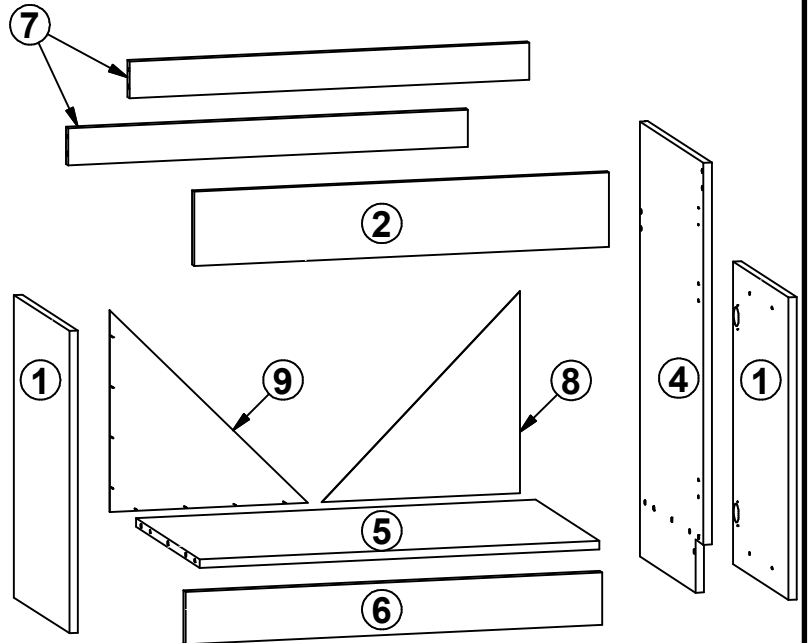
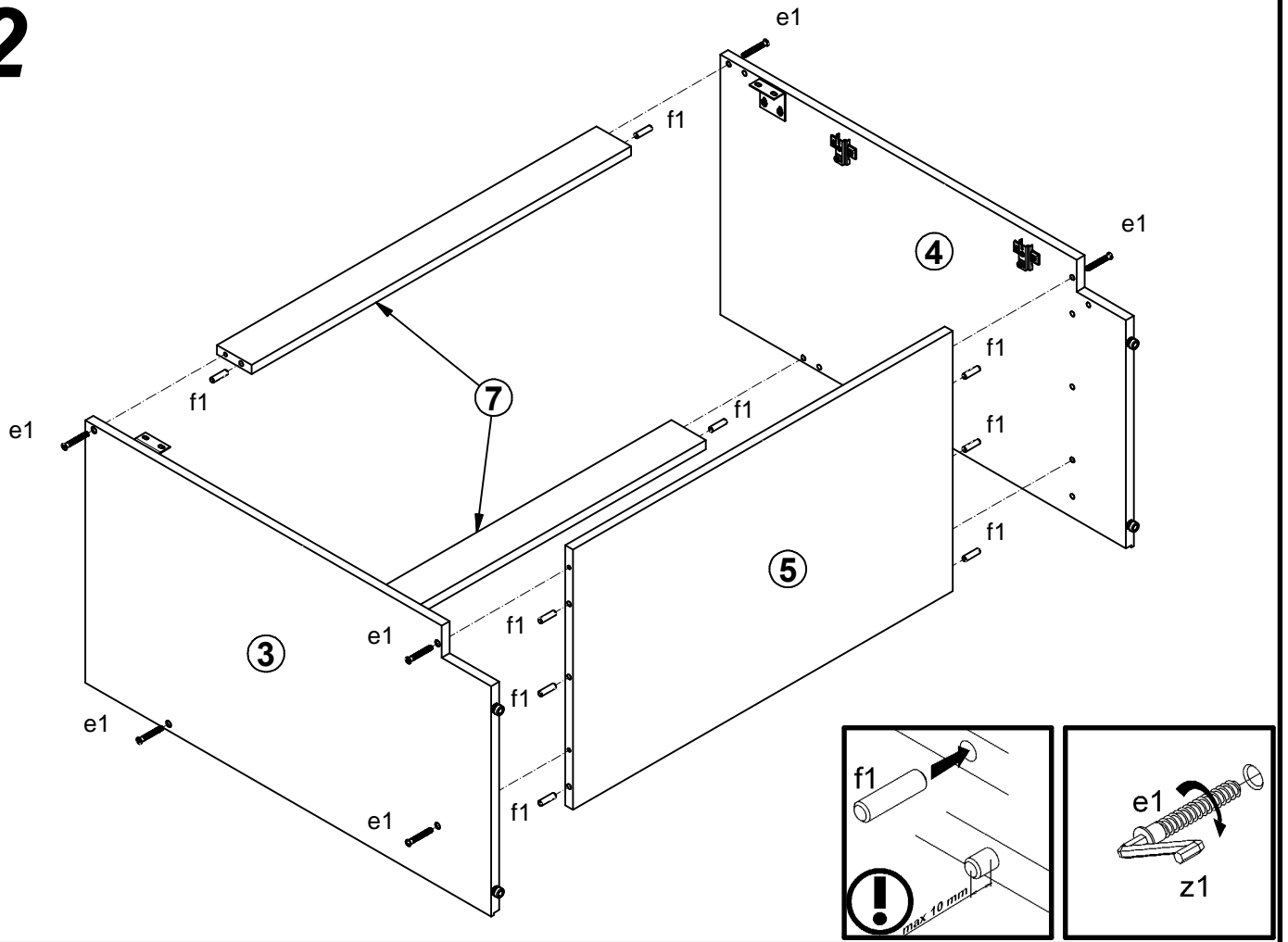


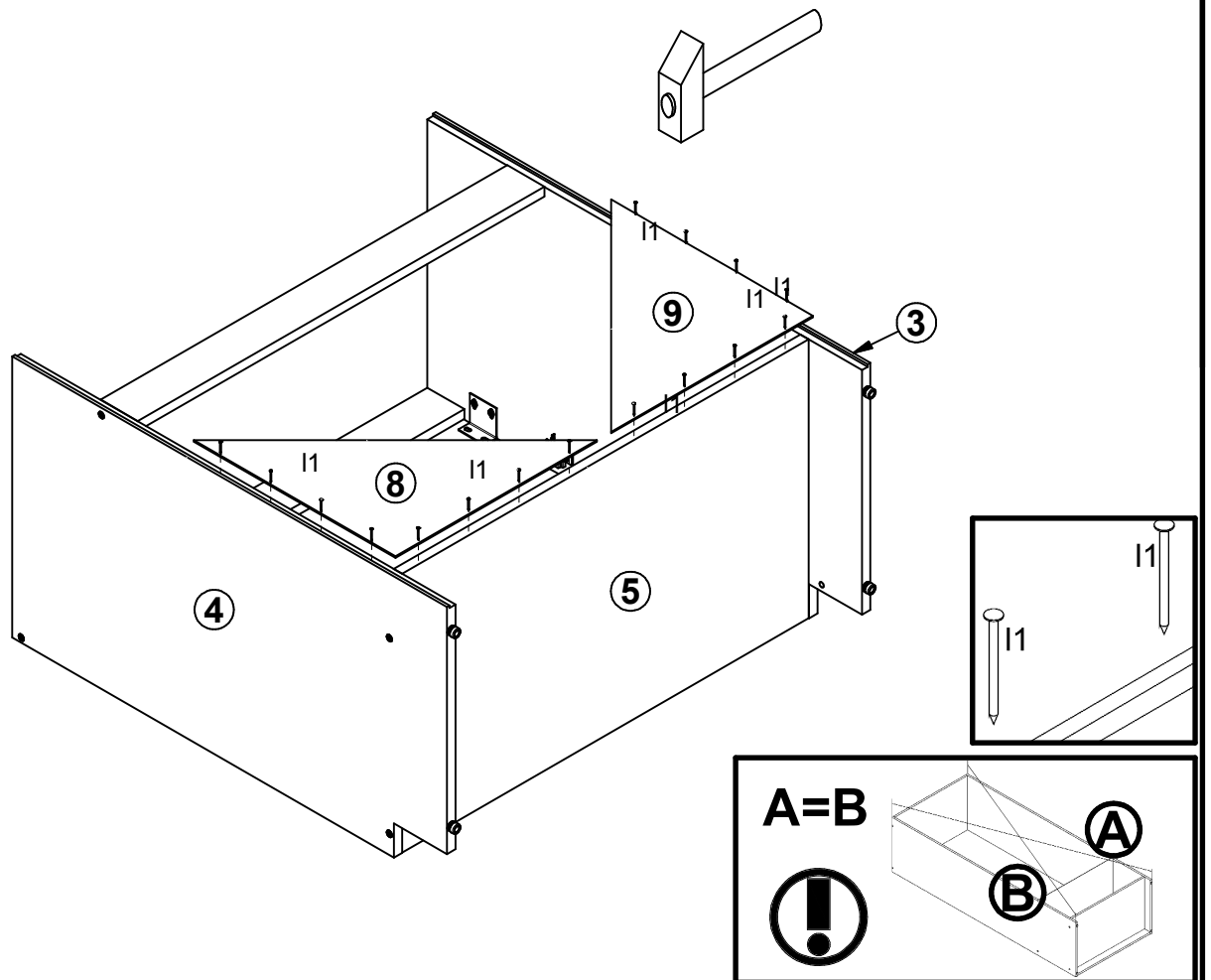
A	B	C	D	
1	K30-0002	396	570	2/3
2	K30-0005	796	140	3/3
3	K30-1011	820	460	1/3
4	K30-1012	820	460	1/3
5	K30-3019	767	456	1/3
6	K30-4010	799	99	1/3
7	K30-4012	767	70	1/3
8	K30-9010	380	380	1/3
9	K30-9017	380	380	1/3



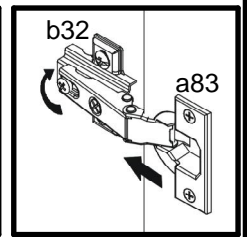
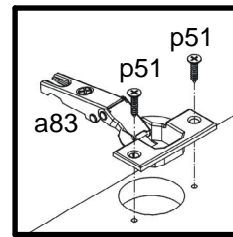
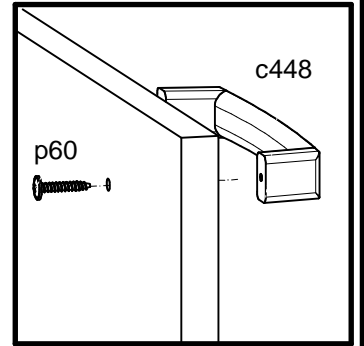
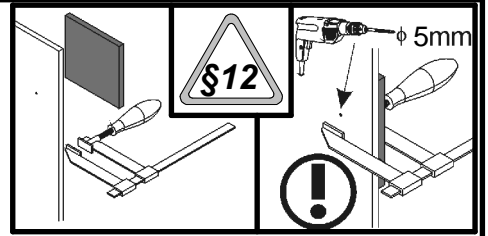
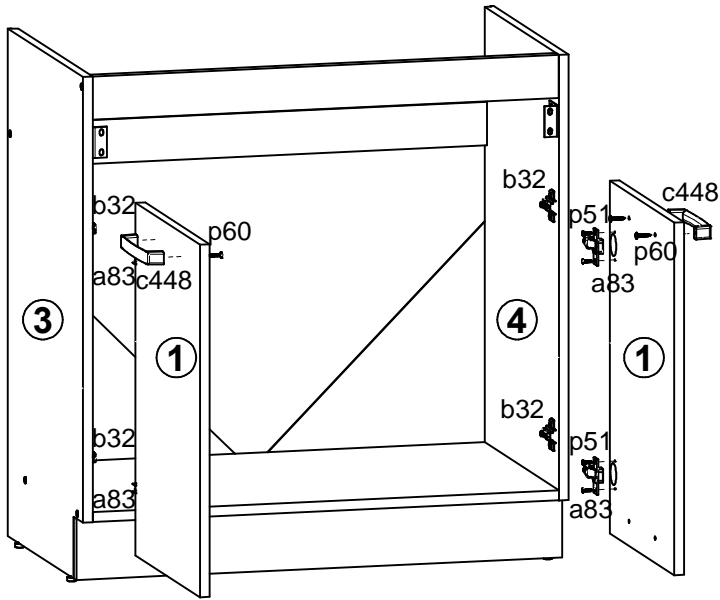
# 2



# 3



# 4



# 5

