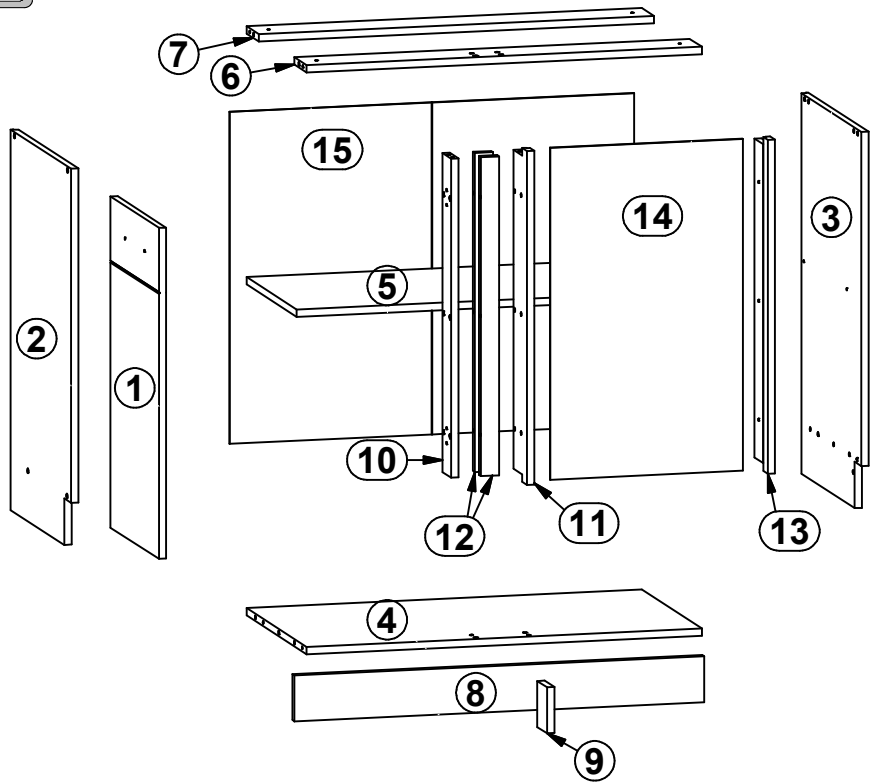


A

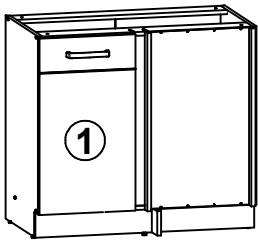
SEMI LINE

K30-DNW-100/82

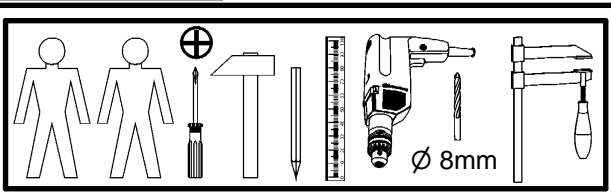
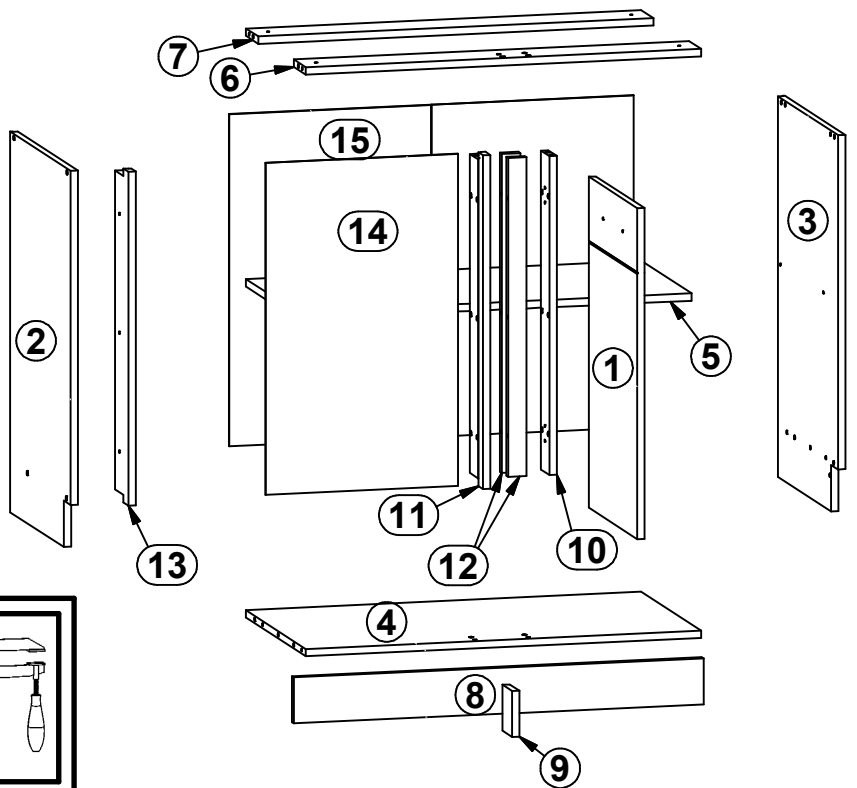
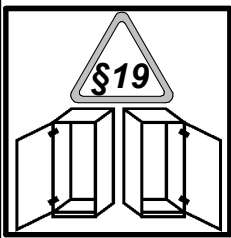
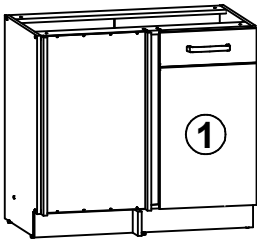
A	B	C	D
1	K30-0007	713	396 2/2
2	K30-1019	820	495 1/2
3	K30-1020	820	495 1/2
4	K30-3032	867	491 1/2
5	K30-3033	867	411 1/2
6	K30-4015	867	100 1/2
7	K30-4016	867	100 1/2
8	K30-4017	899	99 1/2
9	K30-4018	80	99 1/2
10	K30-4019	687	70 1/2
11	K30-4020	719	110 1/2
12	K30-4021	687	40 1/2
13	K30-4023	719	110 1/2
14	K30-9014	715	422 1/2
15	K30-9015	715	887 1/2



L

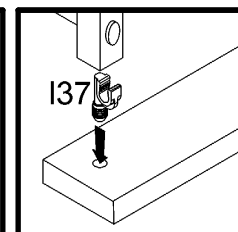
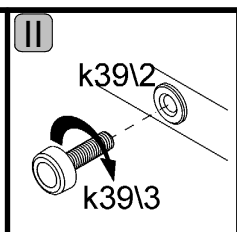
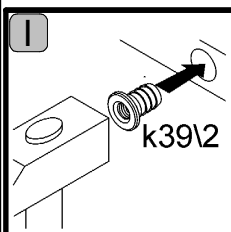
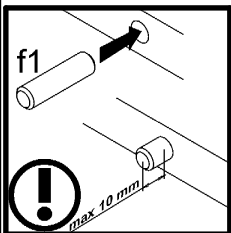
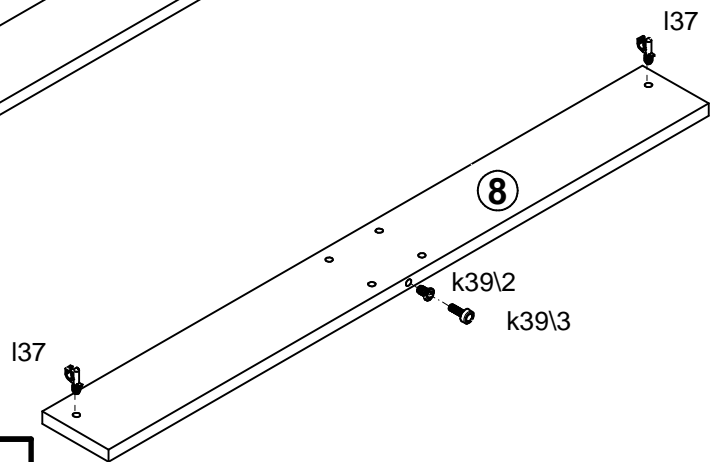
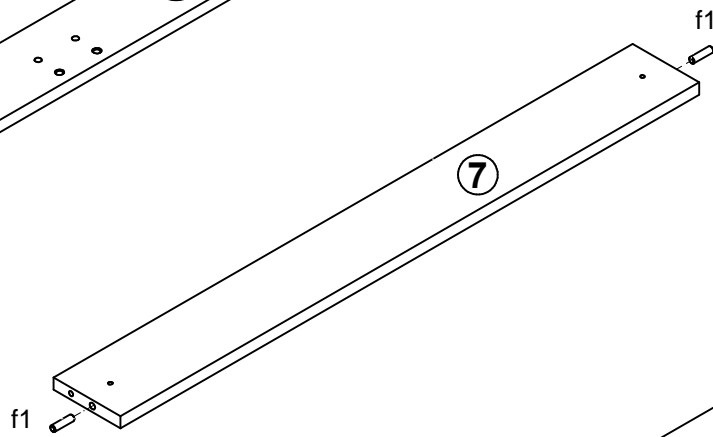
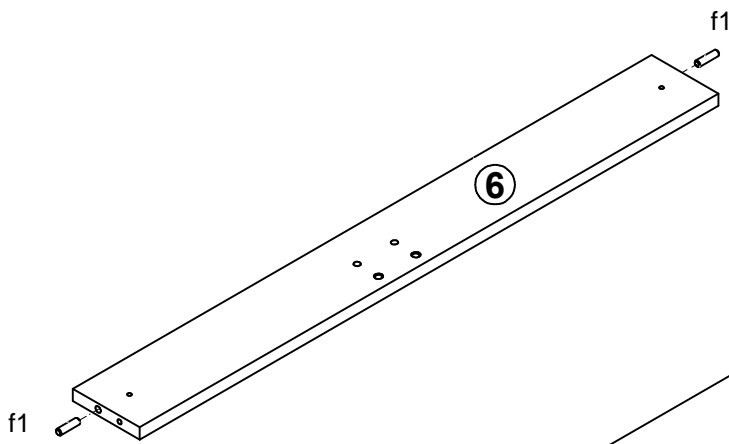
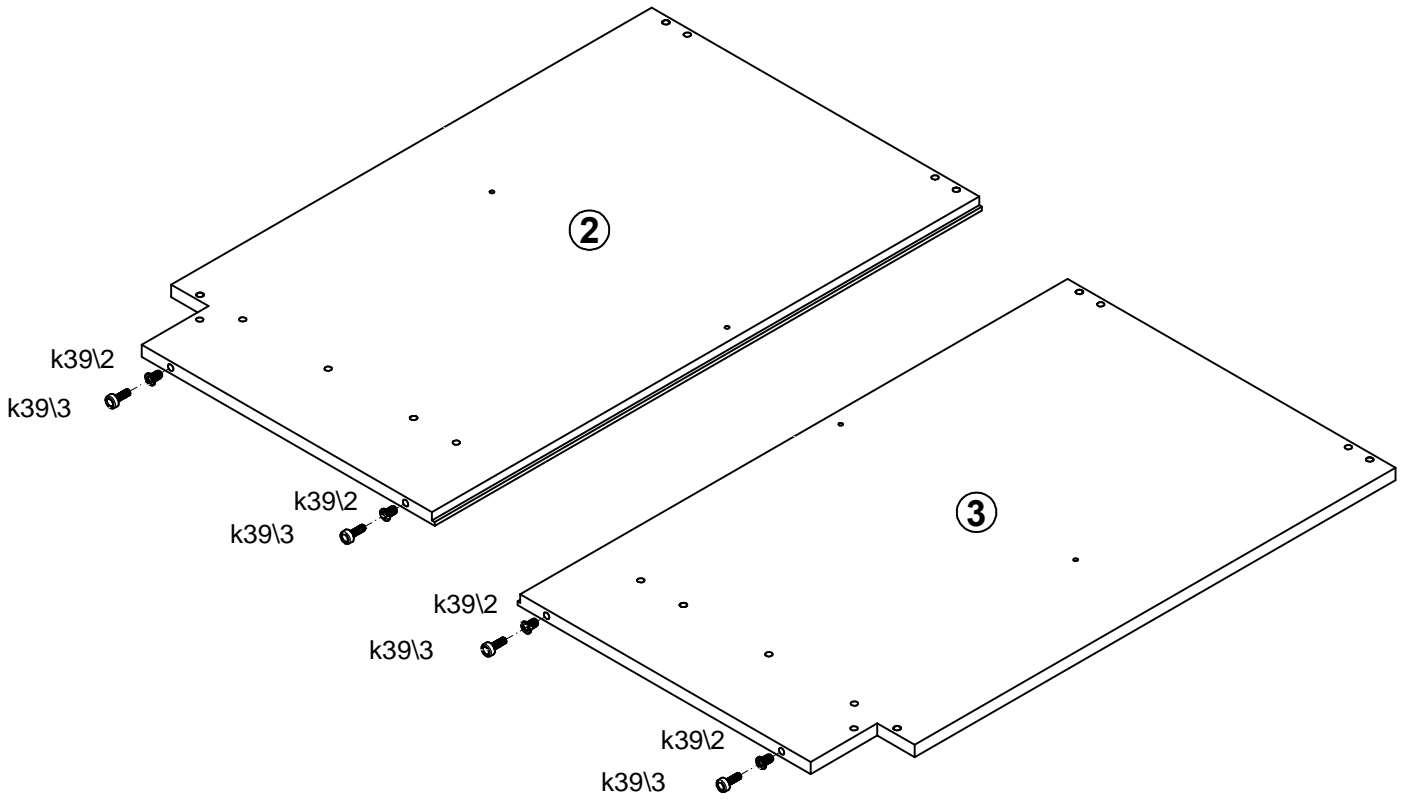


P

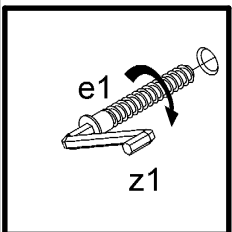
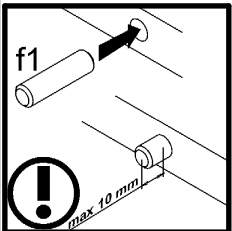
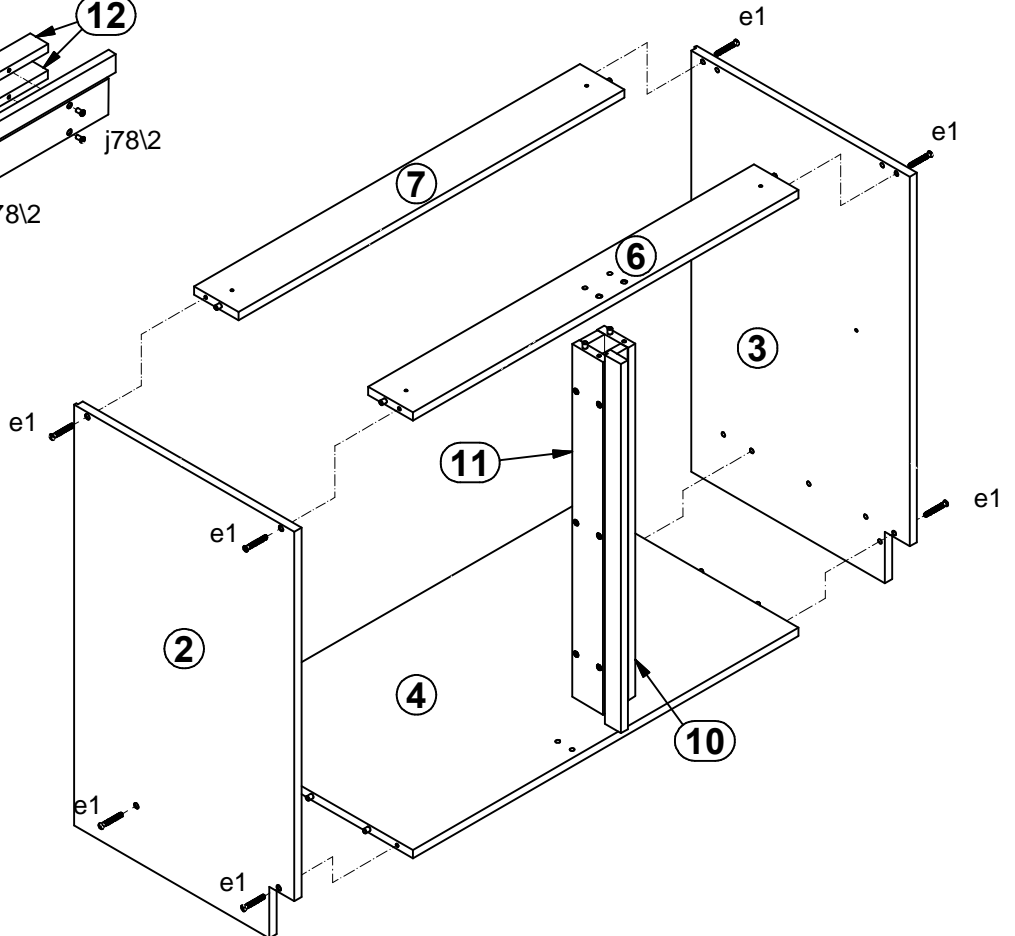
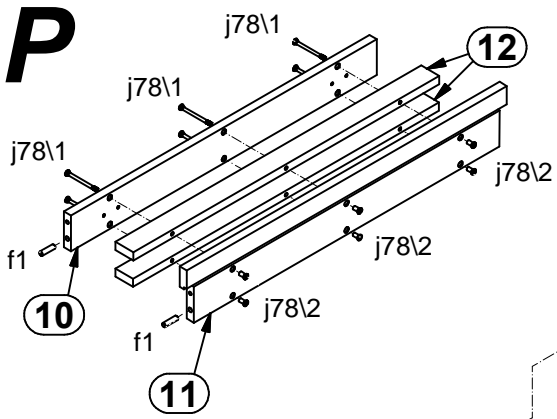
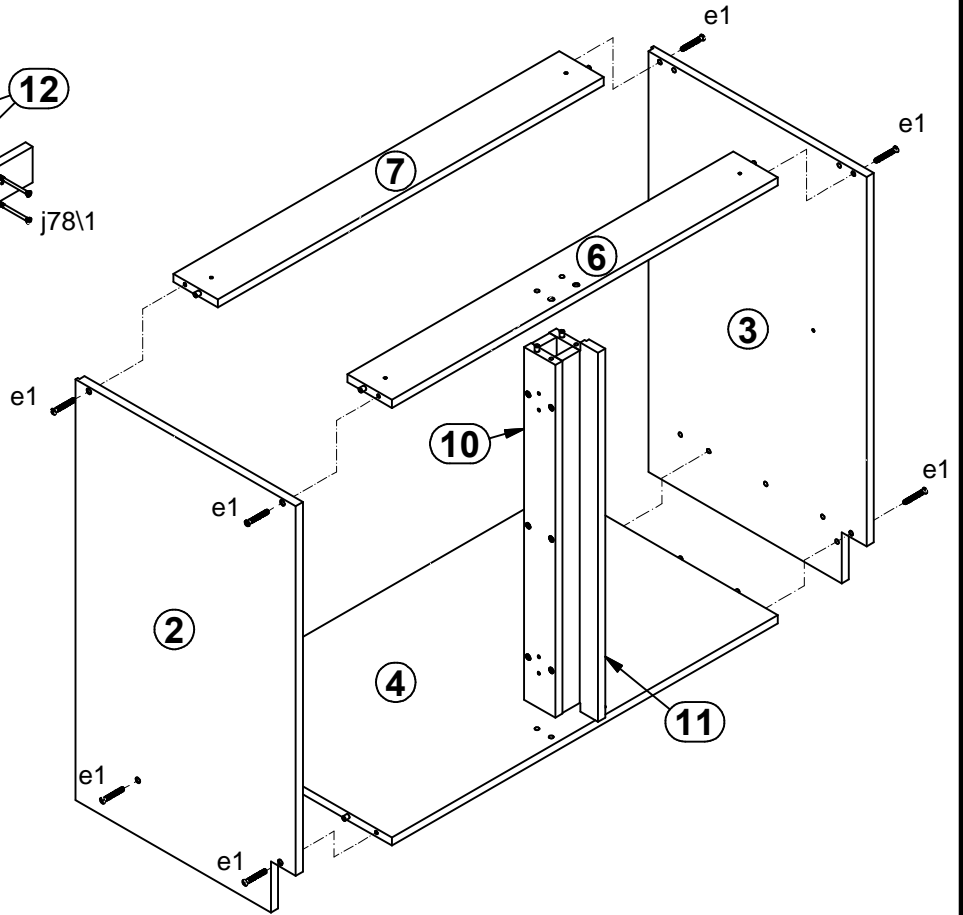
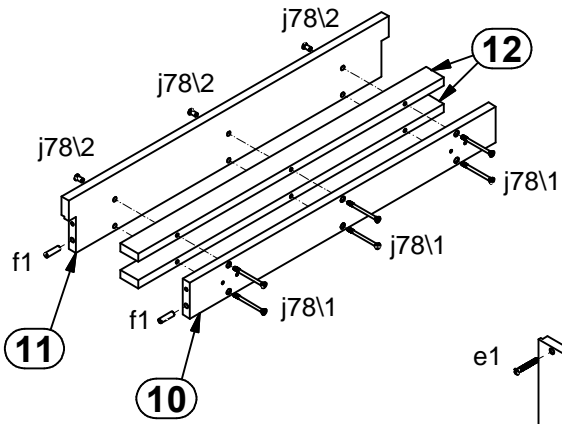


2x a83	2x b32	1x c448 160mm	4x d1 Ø5x17 mm	14x e1 Ø7x50 mm	14x f1 Ø8x30 mm	6x j78/1 M5x62 mm	6x j78/2 Ø6,5/M5x13	5x k39/2 M8/Ø14x14 mm
5x k39/3 M6/22 mm	45x l1	2x l37	7x p21 Ø4x30 mm	4x p51 Ø3,5x15 mm	2x p60 Ø4x22 mm	2x s71 Ø35x62x40x10		
					8x s1	1x z1 4 mm	2x j45/1 M4x12 mm	2x j45/2

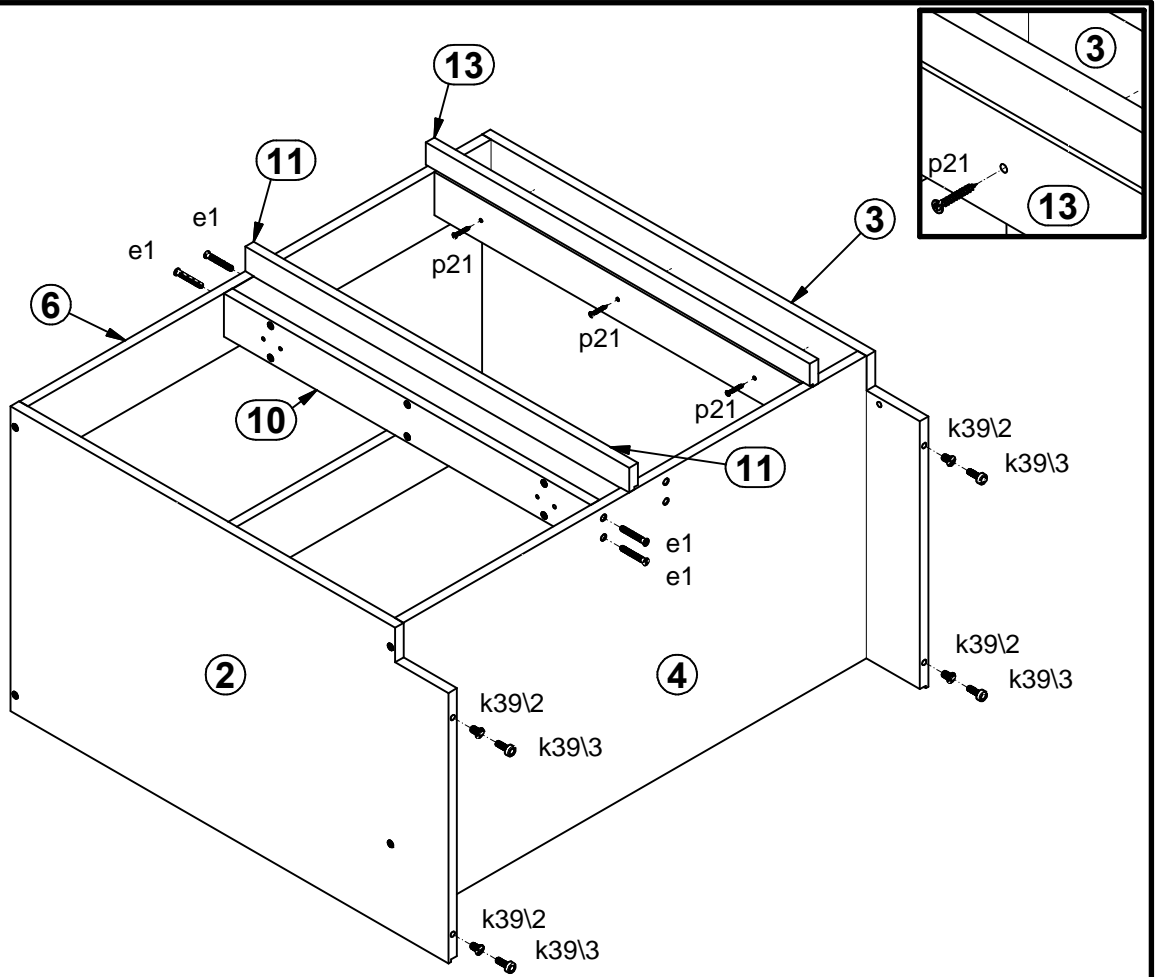
1 



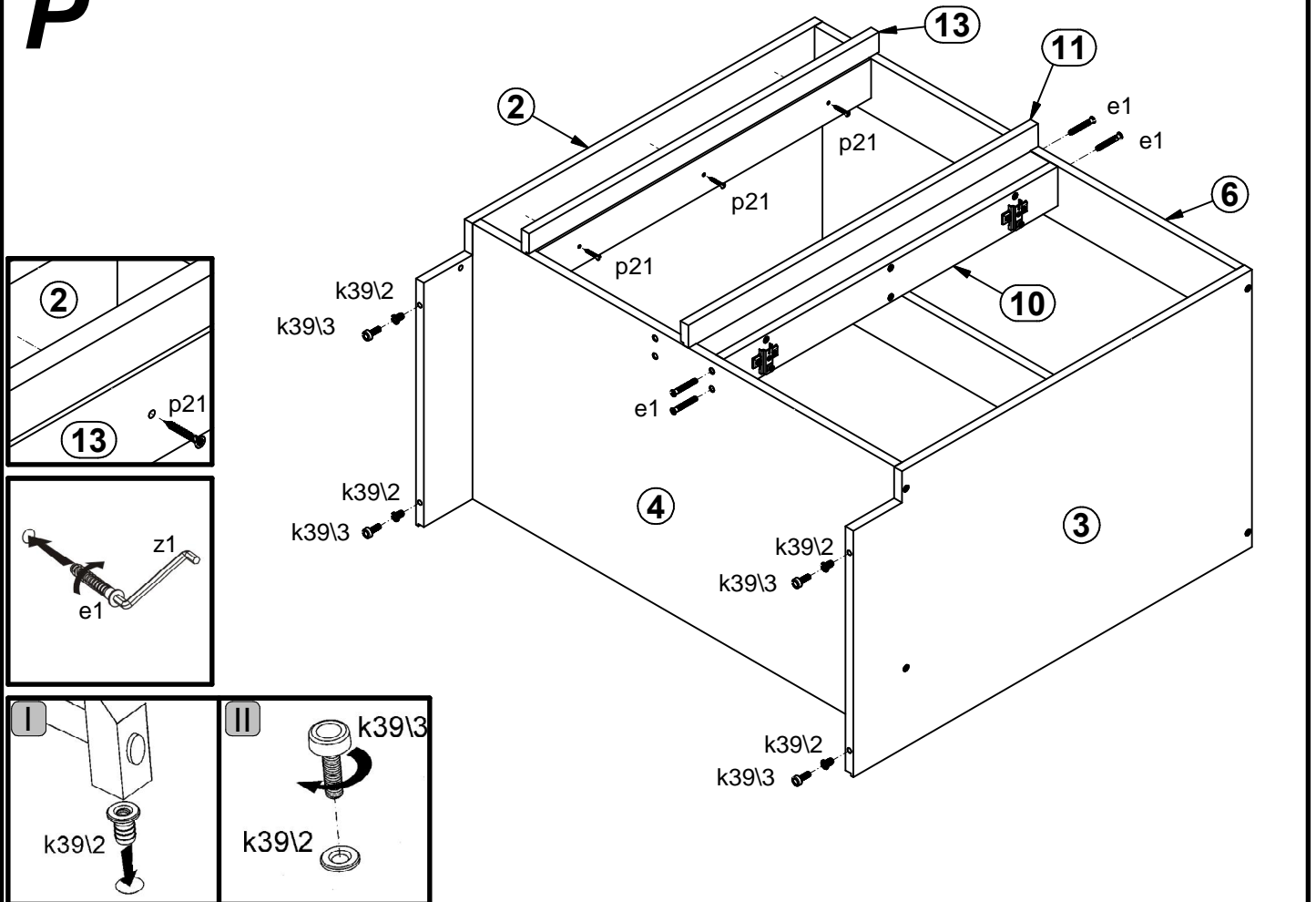
2L



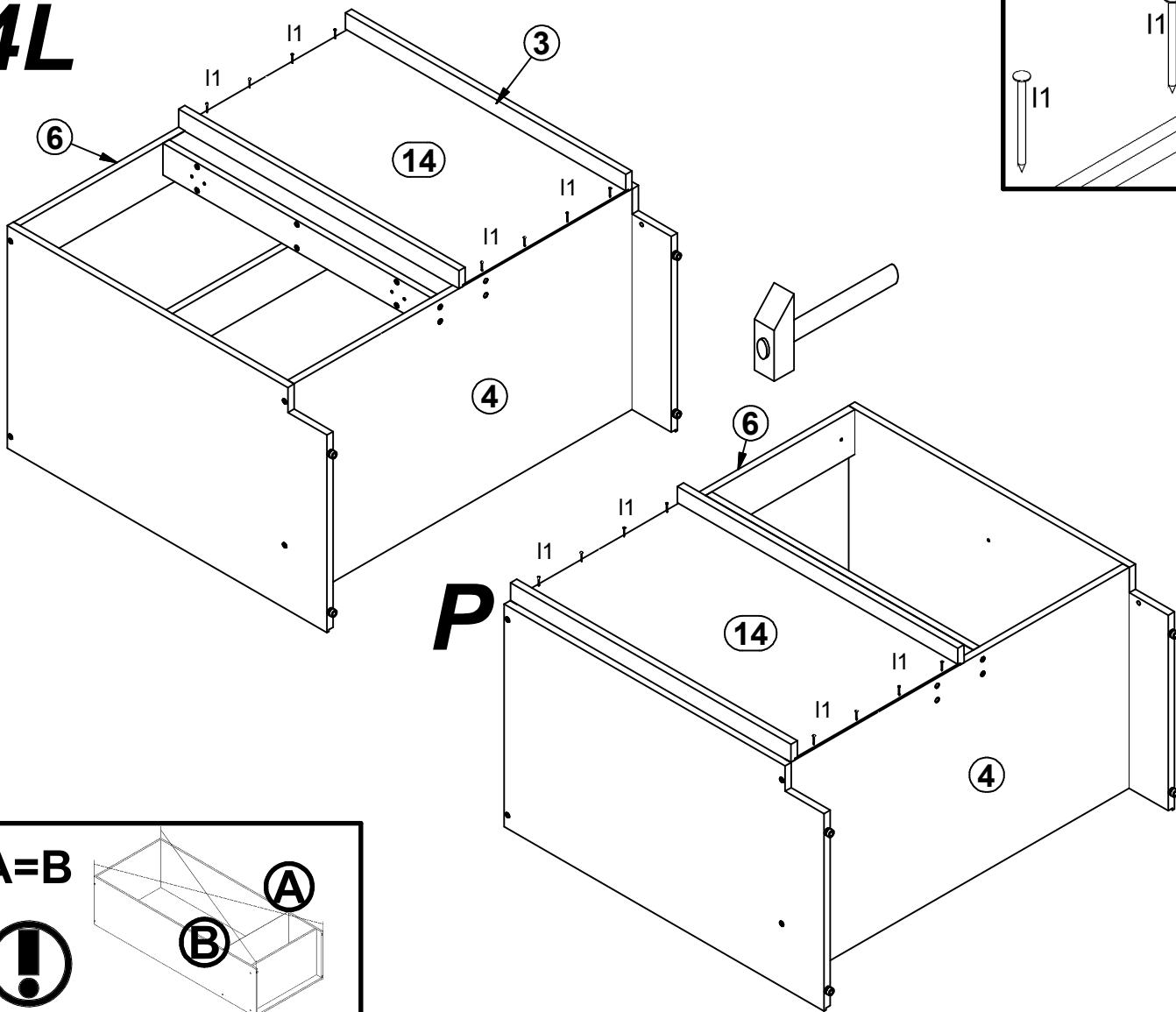
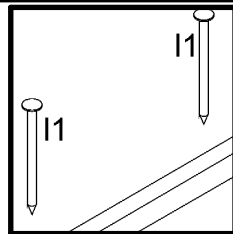
3L



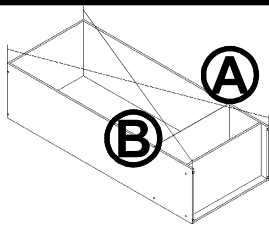
P



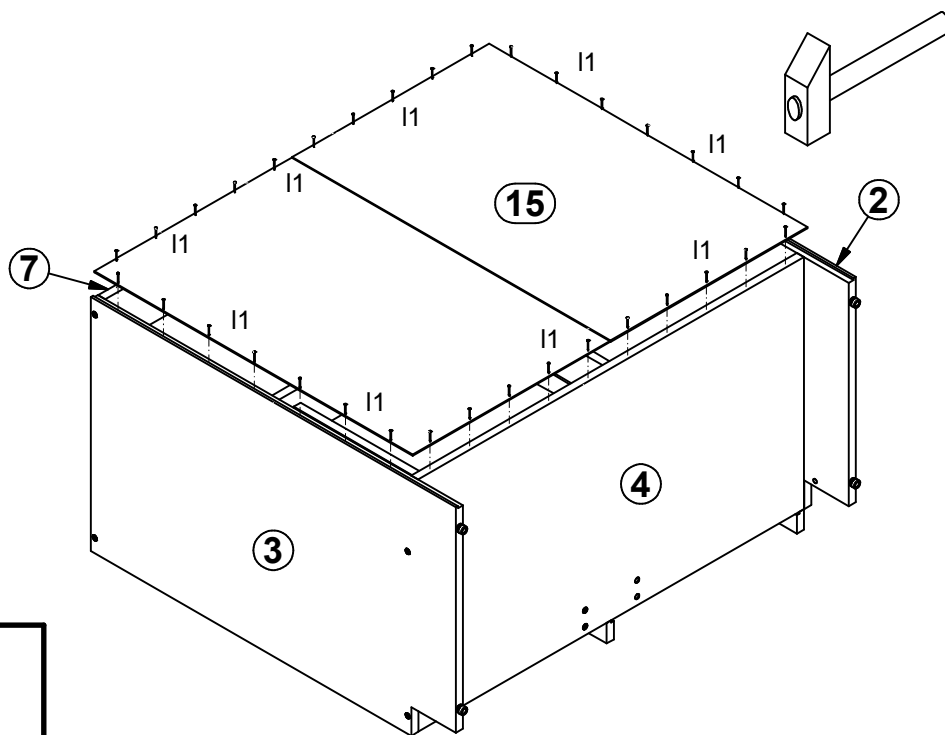
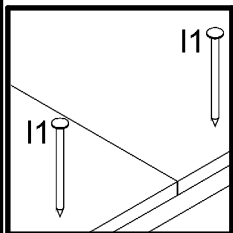
4L



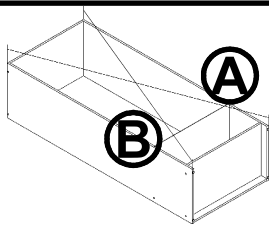
A=B



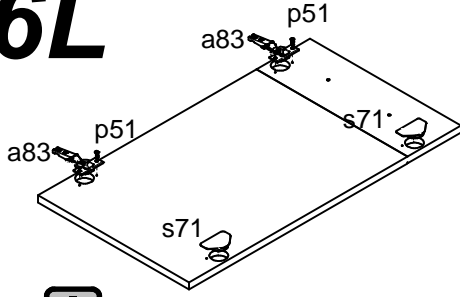
5



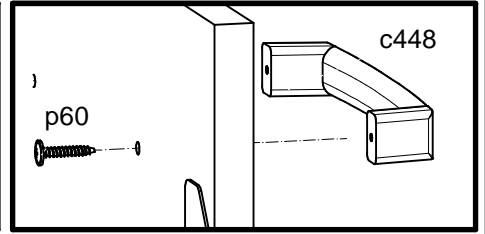
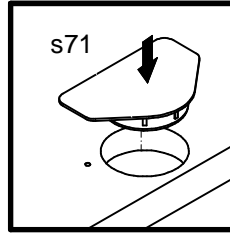
A=B



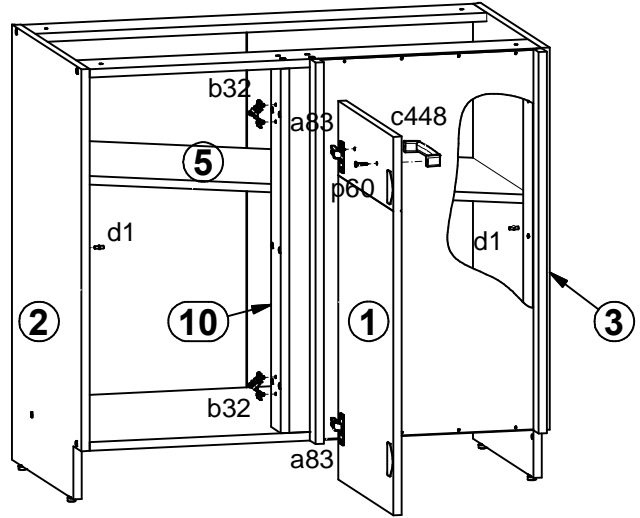
6L



I

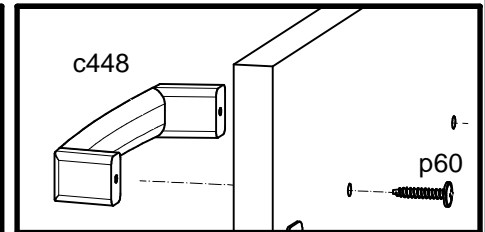
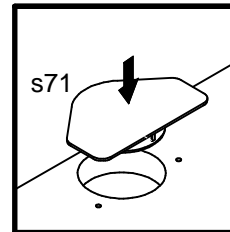
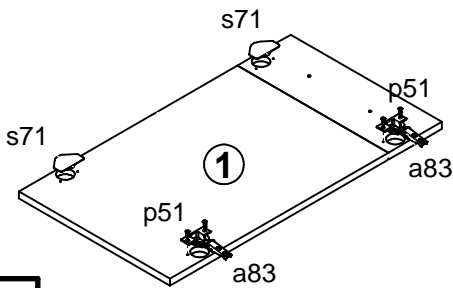


II

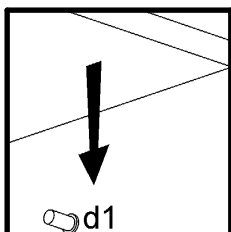
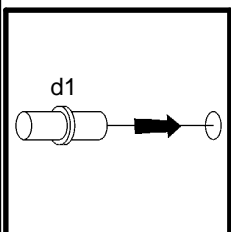
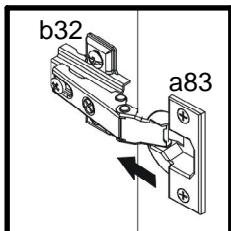
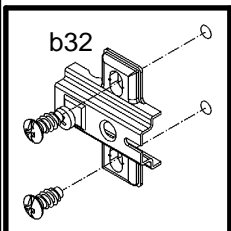
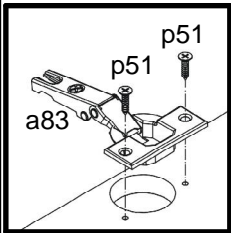
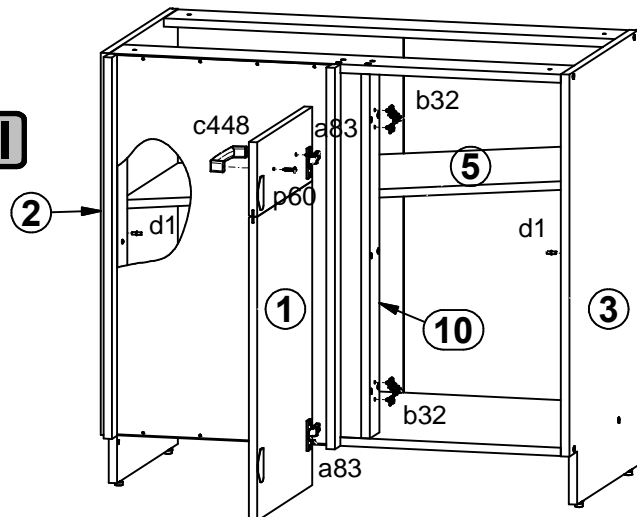


P

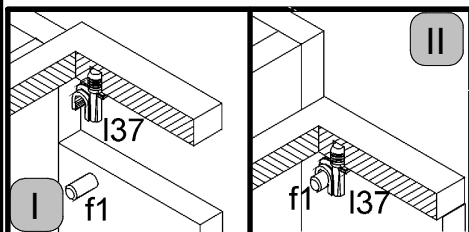
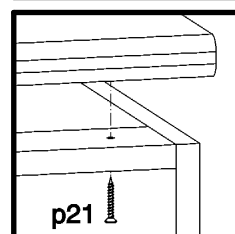
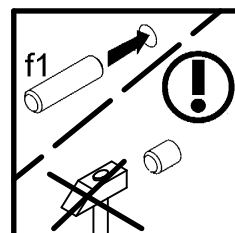
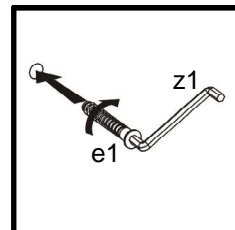
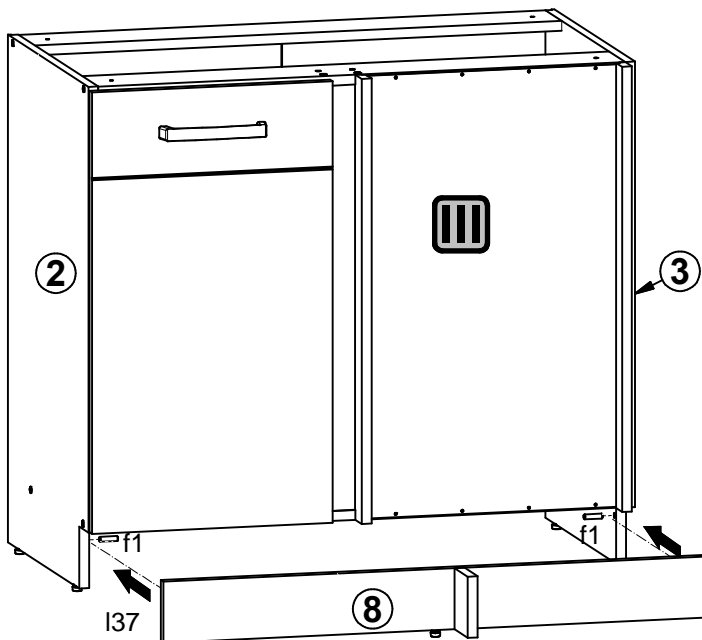
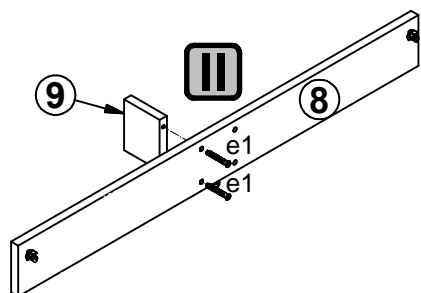
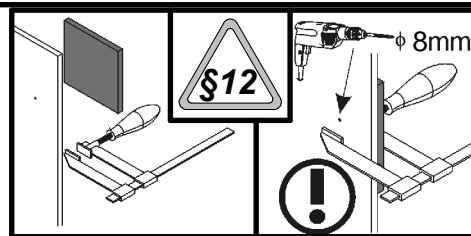
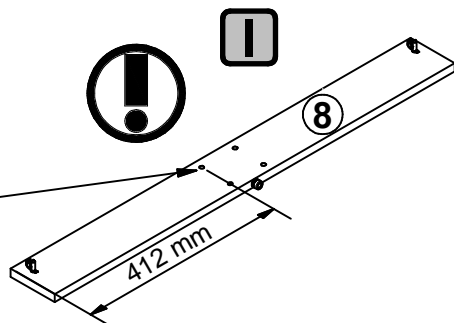
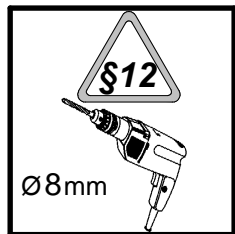
I



II



7L



P

