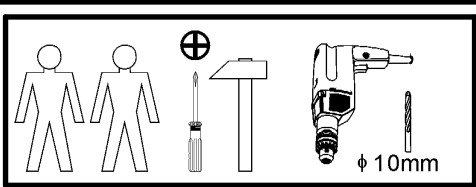
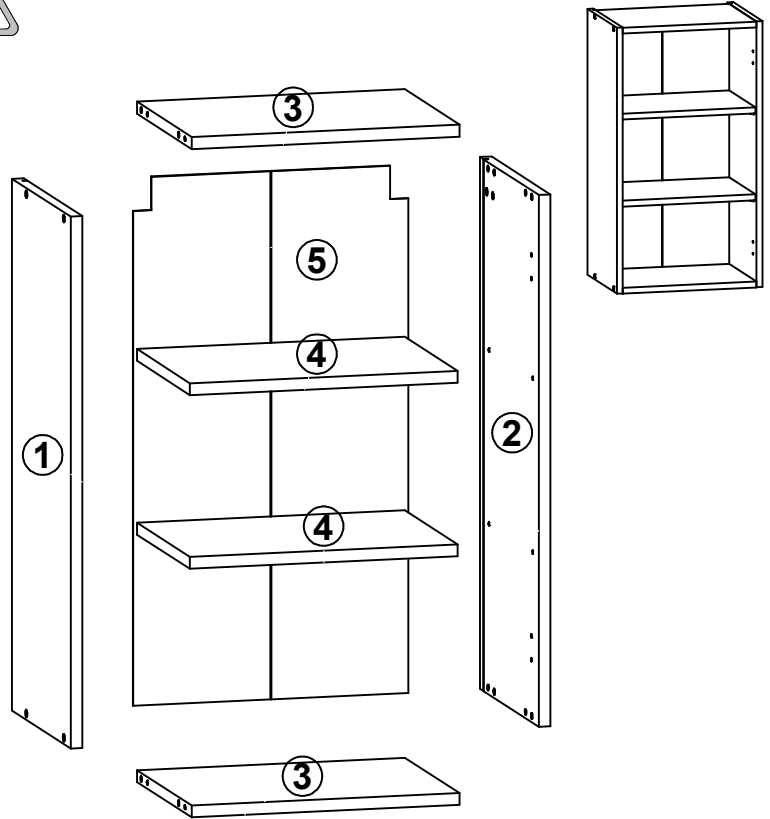


# SEMI LINE

# K30-G-40/72

A	B	C	D	
1	K30-1001	716	300	1/2
2	K30-1002	716	300	1/2
3	K30-3001	367	280	1/2
4	K30-3002	367	270	1/2
5	K30-9001	711	377	1/2



2x a83	2x b32	1x c448 160mm	8x d1 Ø5x17 mm	8x e1 Ø7x50 mm	4x j45\2	8x f1 Ø8x30 mm	2x f35 Ø10x50 mm	15x l1
2x p127 Ø6x60 mm	4x p21 Ø4x30 mm	4x p51 Ø3.5x15 mm	2x p60 Ø4x22 mm	1x z1 4 mm	8x s1	1x n185\L	1x n185\P	4x j45\1 M4x12 mm

## 1 §2

