

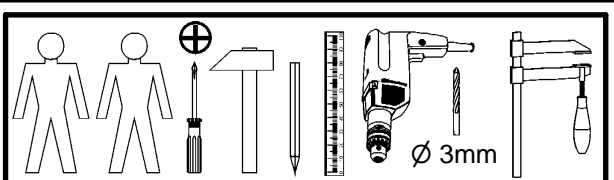
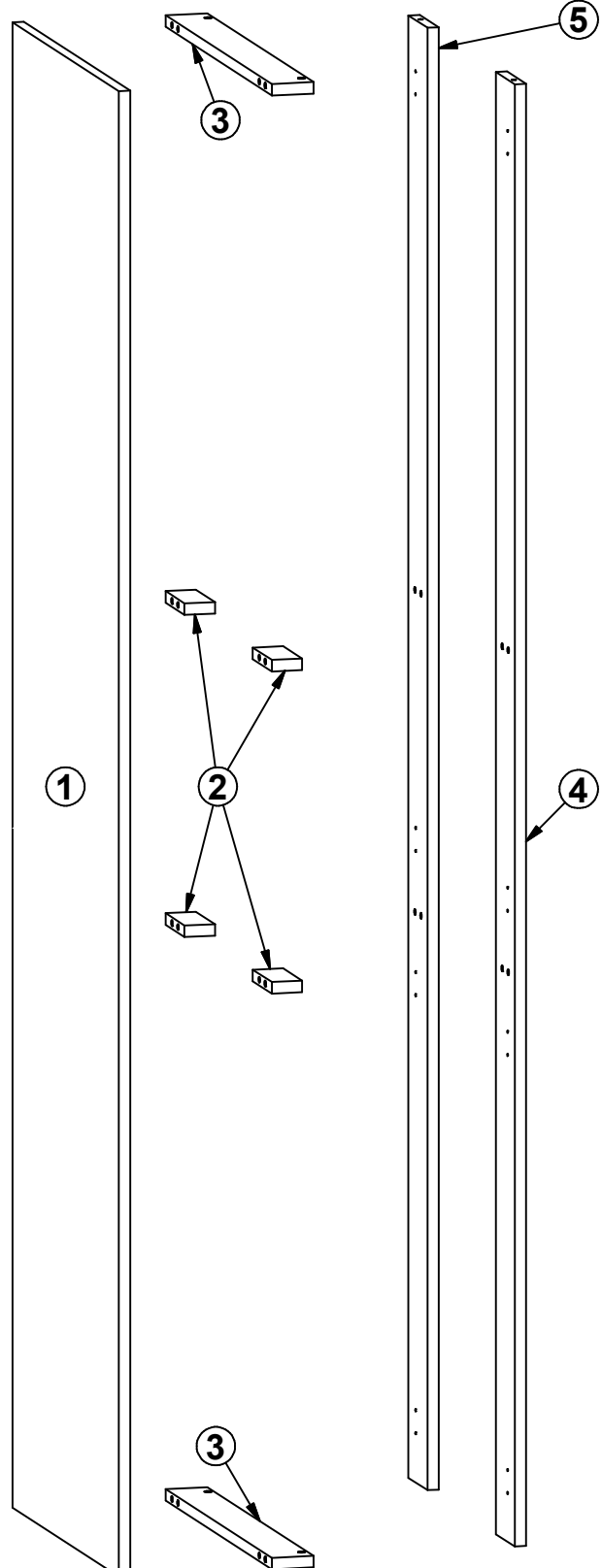
| A | B | C | D |
|---|----------|------|---------|
| 1 | K04-2001 | 2061 | 560 2/2 |
| 2 | K04-3377 | 43 | 100 1/2 |
| 3 | K04-3394 | 59 | 560 1/2 |
| 4 | K04-3444 | 2029 | 100 1/2 |
| 5 | K04-3445 | 2029 | 100 1/2 |
| 6 | | 2058 | 75 1/1 |
| 7 | | 1250 | 75 1/1 |
| 8 | | 808 | 75 1/1 |

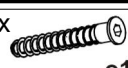
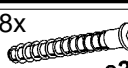
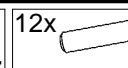
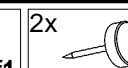

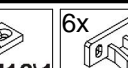
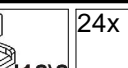

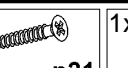


L

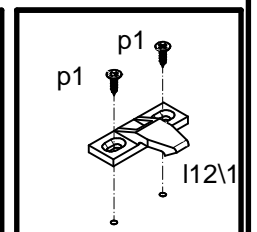
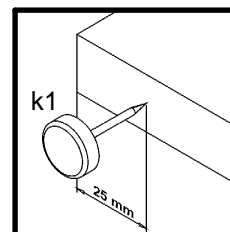
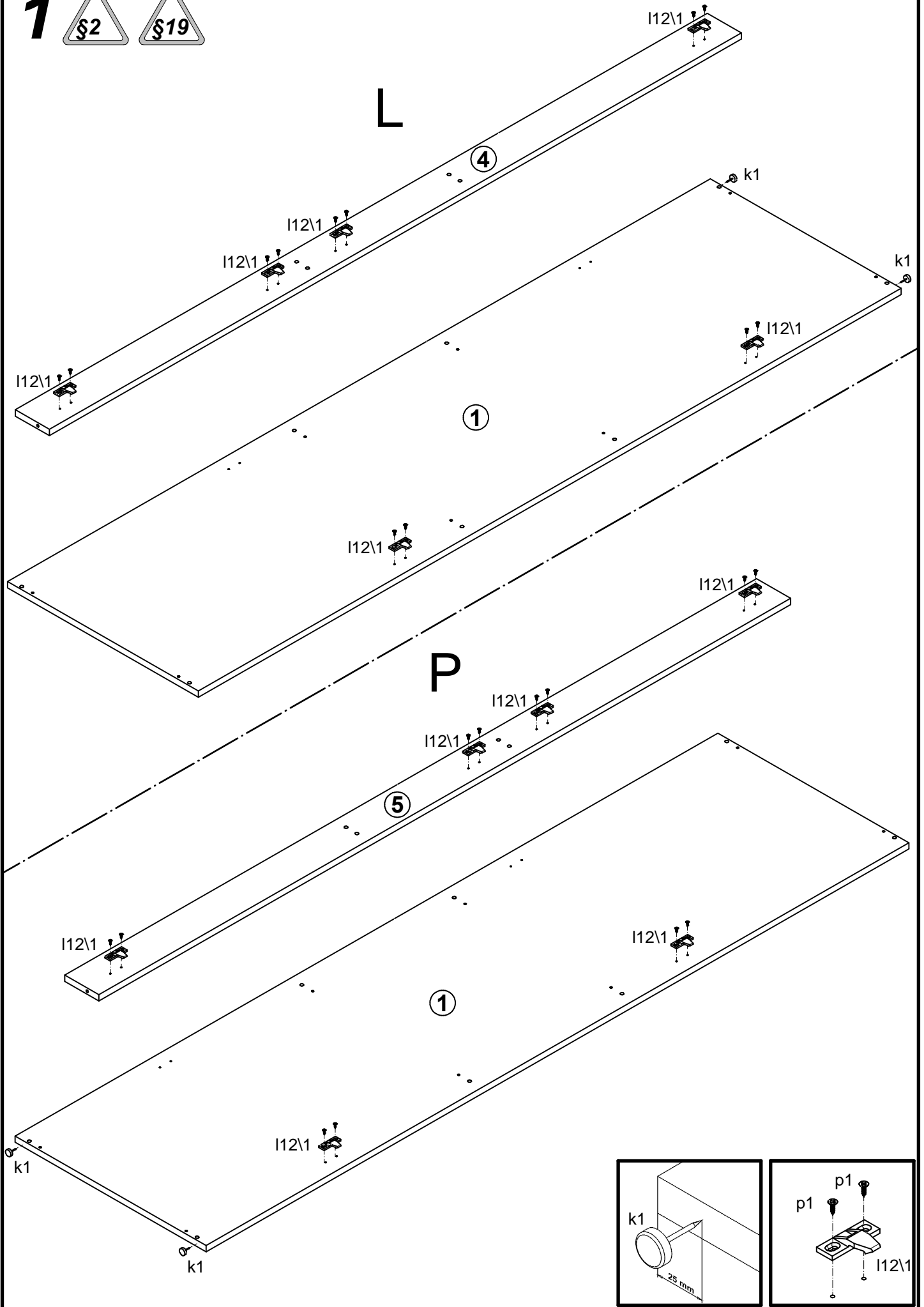


P

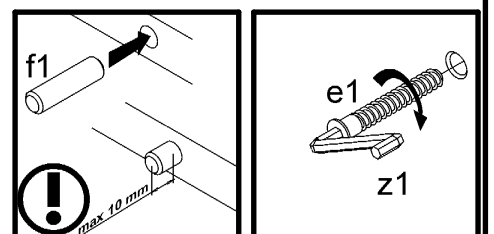
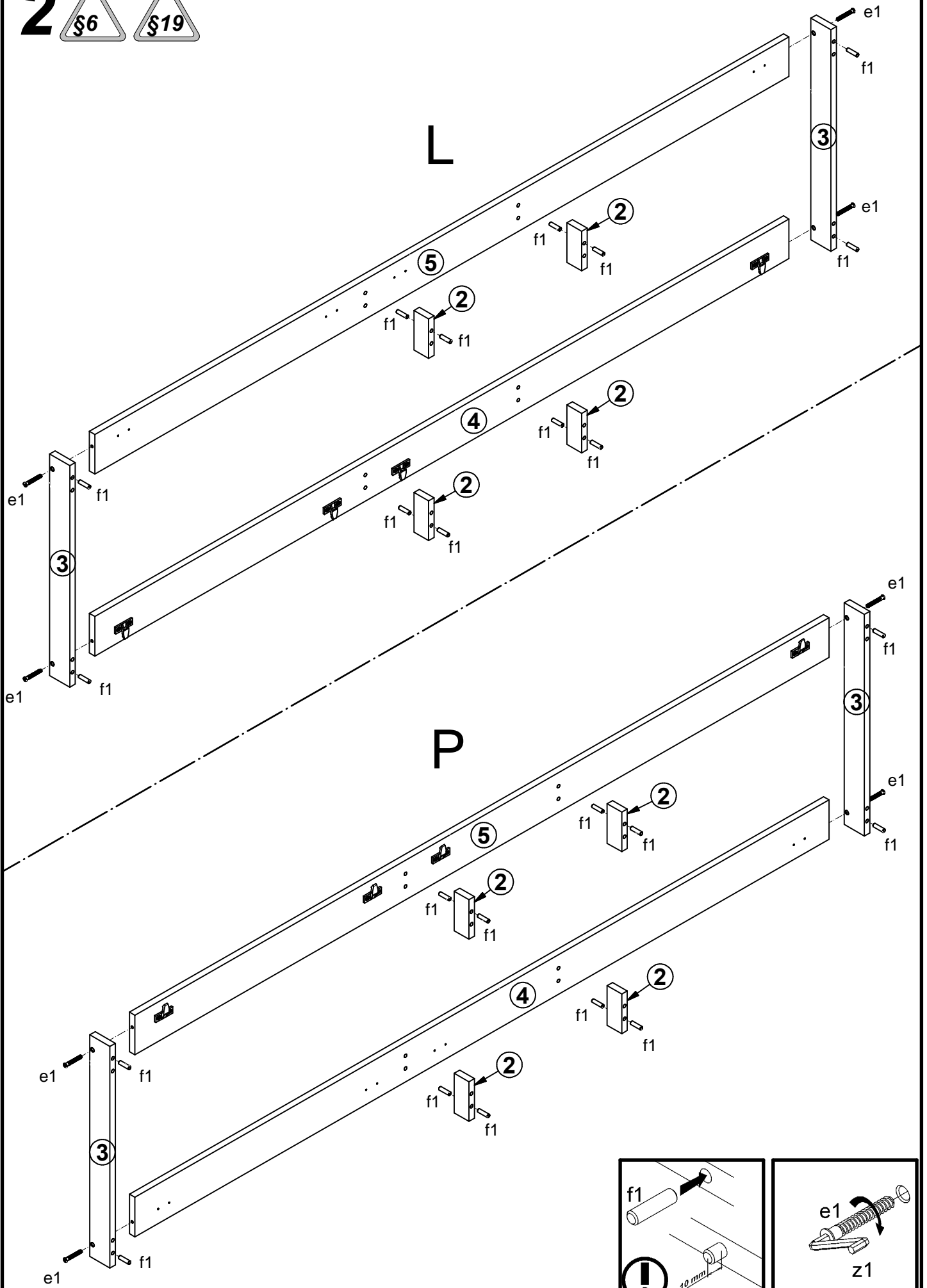


- 4x  e1
Ø7x50 mm
- 8x  e27
Ø7x70 mm
- 12x  f1
Ø8x30 mm
- 2x  k1
- 6x  I1211
- 6x  I1212
- 24x  p1
Ø3.5x13 mm
- 6x  p21
Ø4x30 mm
- 1x  z1

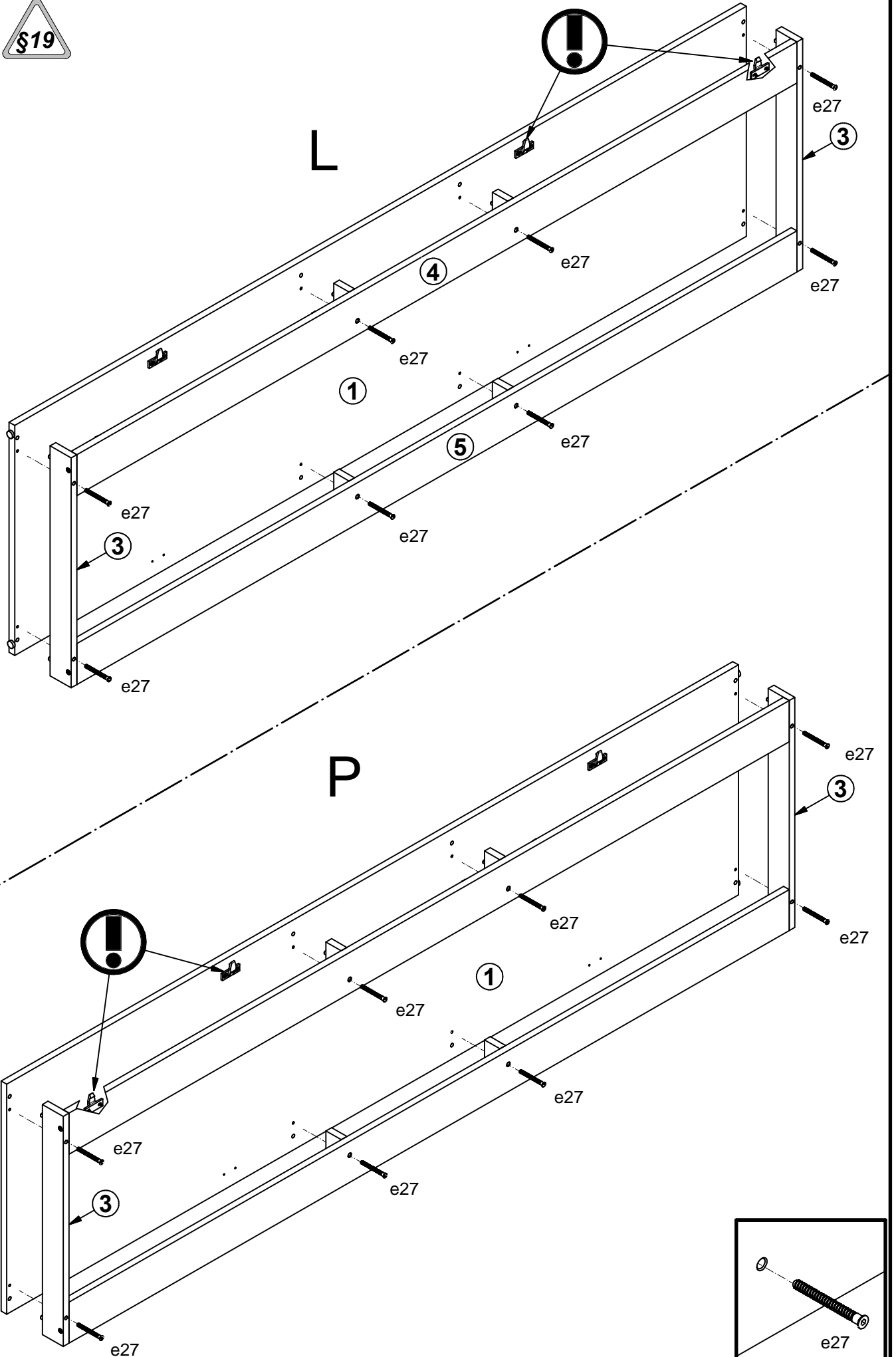
1



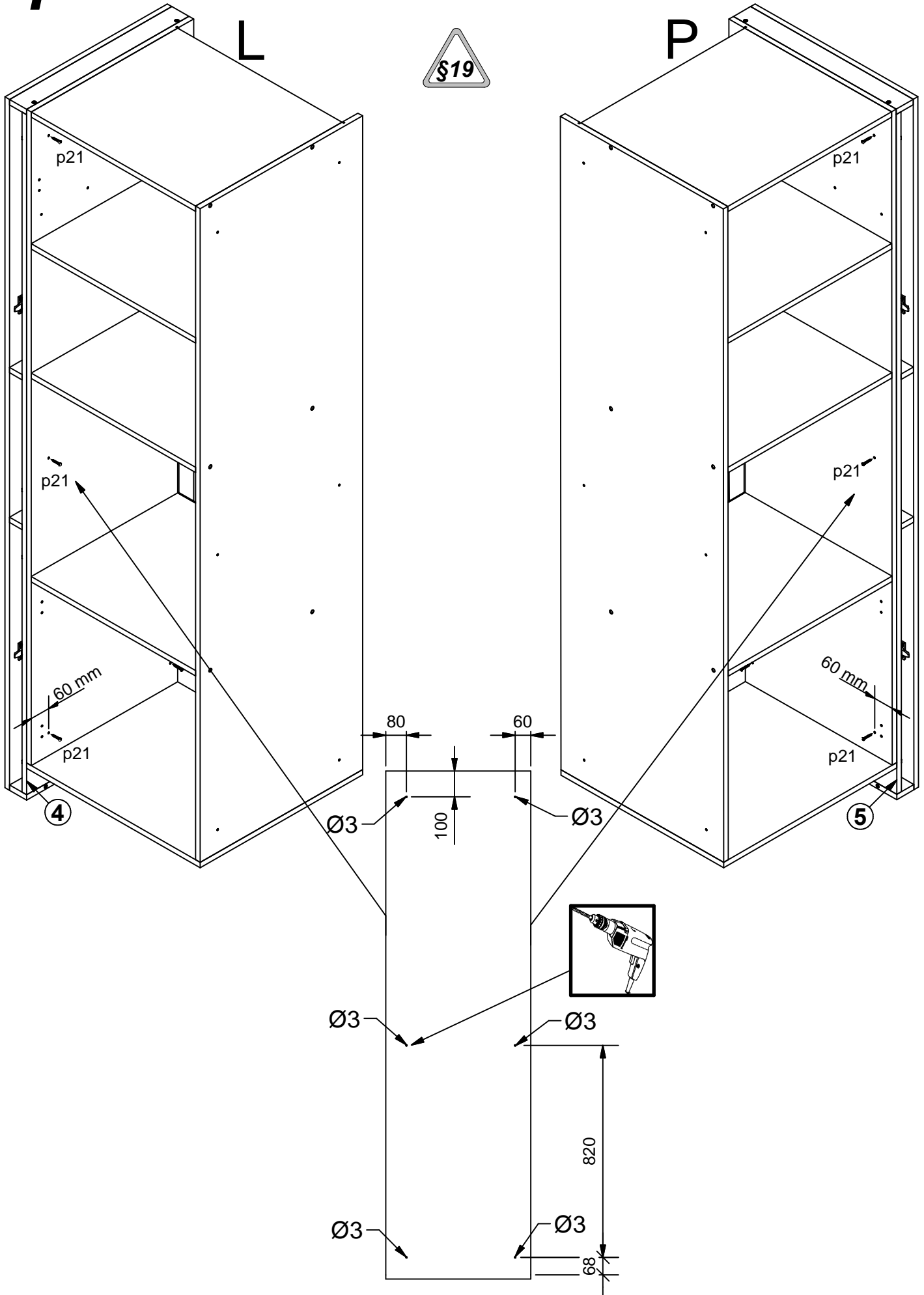
2 §6 §19



3



4

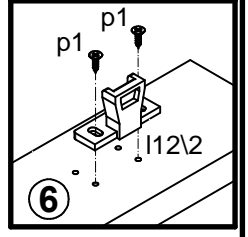
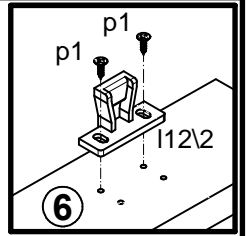
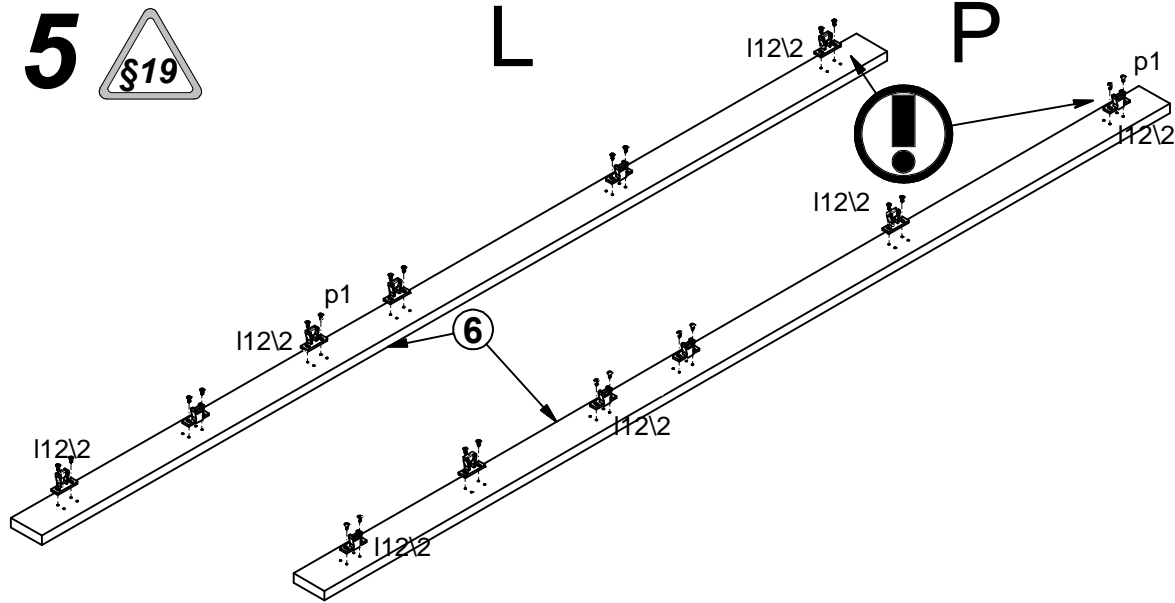


5



L

P

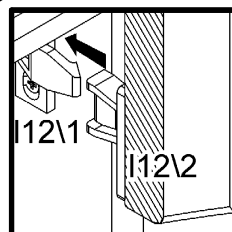
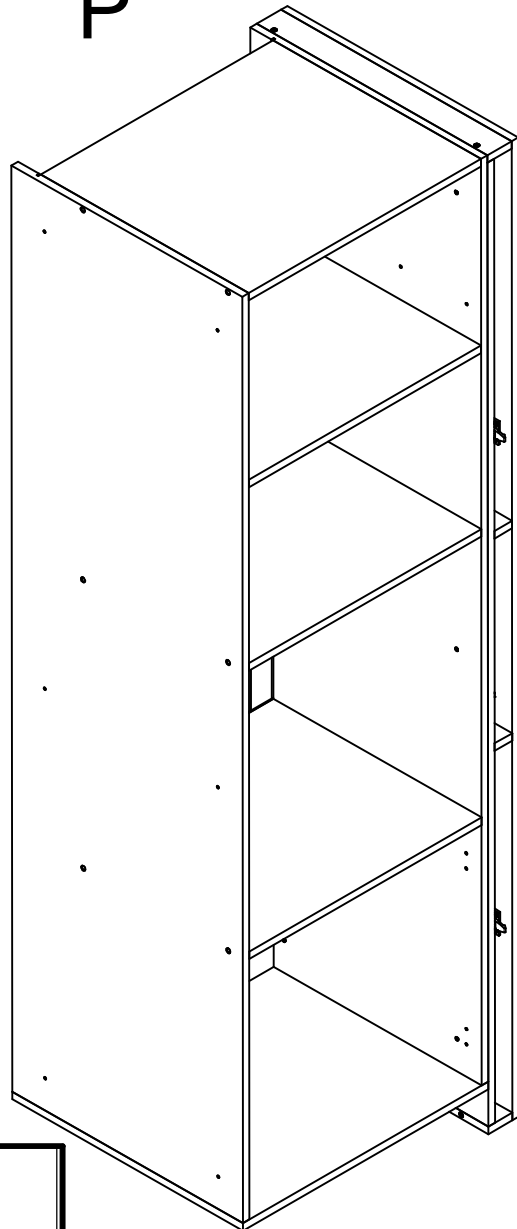
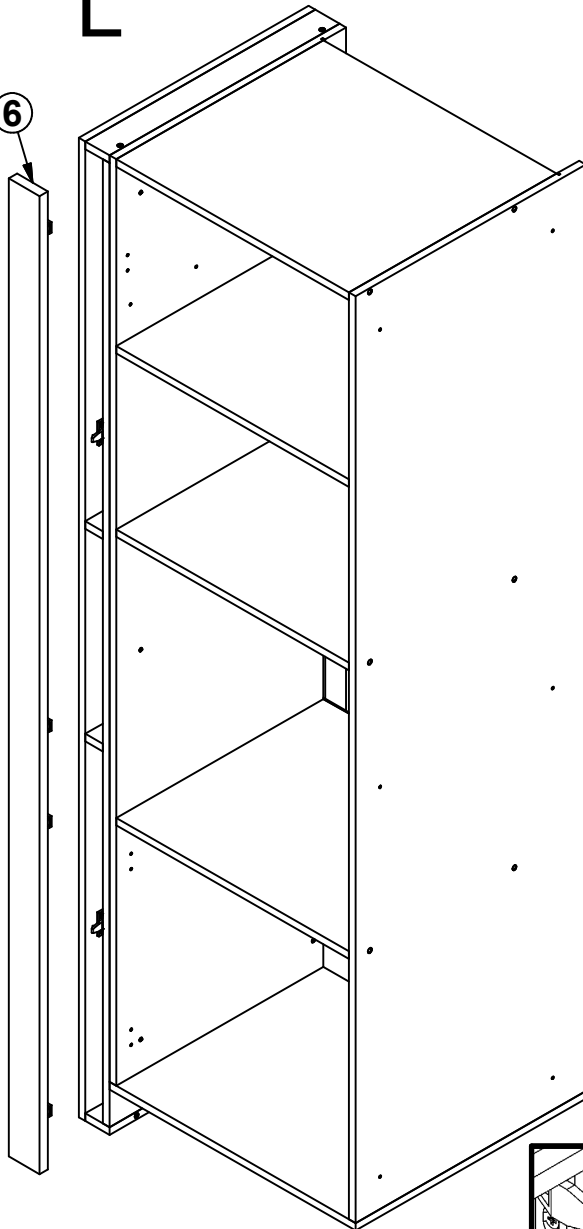


L

P

6

6

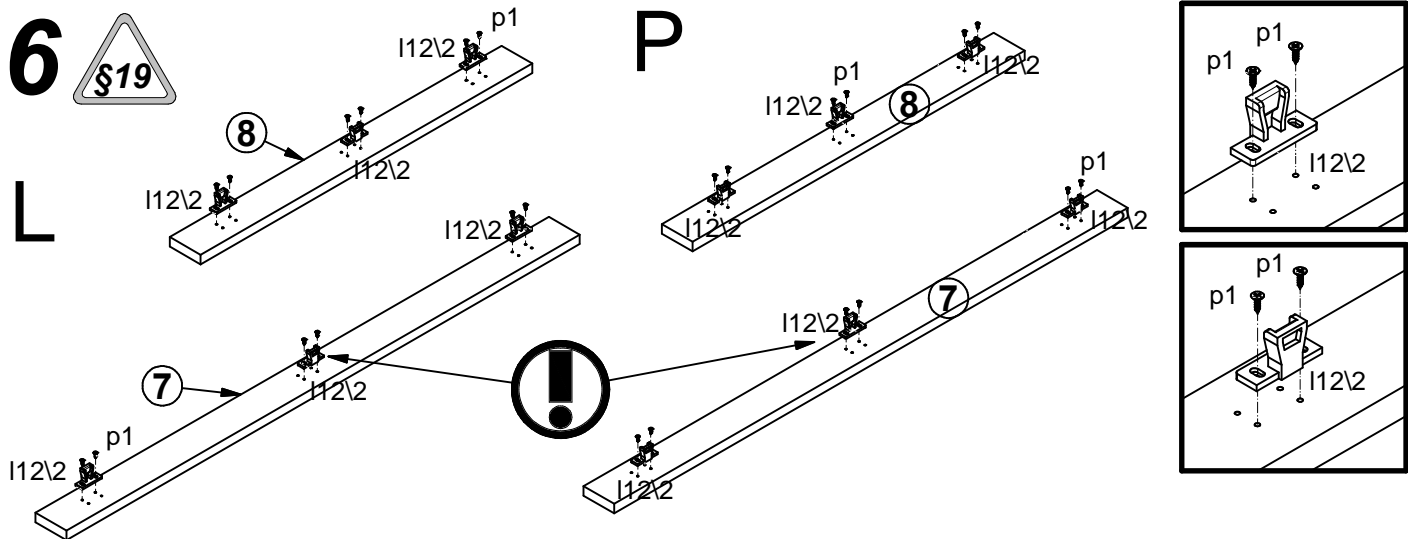


6



L

P



L

P

