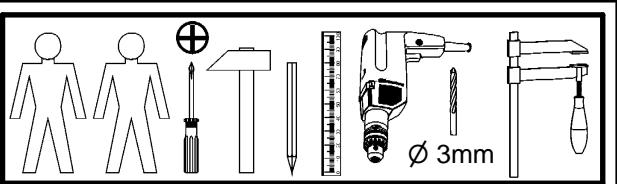
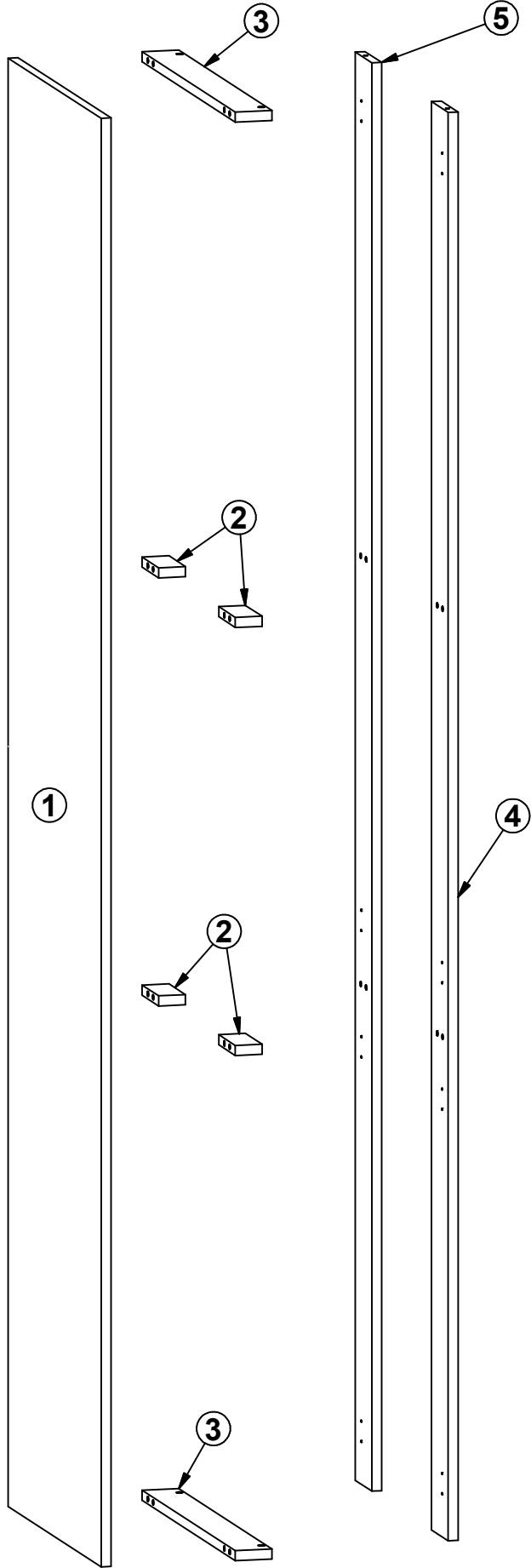
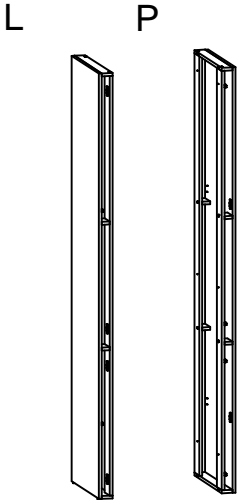
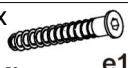
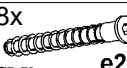
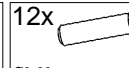
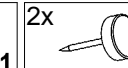
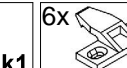
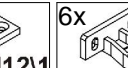
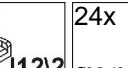
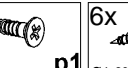



A	B	C	D
1	K04-2006	2291	560
2	K04-3377	43	100
3	K04-3394	59	560
4	K04-3454	2259	100
5	K04-3455	2259	100
6		2288	75
7		808	75
8		1480	75



- 4x  e1  
Ø7x50 mm
- 8x  e27  
Ø7x70 mm
- 12x  f1  
Ø8x30 mm
- 2x  k1
- 6x  l121
- 6x  l122
- 24x  p1  
Ø3.5x13 mm
- 6x  p21  
Ø4x30 mm
- 1x  z1

1



L

I12\1

4

I12\1

I12\1

k1

k1

I12\1

I12\1

1

I12\1

P

I12\1

I12\1

I12\1

5

I12\1

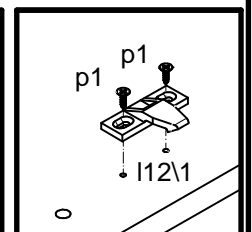
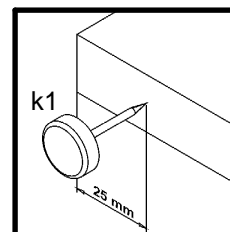
1

I12\1

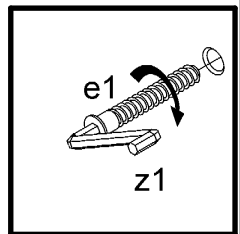
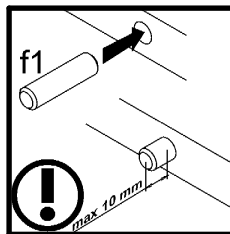
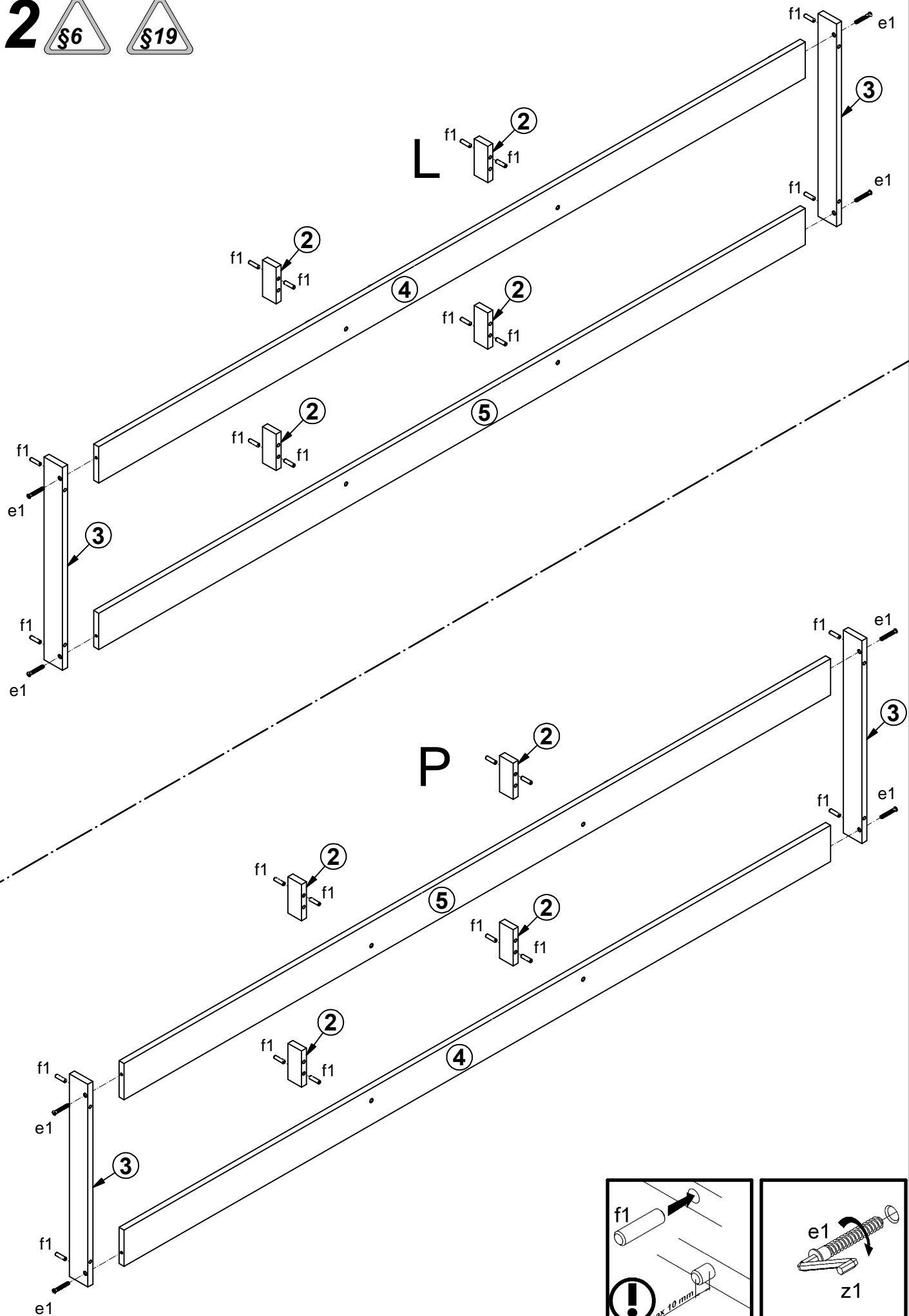
I12\1

k1

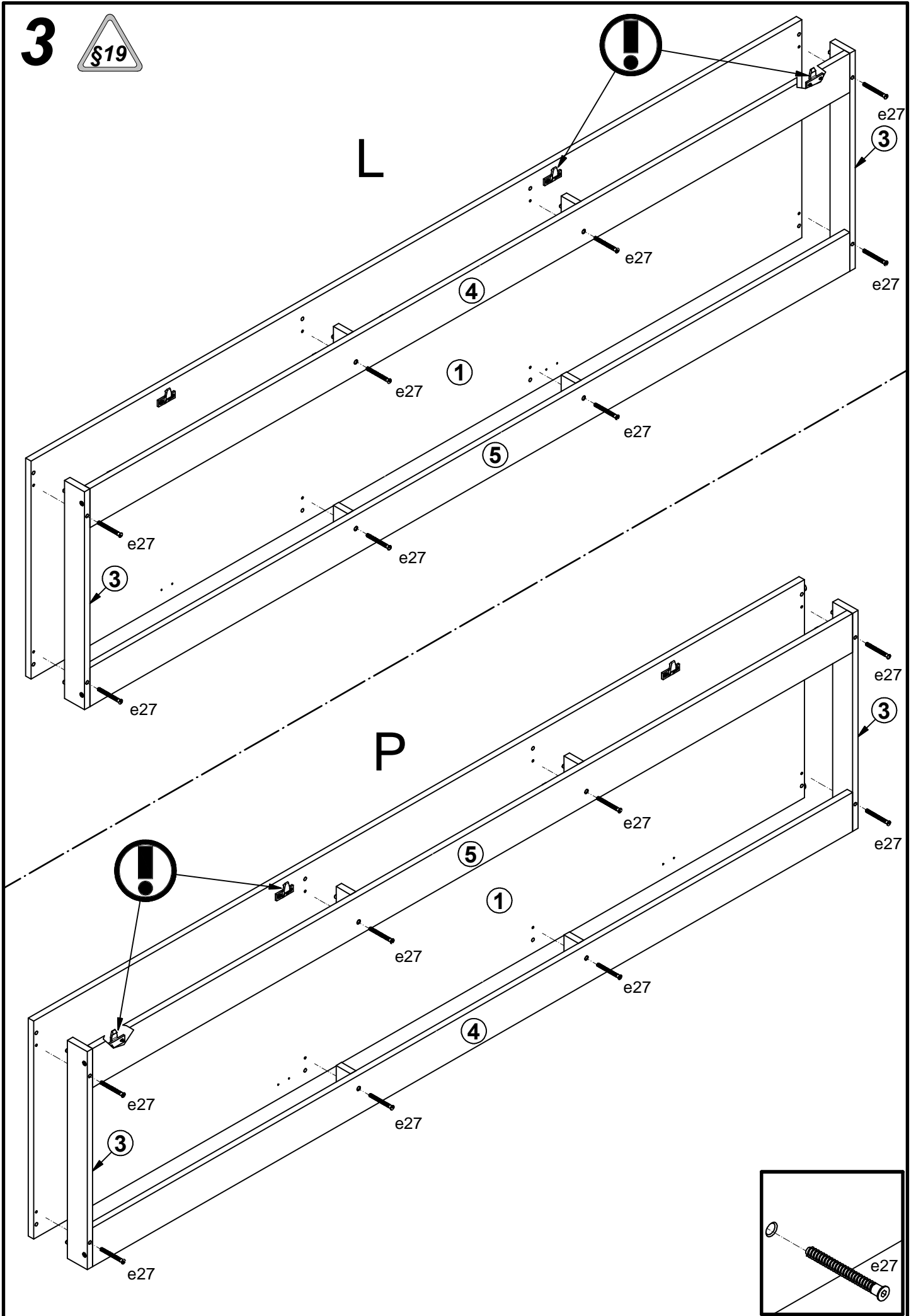
k1



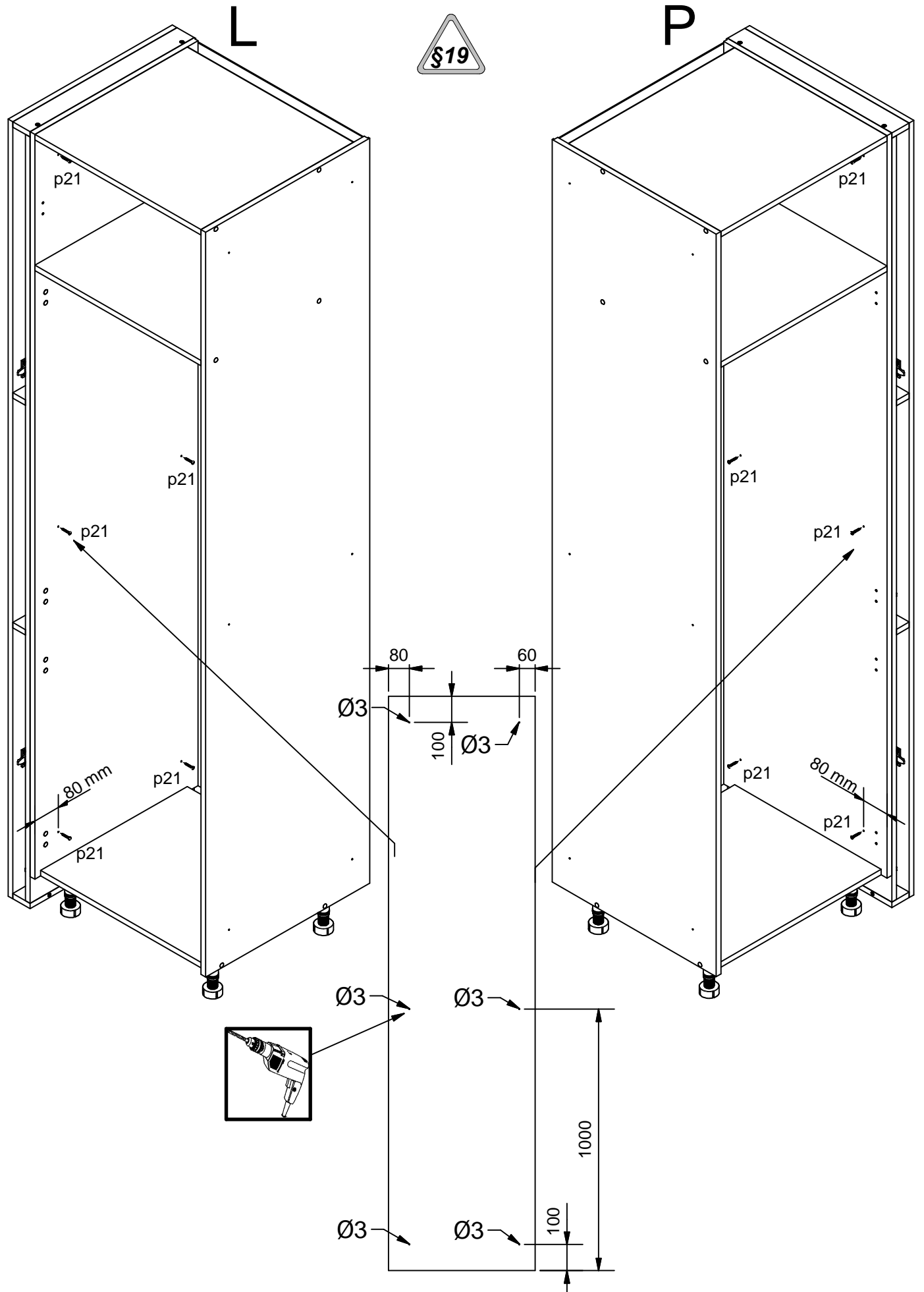
# 2



# 3



4



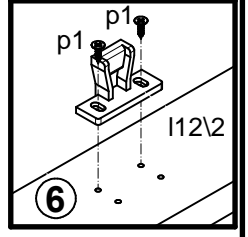
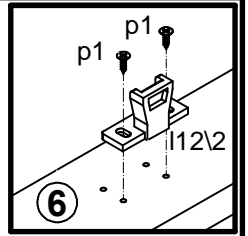
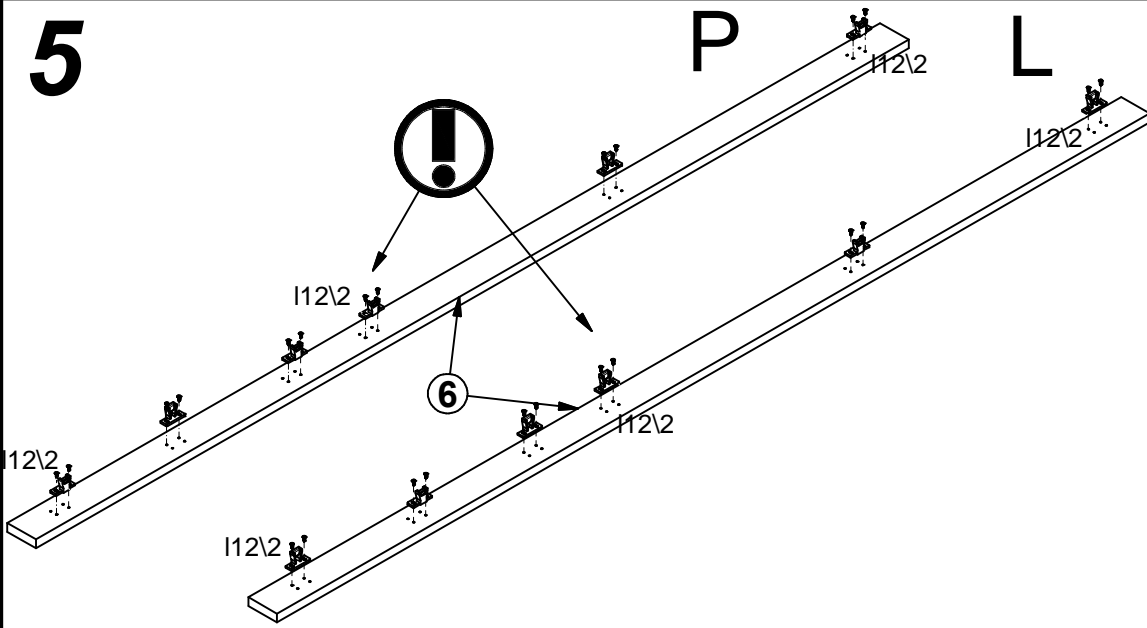
§19



# 5

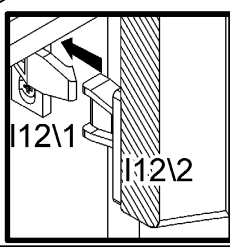
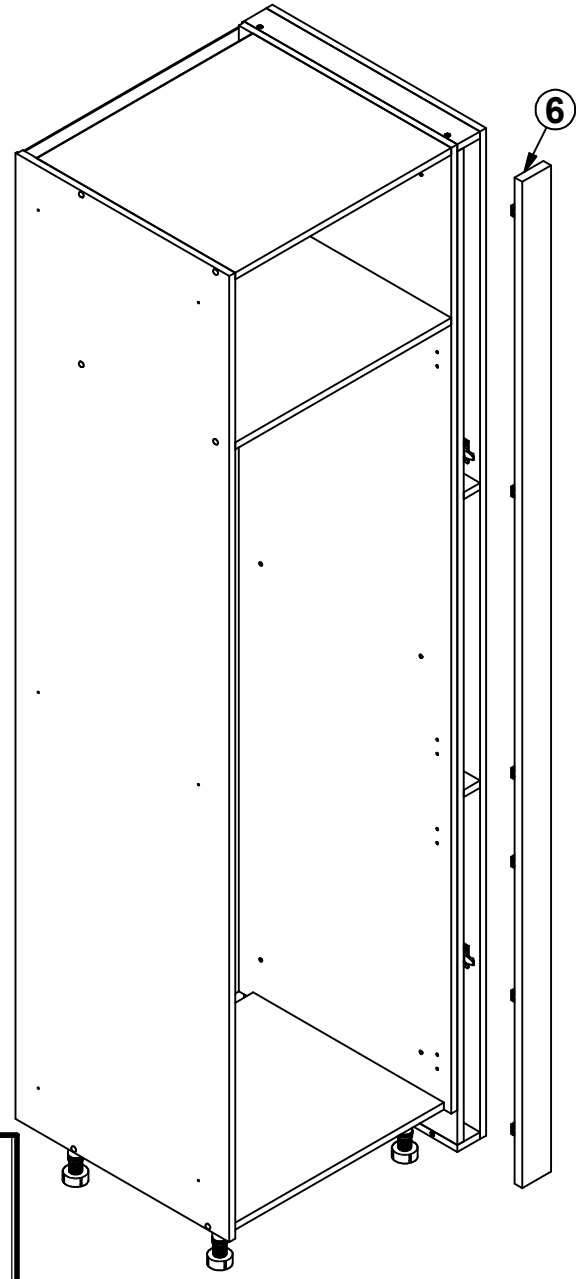
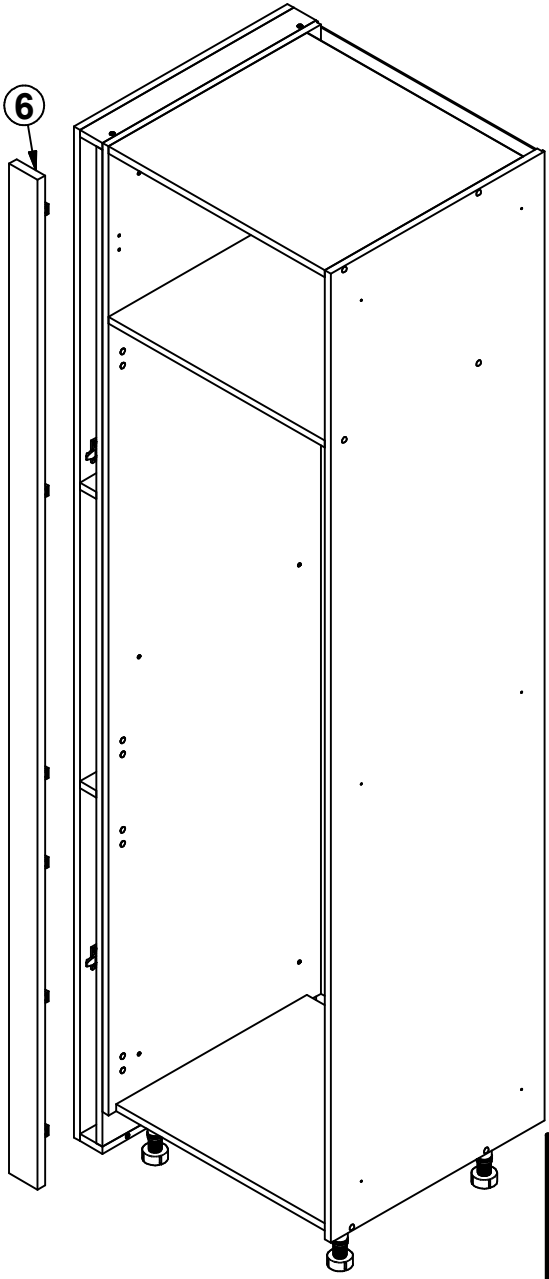
# P

# L



# L

# P



6

