

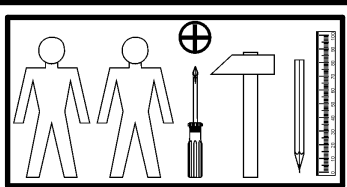
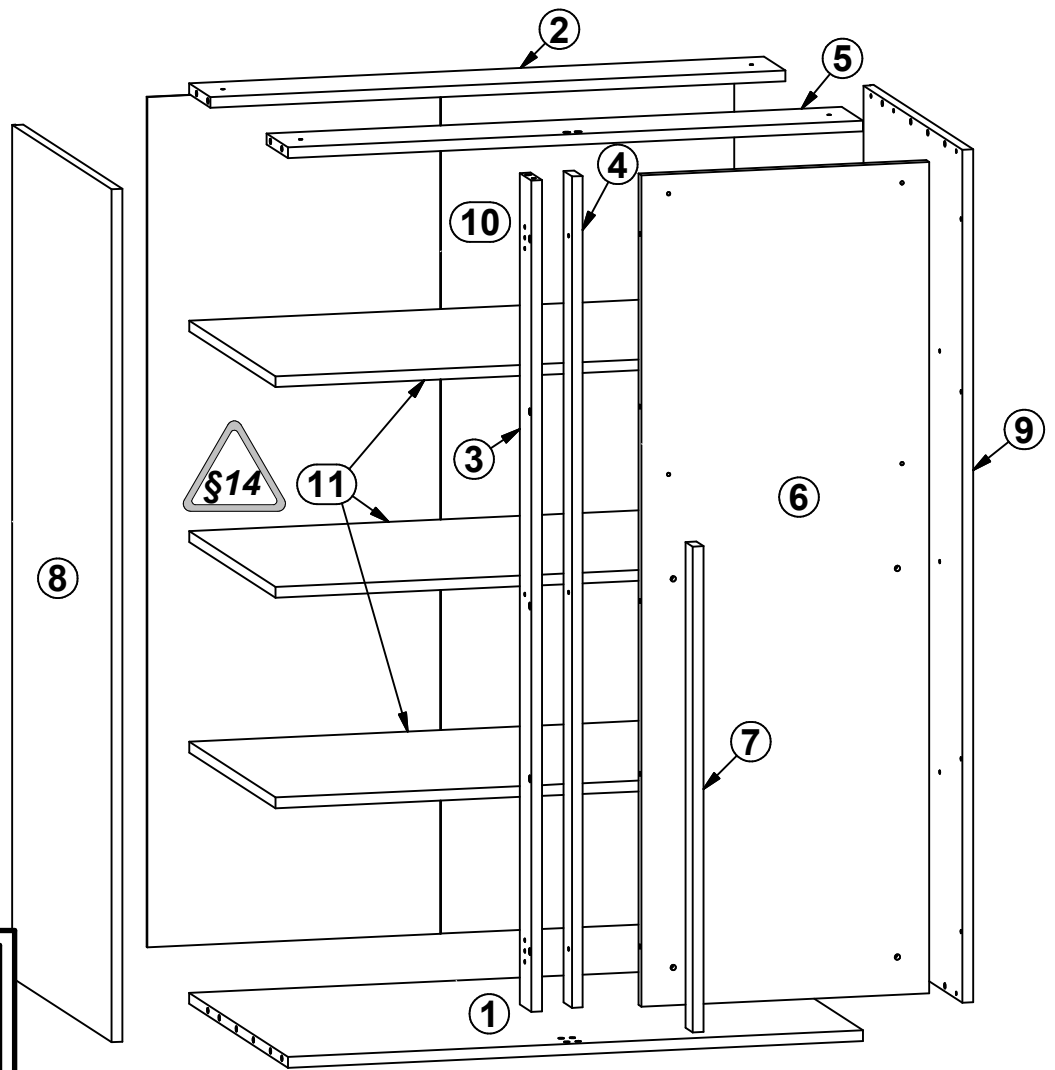
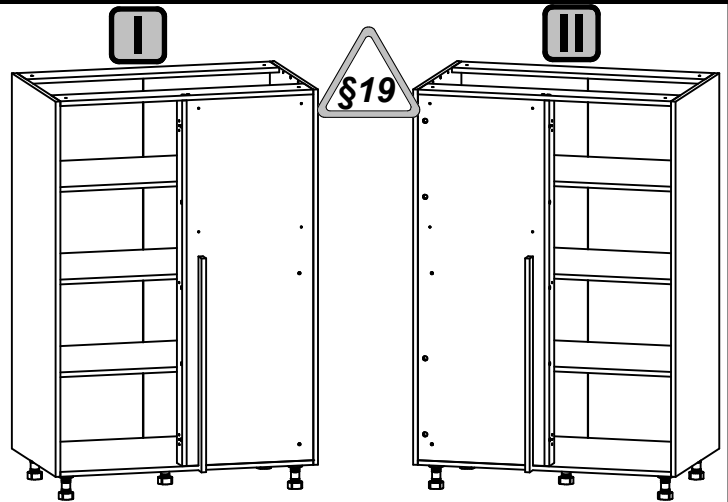
A

SPK

K04-DNW-105/136

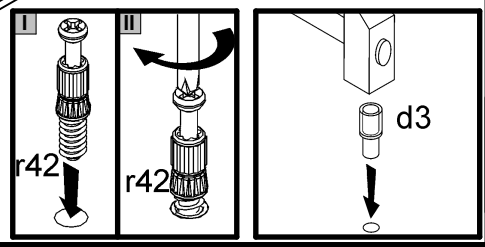
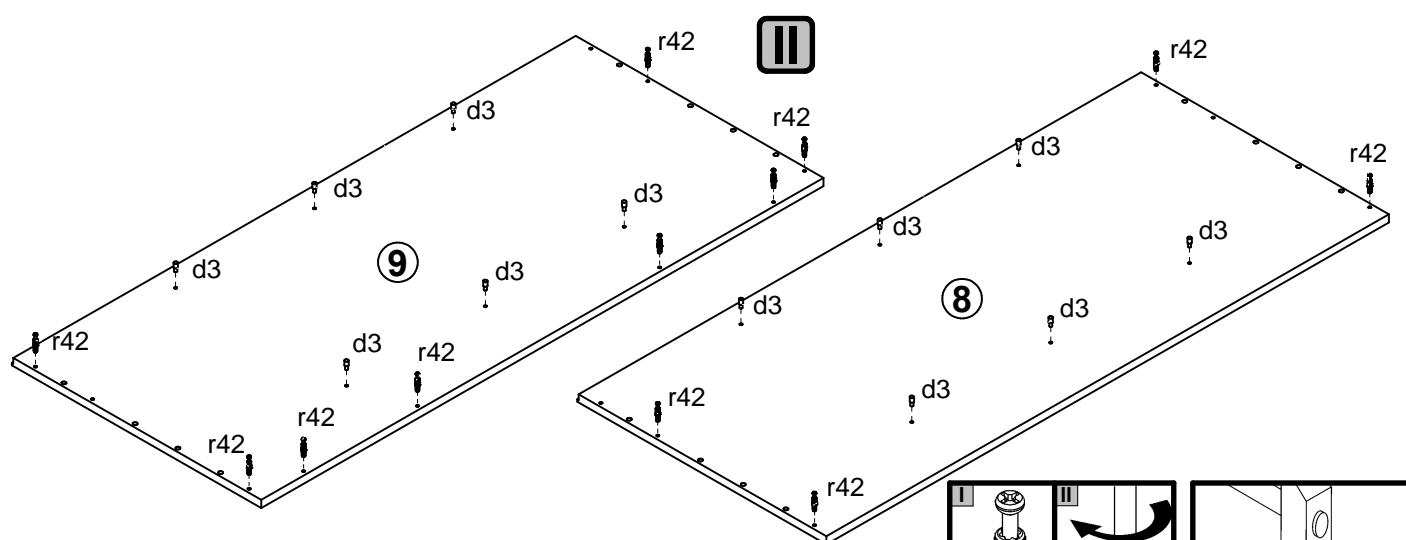
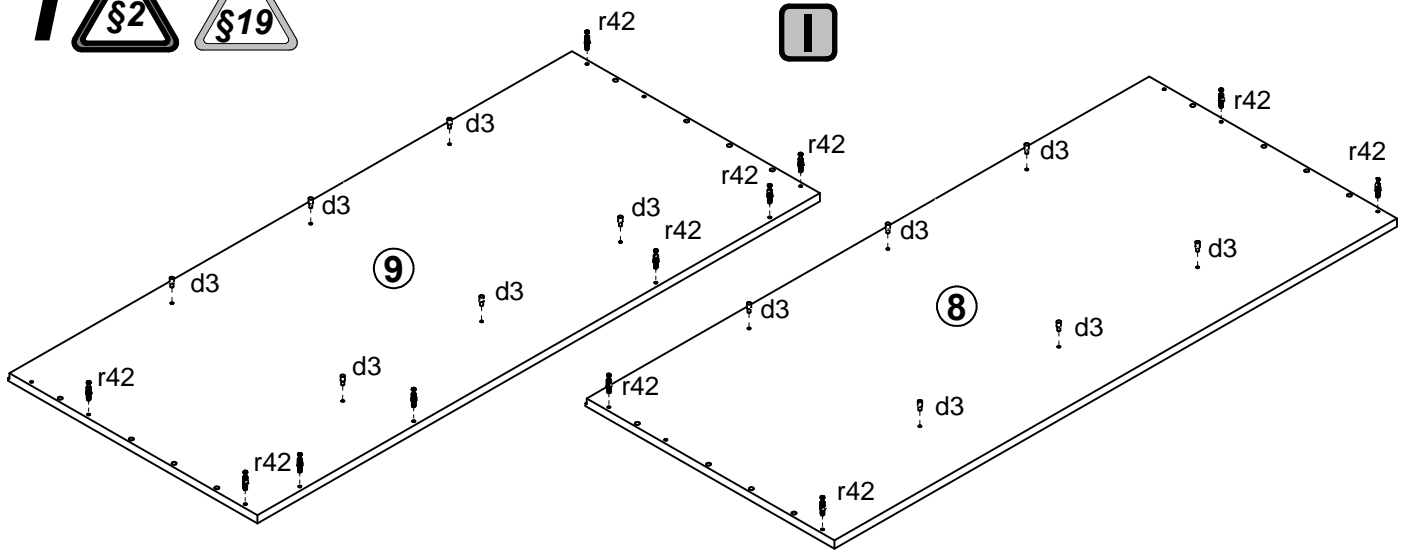
A	B	C	D
1	K04-3301	867	557
2	K04-3434	867	120
3	K04-3437	1232	65
4	K04-3438	1232	47
5	K04-3441	867	120
6	K04-3473	1232	434
7	K04-3474	720	40
8	K04-4160	1264	560
9	K04-4161	1264	560
10	K04-9904	1260	885

A	B	C	D
11	K04-373	867	485

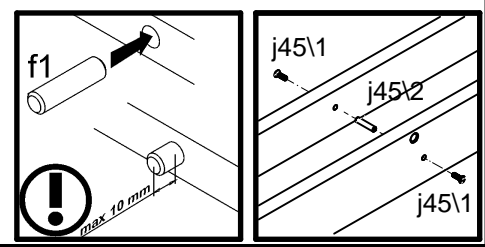
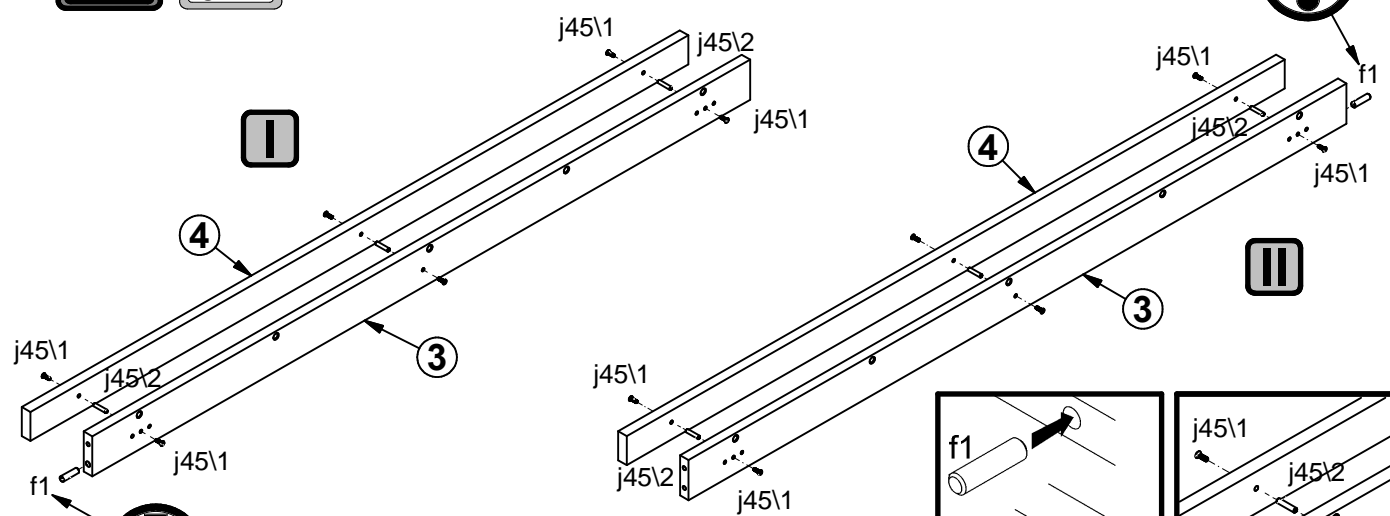


2x a64	2x b9	12x Ø5x17 mm d3	10x Ø7x50 mm e1	4x Ø6.3x13 mm e2	13x Ø8x30 mm f1	18x M4x12 mm j45\1	9x j45\2	5x k7\1
5x k7\2	5x k7\3	4x k7\4	55x l1	8x Ø3.5x13 mm p1	4x Ø4x30 mm p21	4x Ø3.5x15 mm p51	6x Ø4x28 mm p94	12x Ø15x12 mm #16 r1
12x r42	2x silikon o21	1x z1						

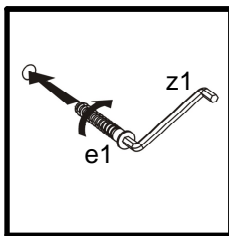
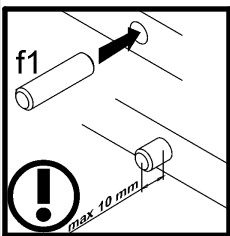
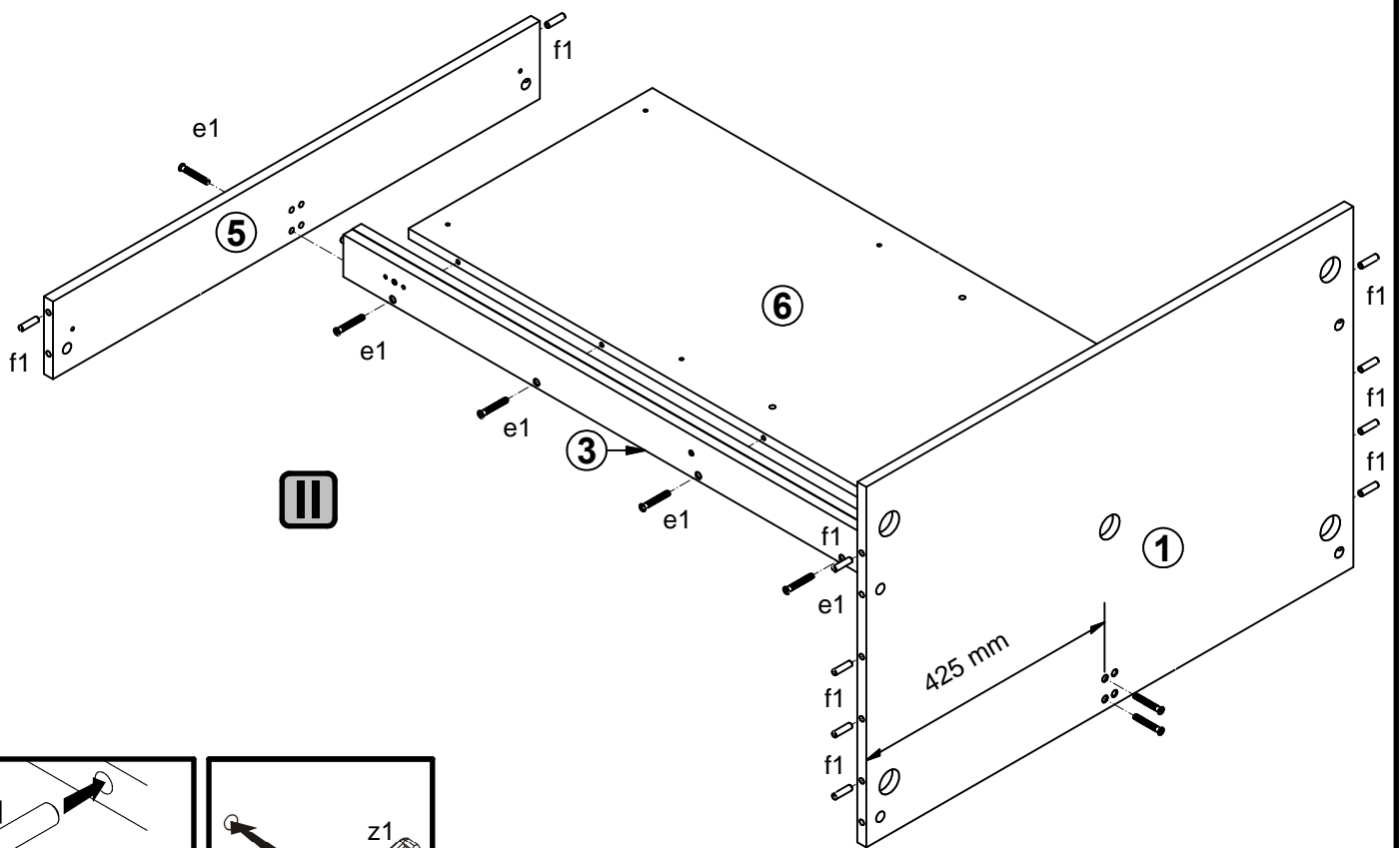
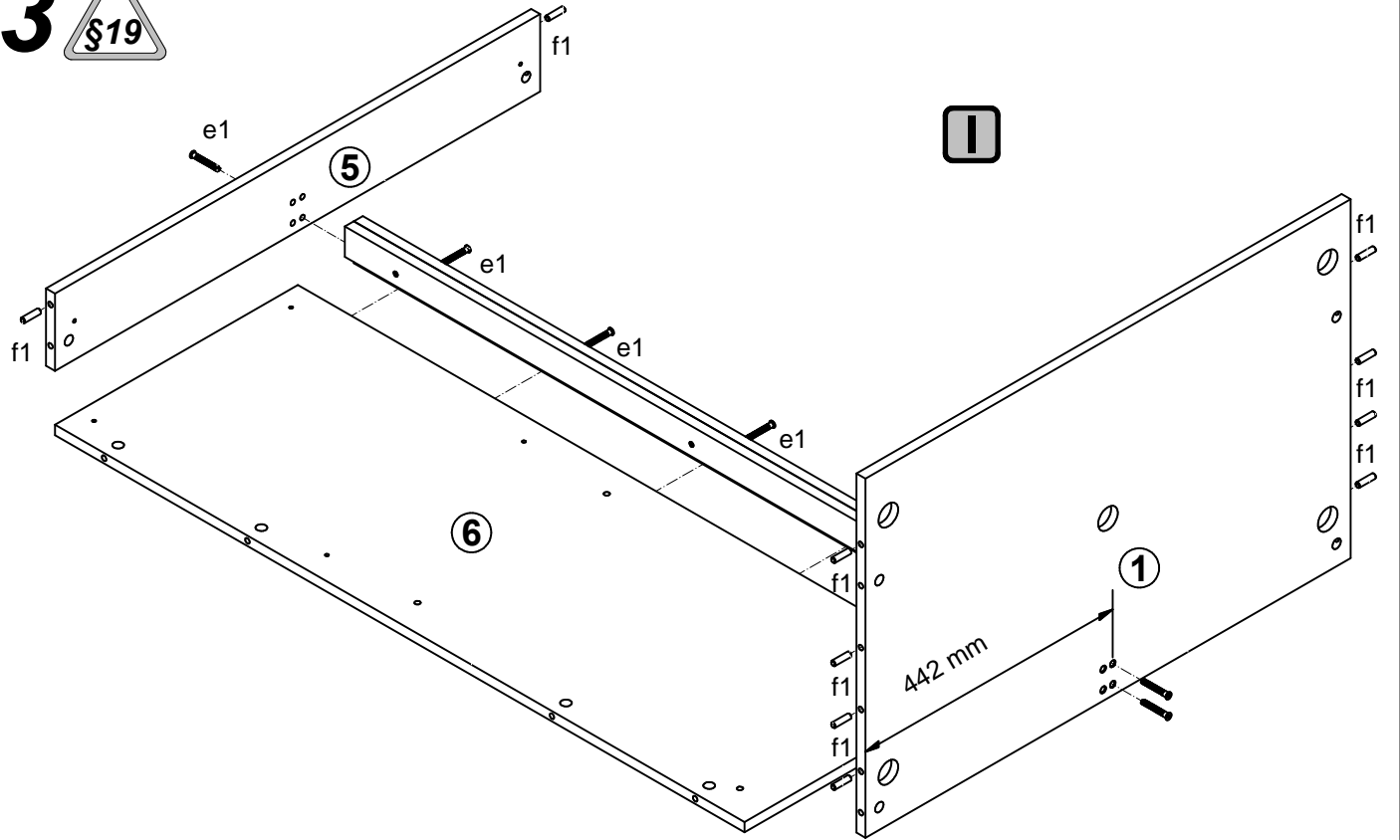
1  



2  



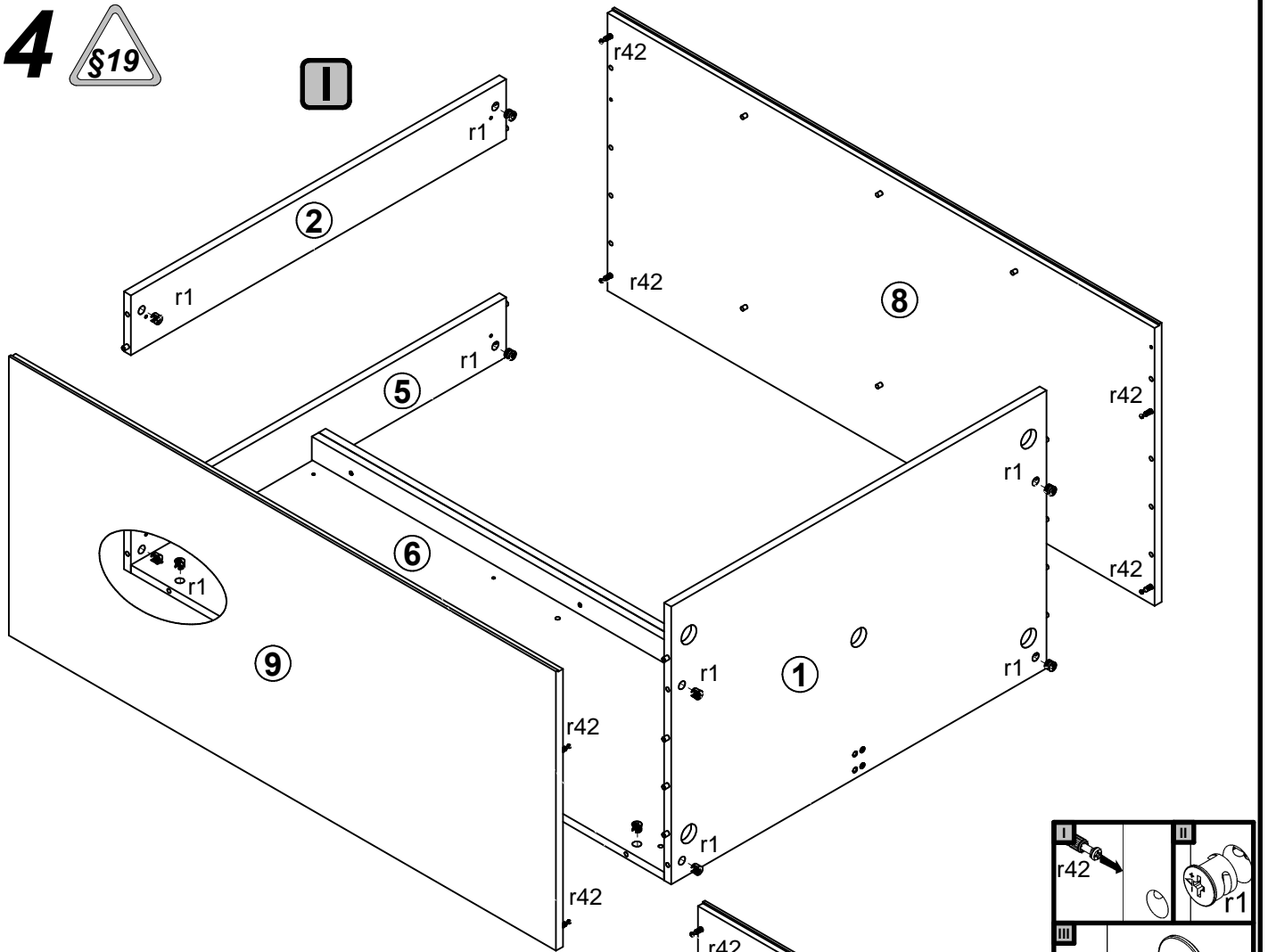
3 §19



4



I



III

