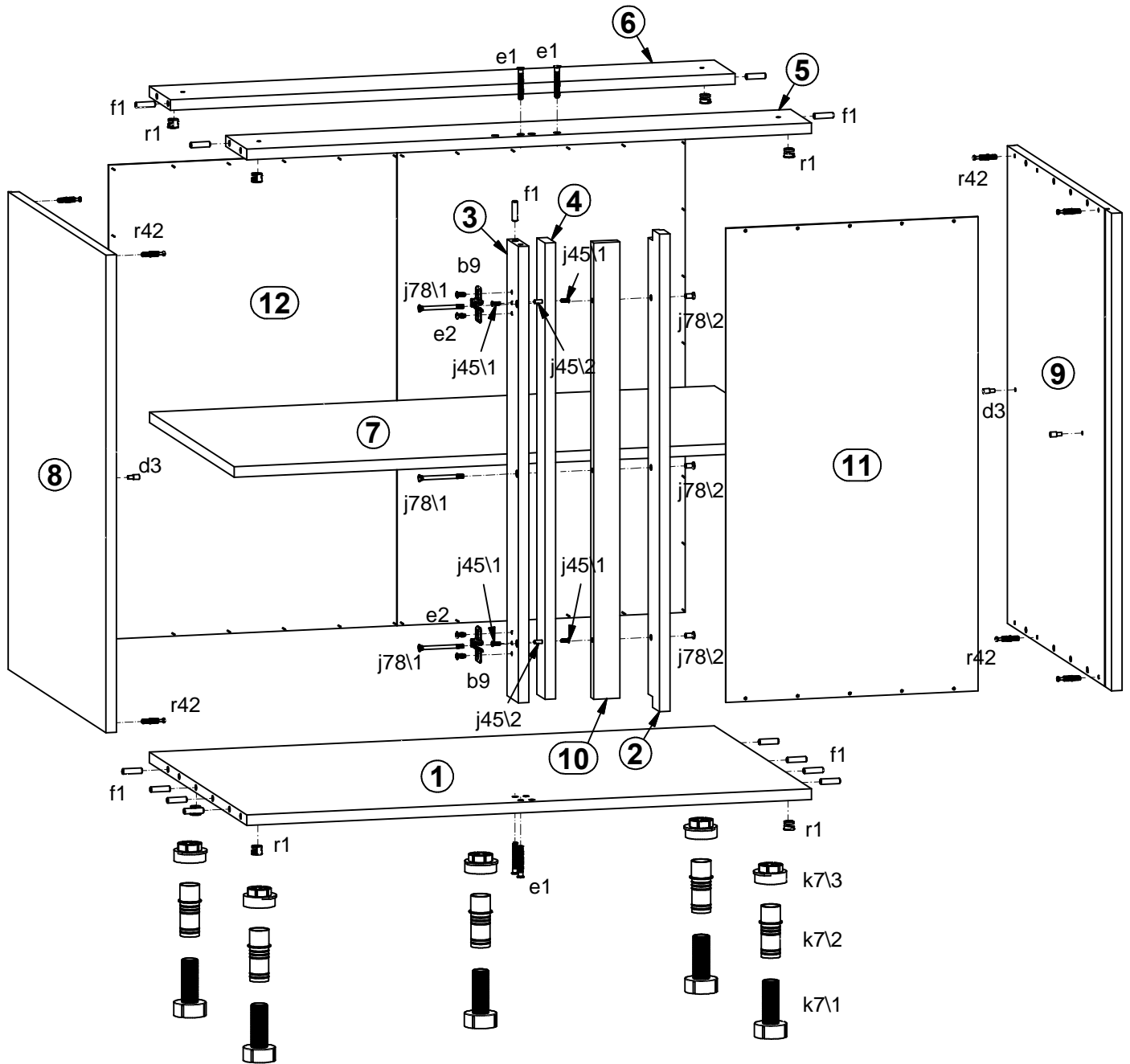
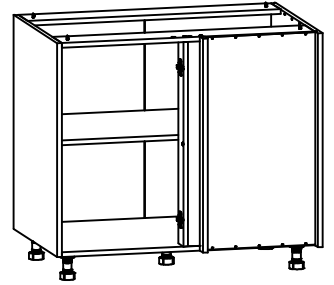


SPK

K04-DNW-105/82-L

A	B	C	D	A	B	C	D		
1	K04-3301	867	557	1/1	7	K04-373	867	485	1/1
2	K04-3428	720	65	1/1	8	K04-4141	720	560	1/1
3	K04-3429	688	65	1/1	9	K04-4142	720	600	1/1
4	K04-3430	688	47	1/1	10	K04-429	688	40	1/1
5	K04-3433	867	120	1/1	11	K04-915	715	387	1/1
6	K04-3434	867	120	1/1	12	K04-9902	715	885	1/1

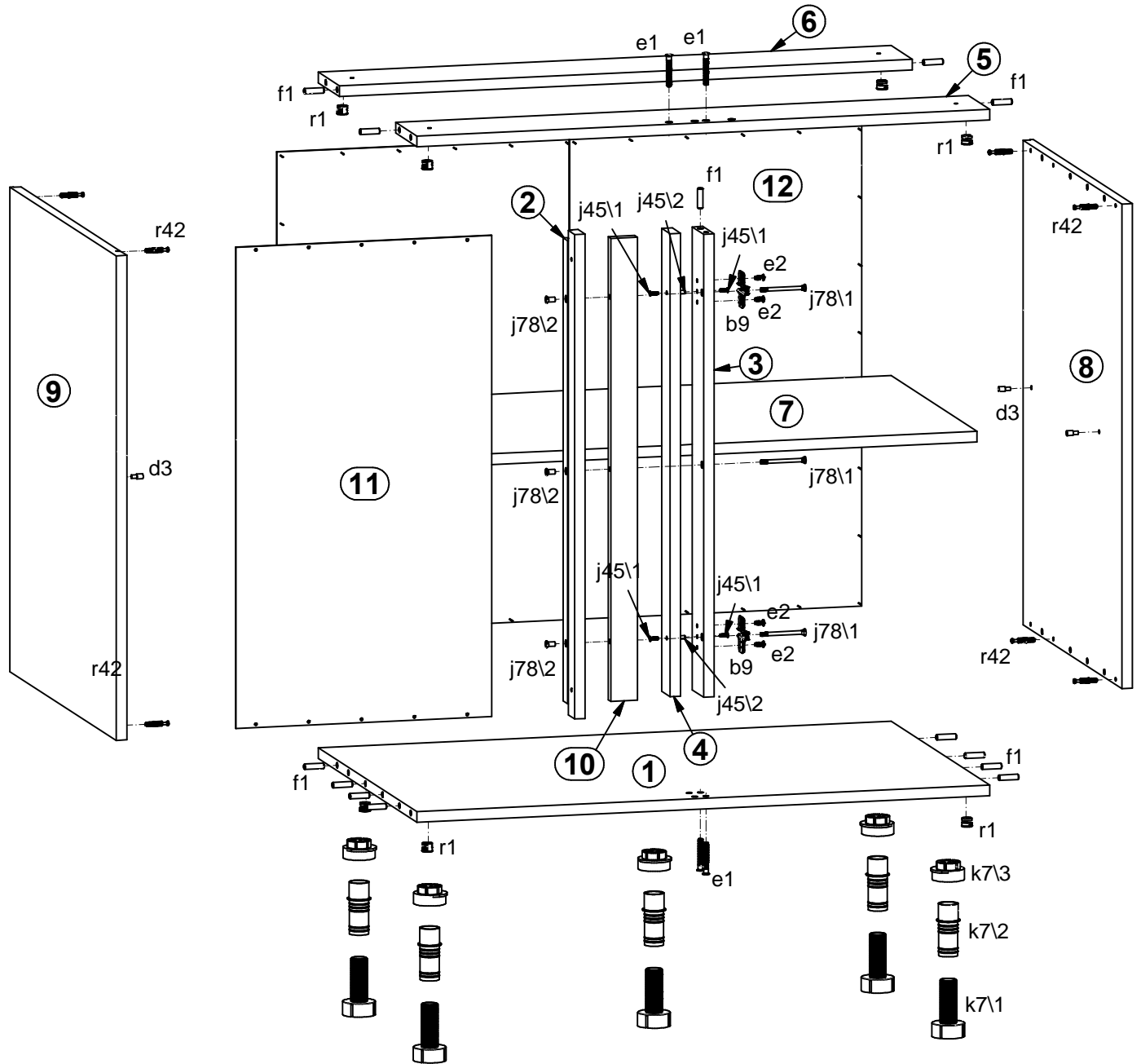
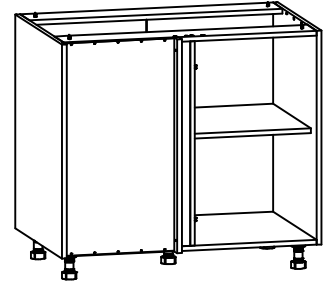


2x a64	2x b9	4x d3 φ5x17 mm	4x e1 φ7x50 mm	4x e2 φ6,3x13 mm	13x f1 φ8x30 mm	10x j45\1 M4x12 mm	5x j45\2	3x j78\1 M5x62 mm	
3x j78\2 φ6,5x13 mm	5x k7\1	5x k7\2	5x k7\3	4x k7\4	40x l1	2x o21 silikon	8x p1 φ3,5x13 mm	4x p21 φ4x30 mm	
4x p51 φ3,5x15 mm	8x r1 φ15x12mm #16	8x r42	1x z1						

SPK

K04-DNW-105/82-P

A	B	C	D	A	B	C	D		
1	K04-3301	867	557	1/1	7	K04-373	867	485	1/1
2	K04-3428	720	65	1/1	8	K04-4141	720	560	1/1
3	K04-3429	688	65	1/1	9	K04-4142	720	600	1/1
4	K04-3430	688	47	1/1	10	K04-429	688	40	1/1
5	K04-3433	867	120	1/1	11	K04-915	715	387	1/1
6	K04-3434	867	120	1/1	12	K04-9902	715	885	1/1



2x a64	2x b9	4x d3 φ5x17 mm	4x e1 φ7x50 mm	4x e2 φ6,3x13 mm	13x f1 φ8x30 mm	10x j45\1 M4x12 mm	5x j45\2	3x j78\1 M5x62 mm
3x j78\2 φ6,5/M5x13 mm	5x k7\1	5x k7\2	5x k7\3	4x k7\4	40x l1	2x o21 silikon	8x p1 φ3,5x13 mm	4x p21 φ4x30 mm
4x p51 φ3,5x15 mm	8x r1 φ15x12mm #16	8x r42	1x z1					