

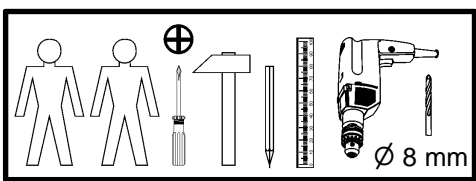
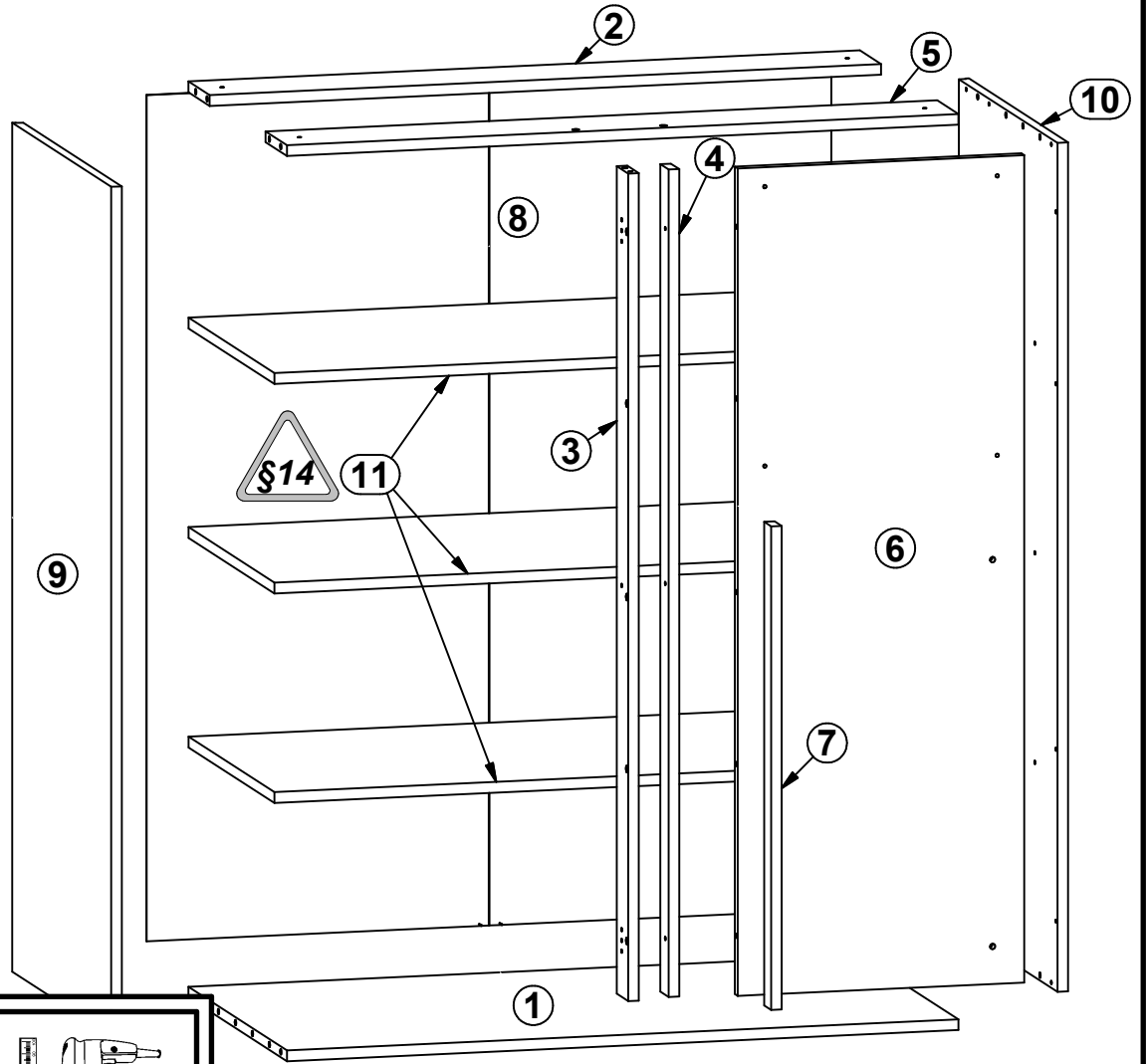
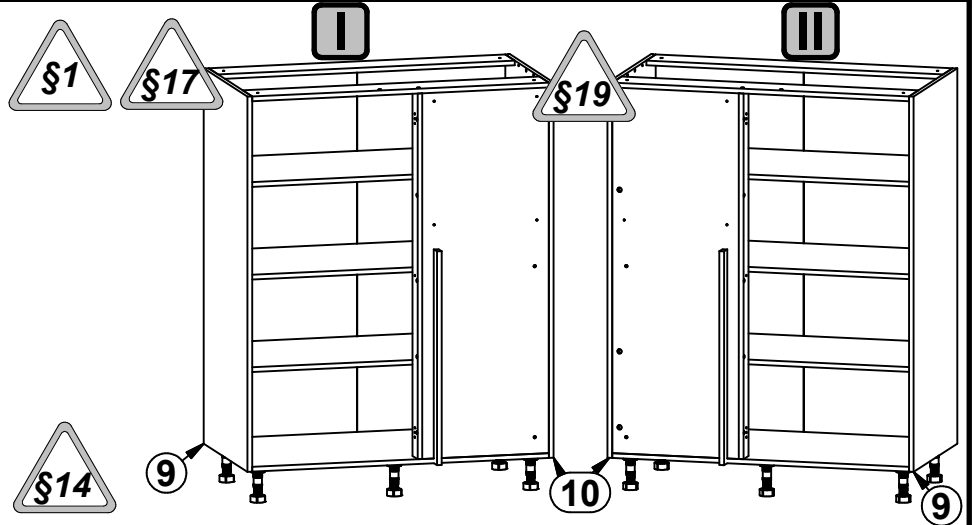
# A

# SPK

# K04-DNW-120/136

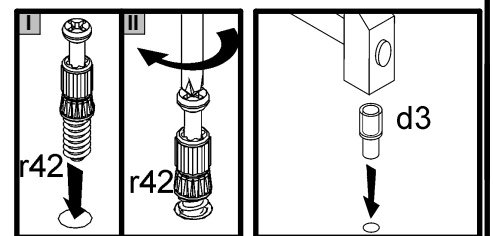
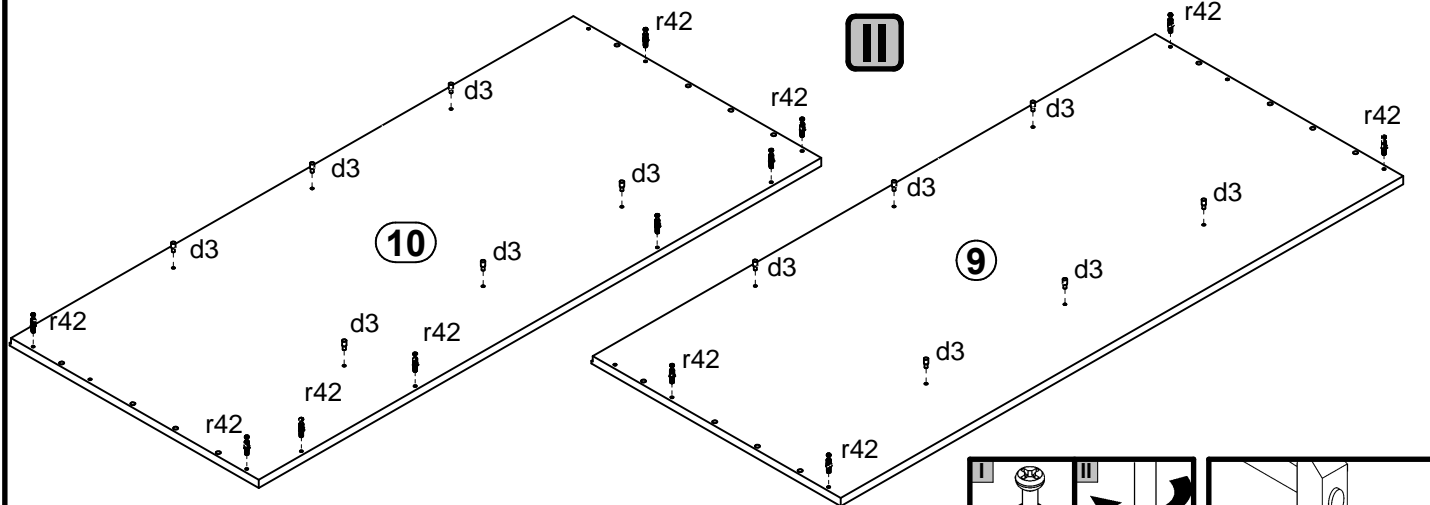
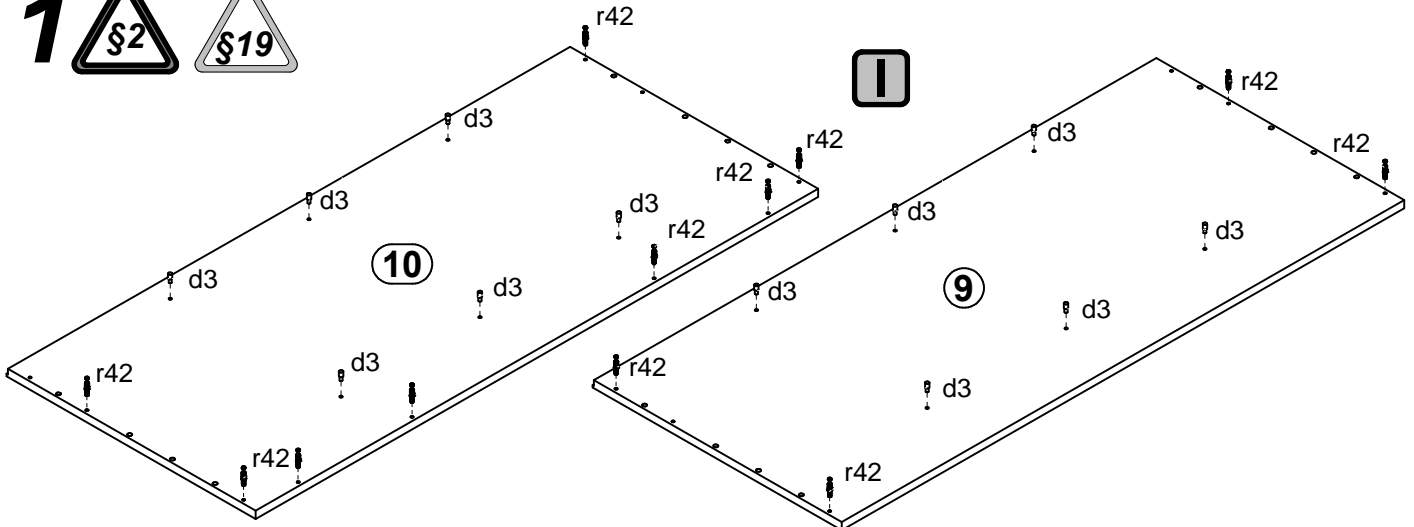
A	B	C	D
1	K04-3372	1017	557
2	K04-3432	1017	120
3	K04-3437	1232	65
4	K04-3438	1232	47
5	K04-3470	1017	120
6	K04-3473	1232	434
7	K04-3474	720	40
8	K04-3915	1260	1037
9	K04-4160	1264	560
10	K04-4161	1264	560

A	B	C	D
11	K04-3373	1017	485

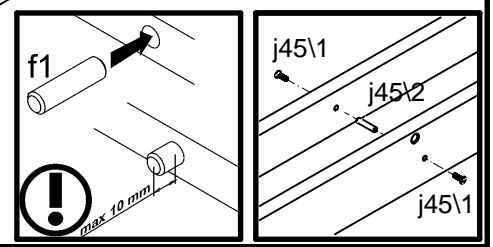
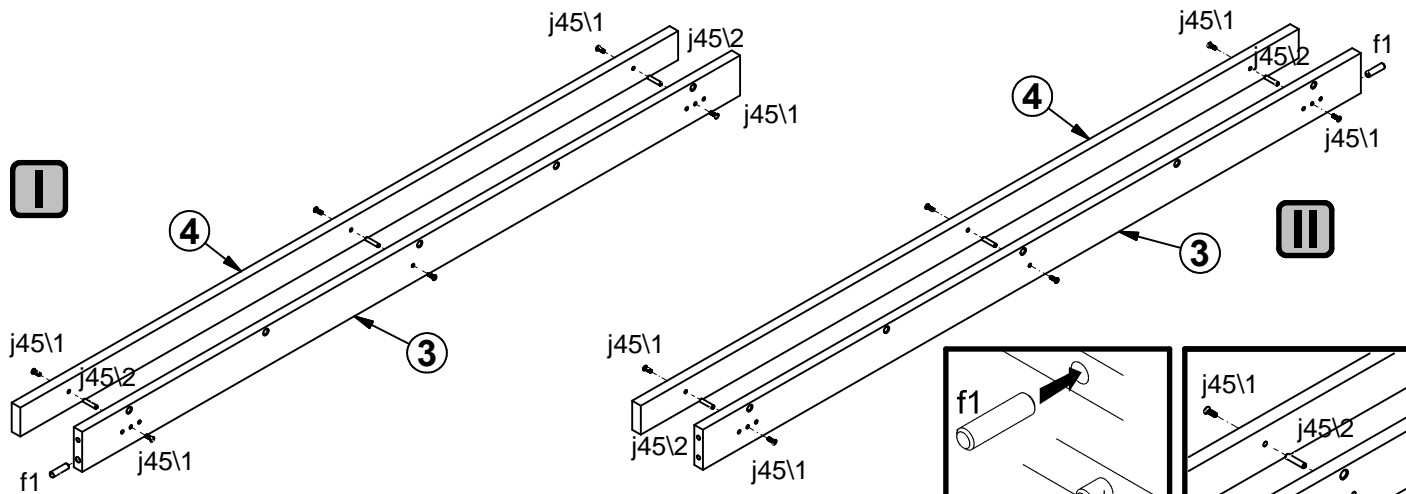


2x  a64	2x  b9	12x  Ø5x17 mm d3	10x  Ø7x50 mm e1	4x  Ø6.3x13 mm e2	13x  Ø8x30 mm f1	18x  M4x12 mm j45\1	9x  j45\2	5x  k7\1
5x  k7\2	5x  k7\3	4x  k7\4	55x  l1	8x  Ø3.5x13 mm p1	4x  Ø4x30 mm p21	4x  Ø3.5x15 mm p51	6x  Ø4x28 mm p94	12x  Ø15x12 mm #16 r1
12x  r42	2x  silikon o21	1x  z1						

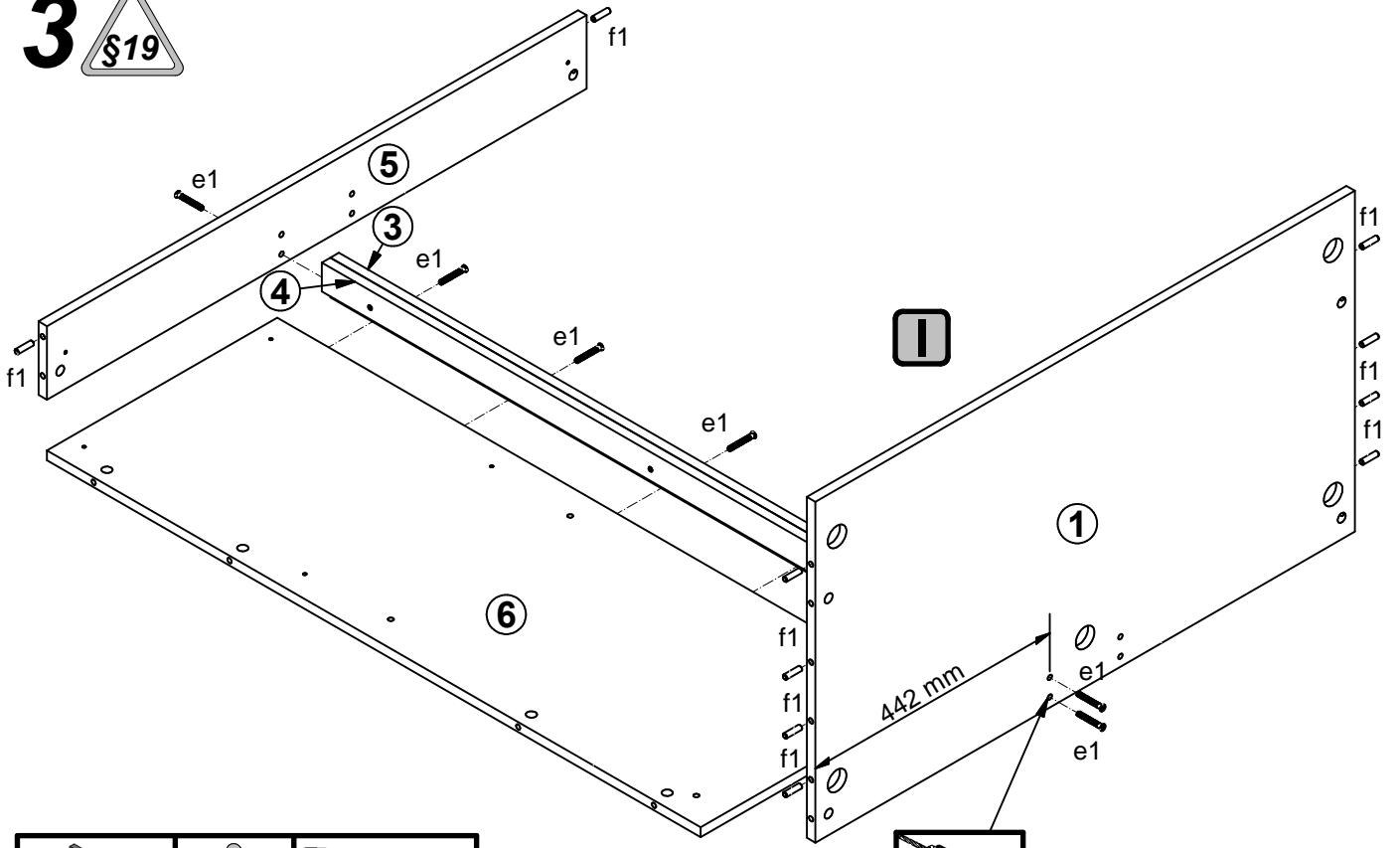
**1**  



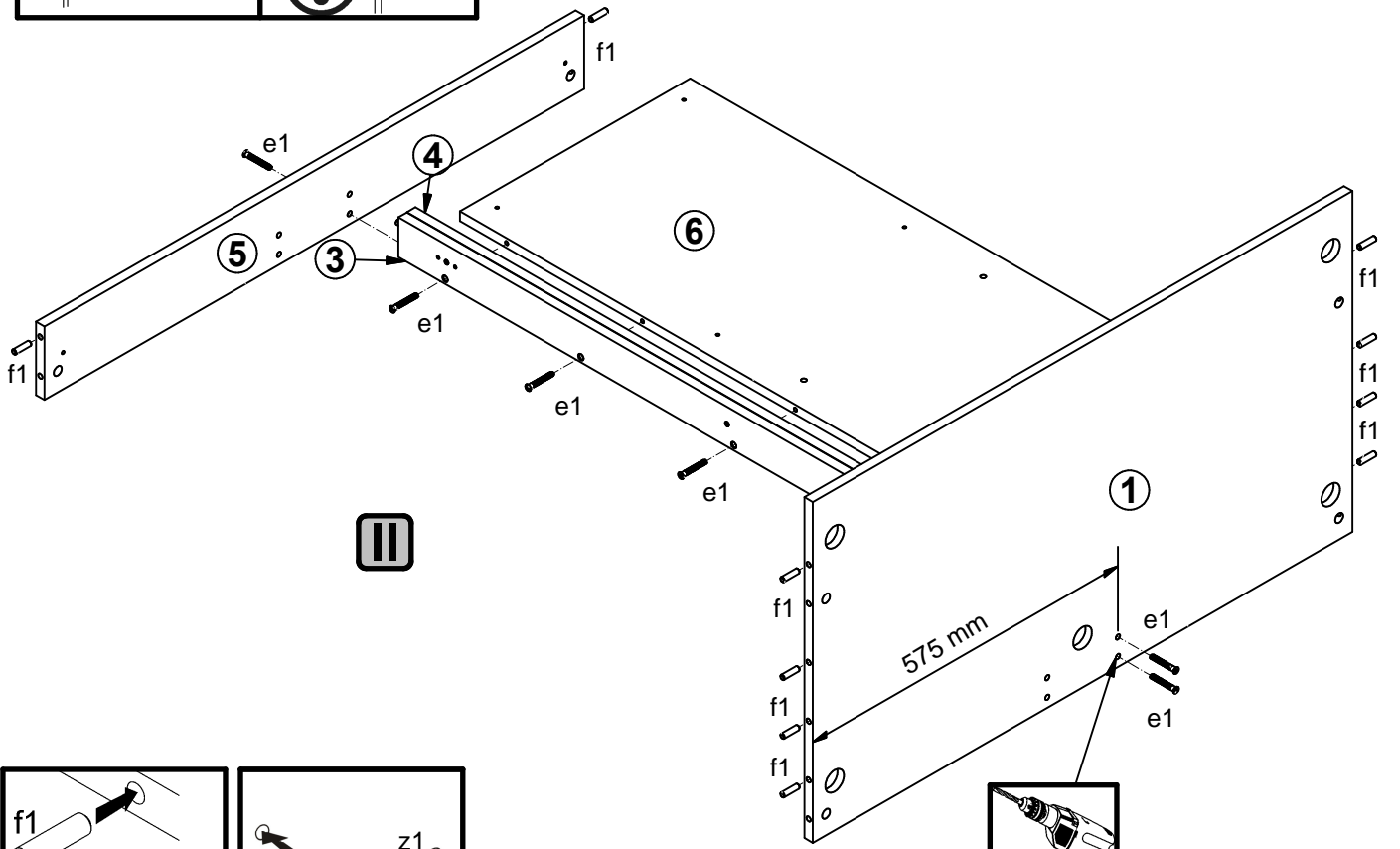
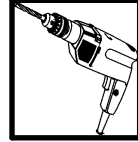
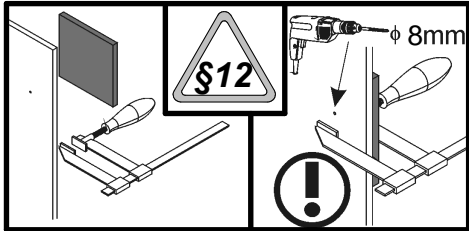
**2**  



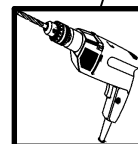
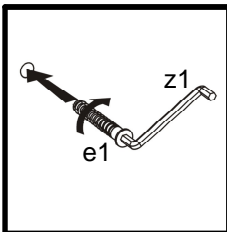
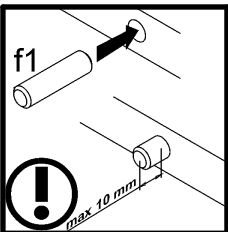
# 3



I



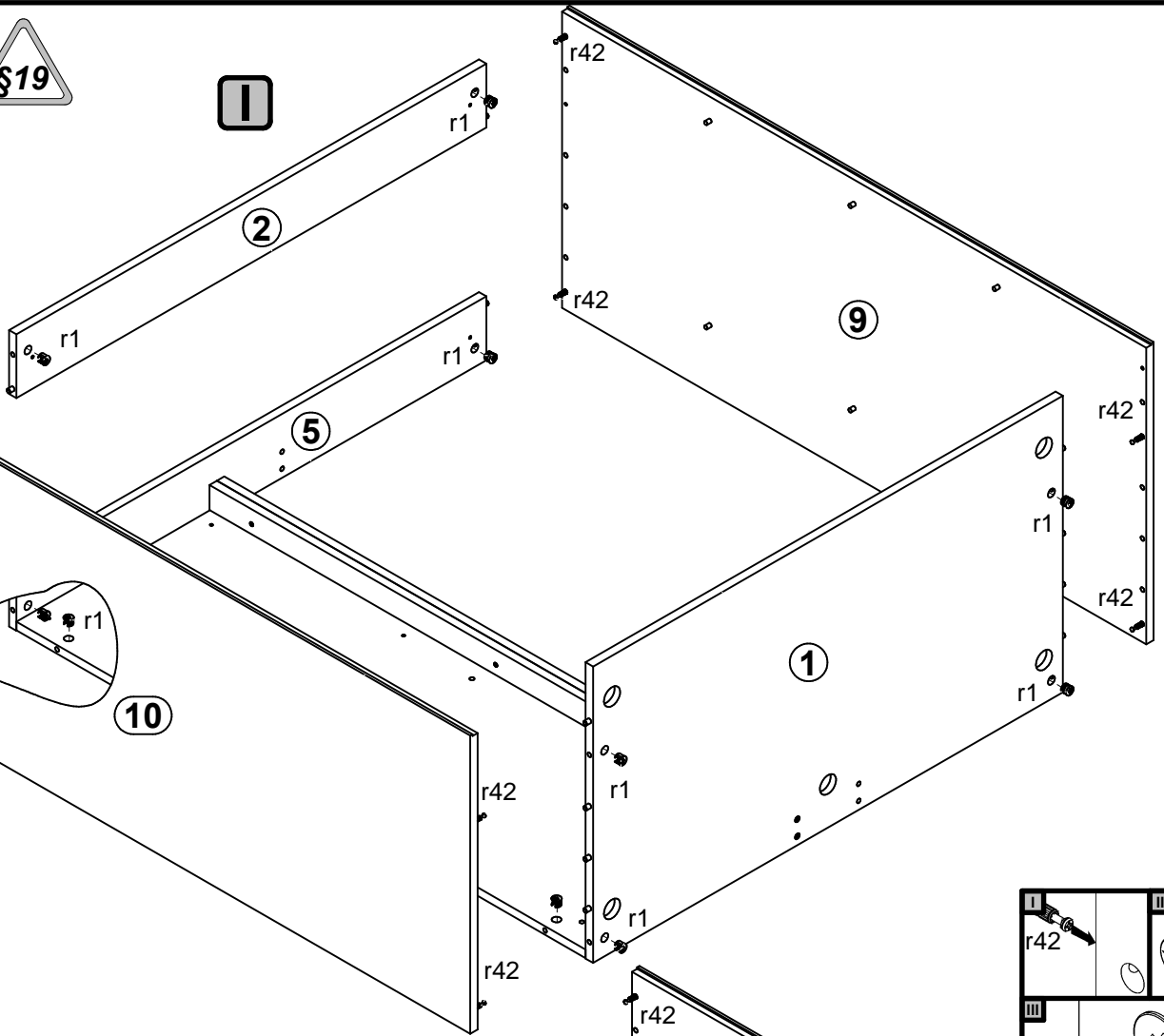
II



4



I



II

