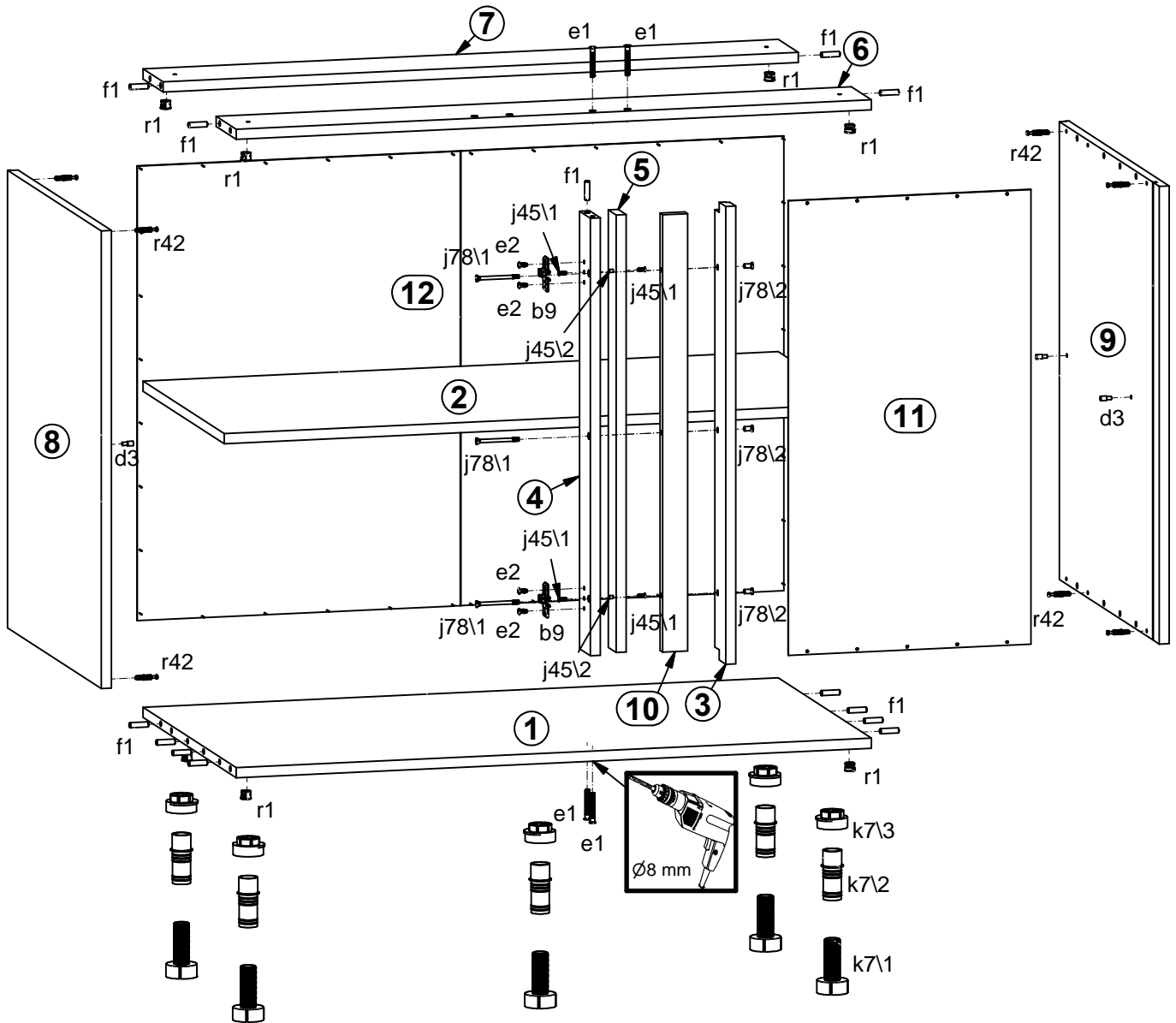
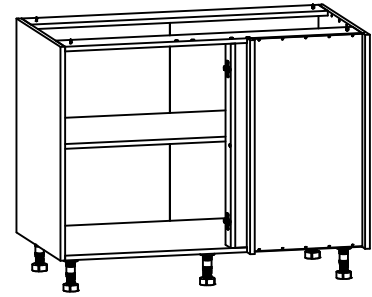


A

SPK

K04-DNW-120/82-P

A	B	C	D	A	B	C	D
1	K04-3372	1017	557	1/1	7	K04-3432	1017
2	K04-3373	1017	485	1/1	8	K04-4141	720
3	K04-3428	720	65	1/1	9	K04-4142	720
4	K04-3429	688	65	1/1	10	K04-429	688
5	K04-3430	688	47	1/1	11	K04-915	715
6	K04-3431	1017	120	1/1	12	K04-9913	715



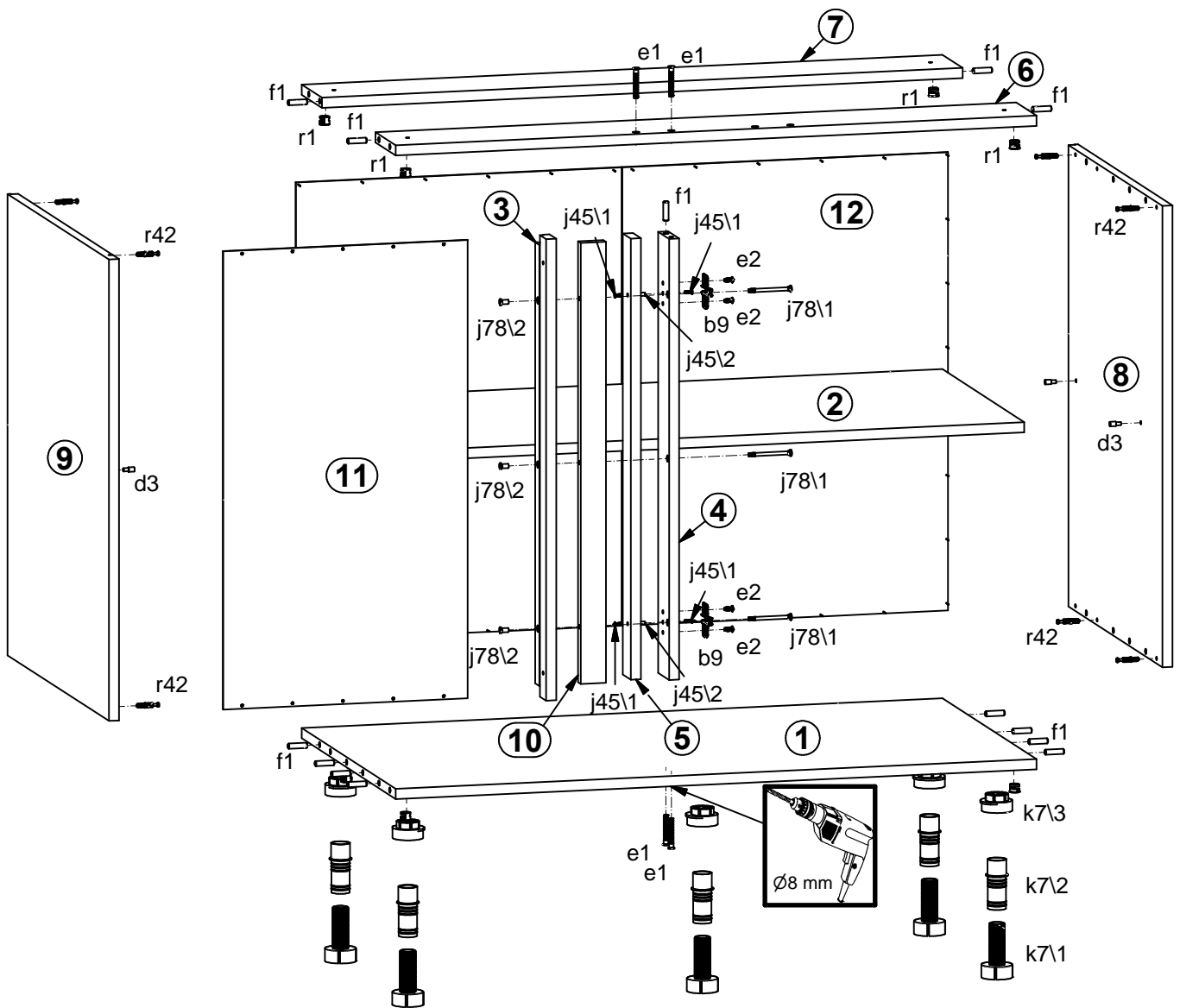
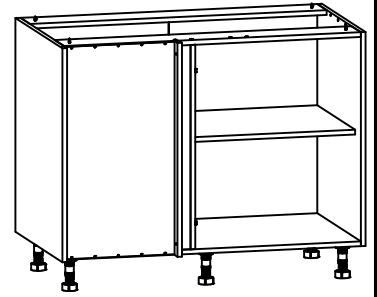
2x a64	2x b9	4x d3	4x e1	4x e2	13x f1	10x j45\1	5x j45\2	3x j78\1
3x j78\2	5x k7\1	5x k7\2	5x k7\3	4x k7\4	40x l1	2x o21	8x p1	4x p21
4x p51	8x r1	8x r42	1x z1					

A

SPK

K04-DNW-120/82-L

A	B	C	D	A	B	C	D
1	K04-3372	1017	557	1/1	7	K04-3432	1017
2	K04-3373	1017	485	1/1	8	K04-4141	720
3	K04-3428	720	65	1/1	9	K04-4142	720
4	K04-3429	688	65	1/1	10	K04-429	688
5	K04-3430	688	47	1/1	11	K04-915	715
6	K04-3431	1017	120	1/1	12	K04-9913	715



2x a64	2x b9	4x d3	4x e1	4x e2	13x f1	10x j45\1	5x j45\2	3x j78\1
3x j78\2	5x k7\1	5x k7\2	5x k7\3	4x k7\4	40x l1	2x o21	8x p1	4x p21
4x p51	8x r1	8x r42	1x z1					