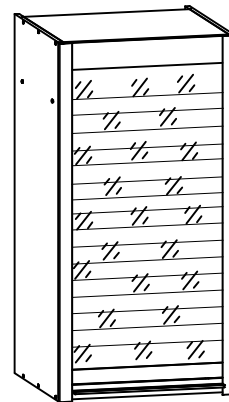


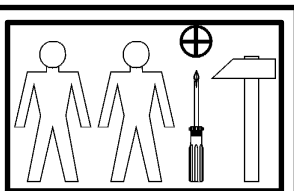
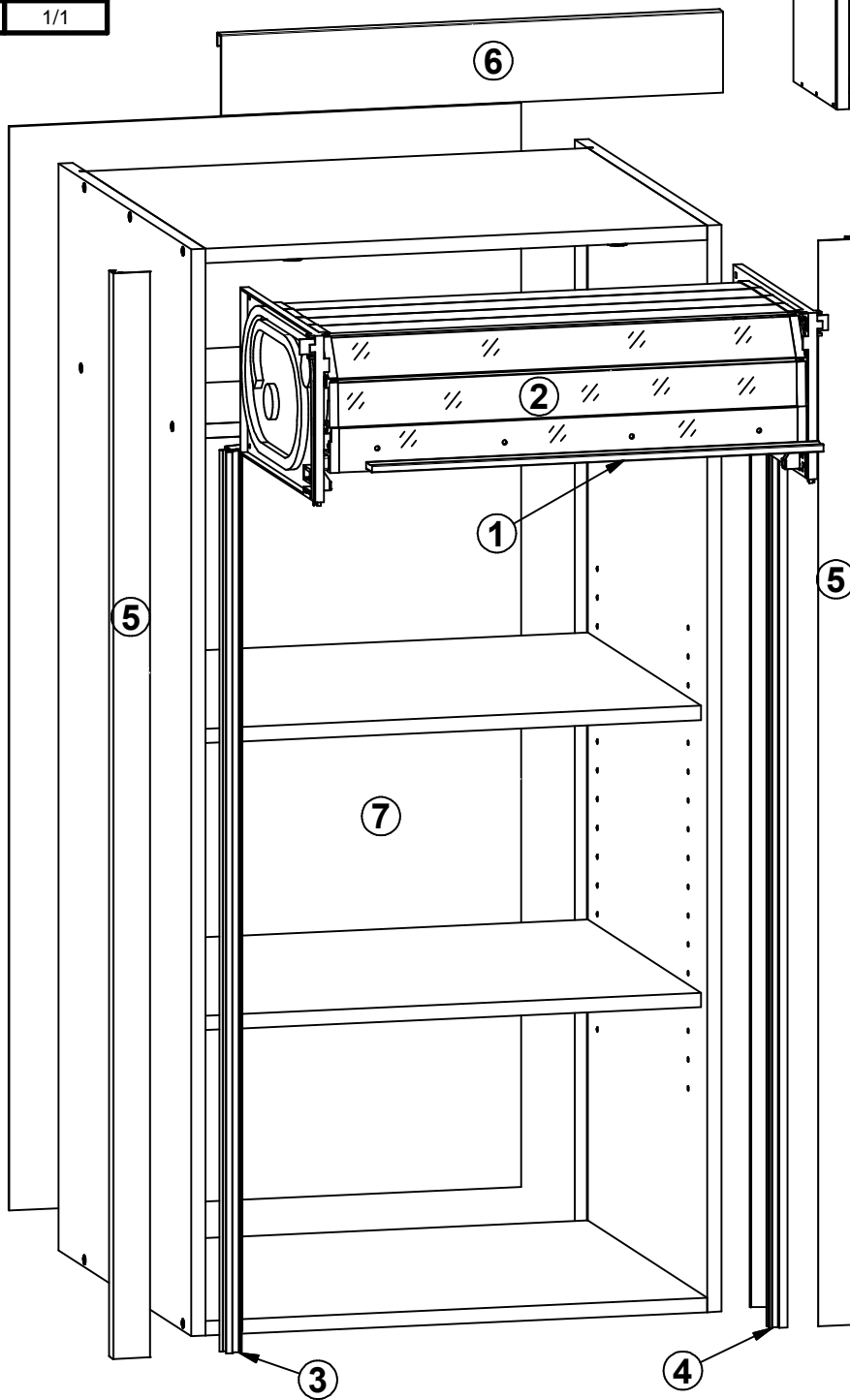
# SPK


# TROL5-60/121/56 Roleta szklana

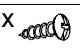
A	B	C	D	
1	c309	511	25	1/2
2	s58\2	568	185	1/2
3	s58\4L	1002	22	2/2
4	s58\4P	1002	22	2/2
5	s58\7	1207	42	2/2
6	s58\8	568	90	1/2




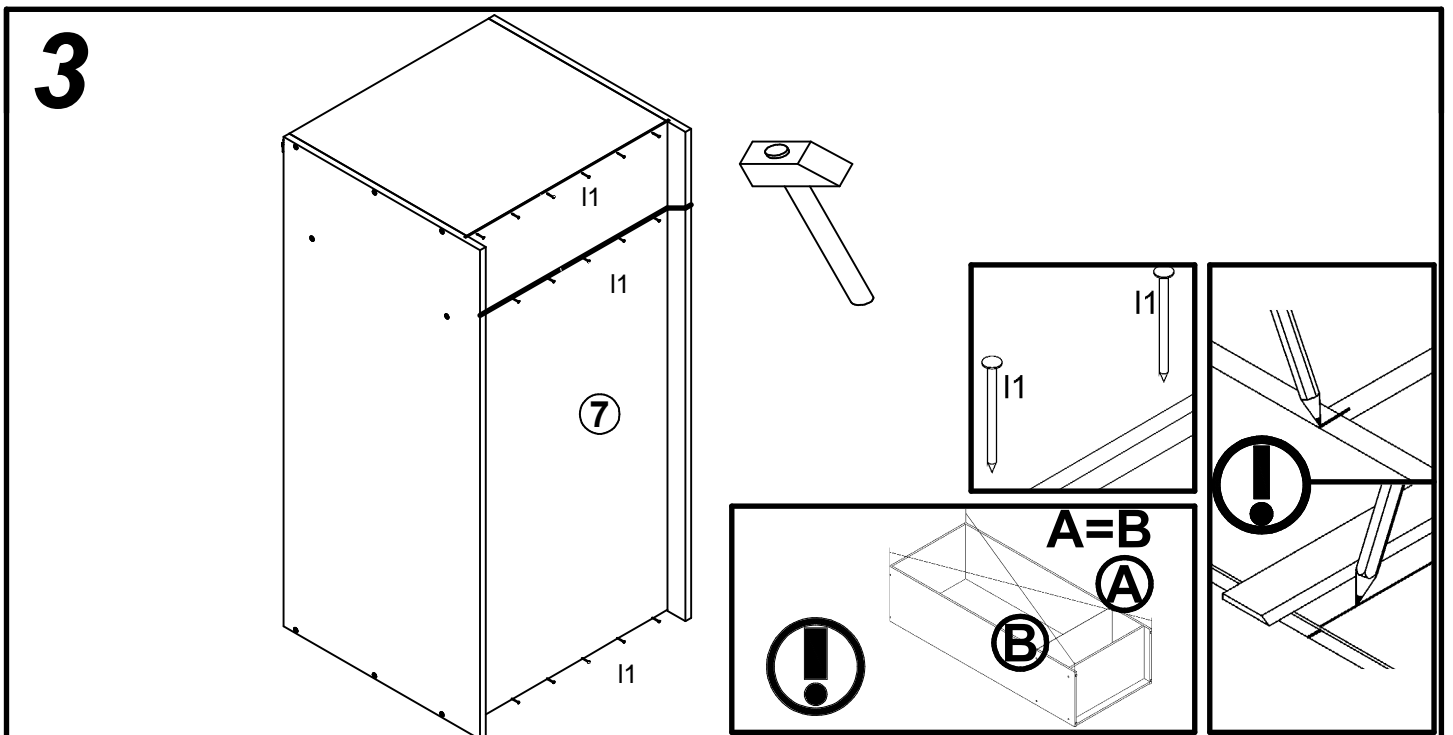
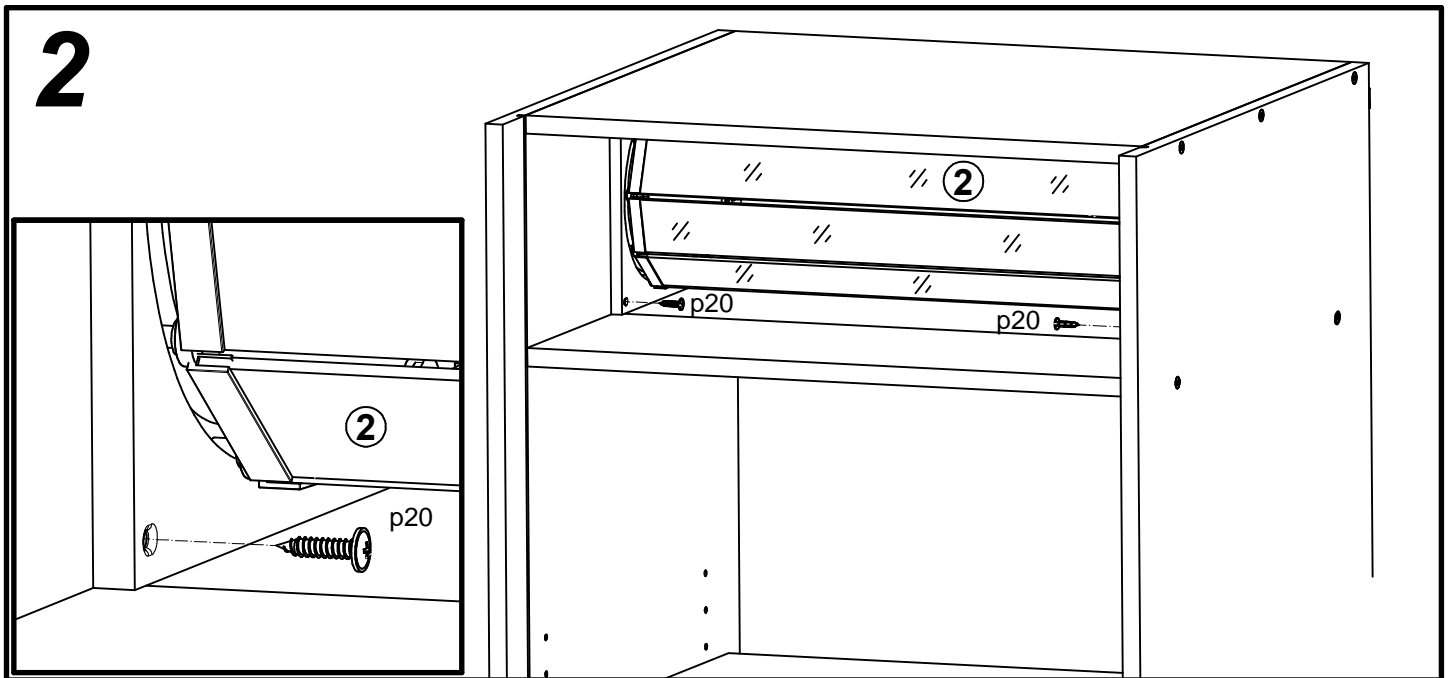
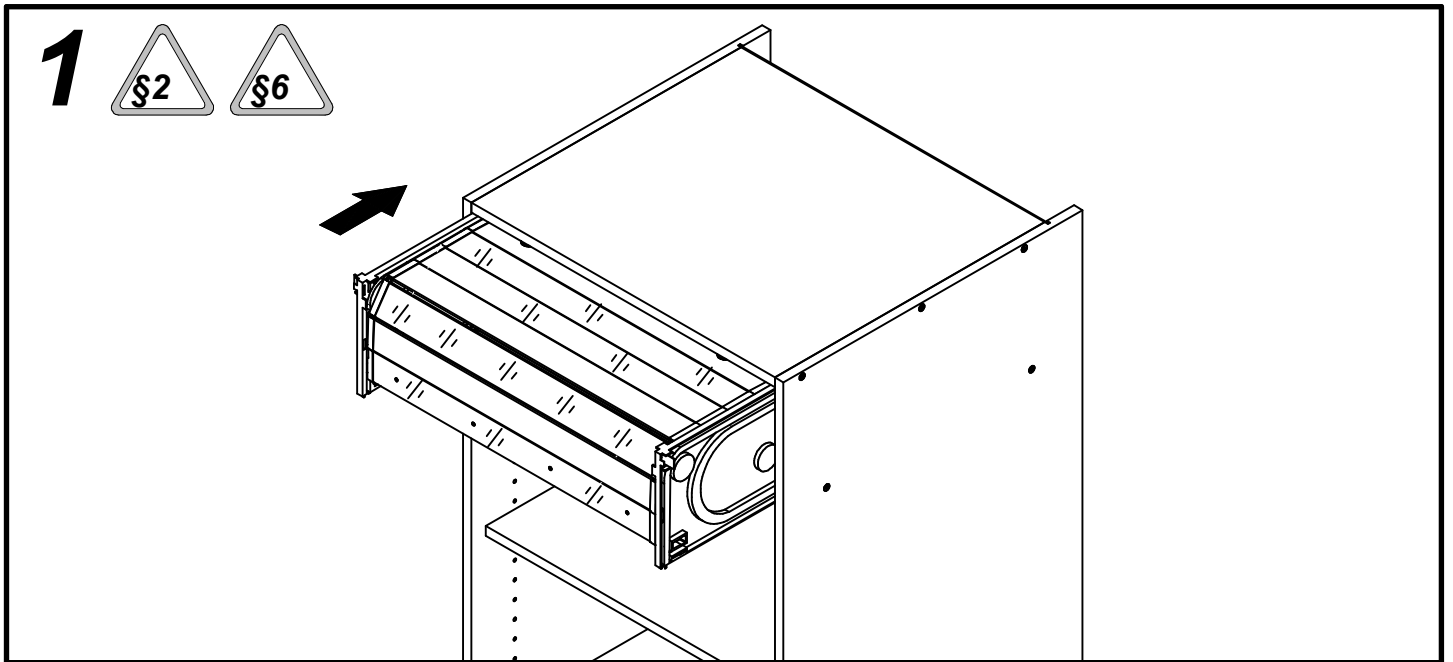
7	7903	1203	579	1/1
---	------	------	-----	-----



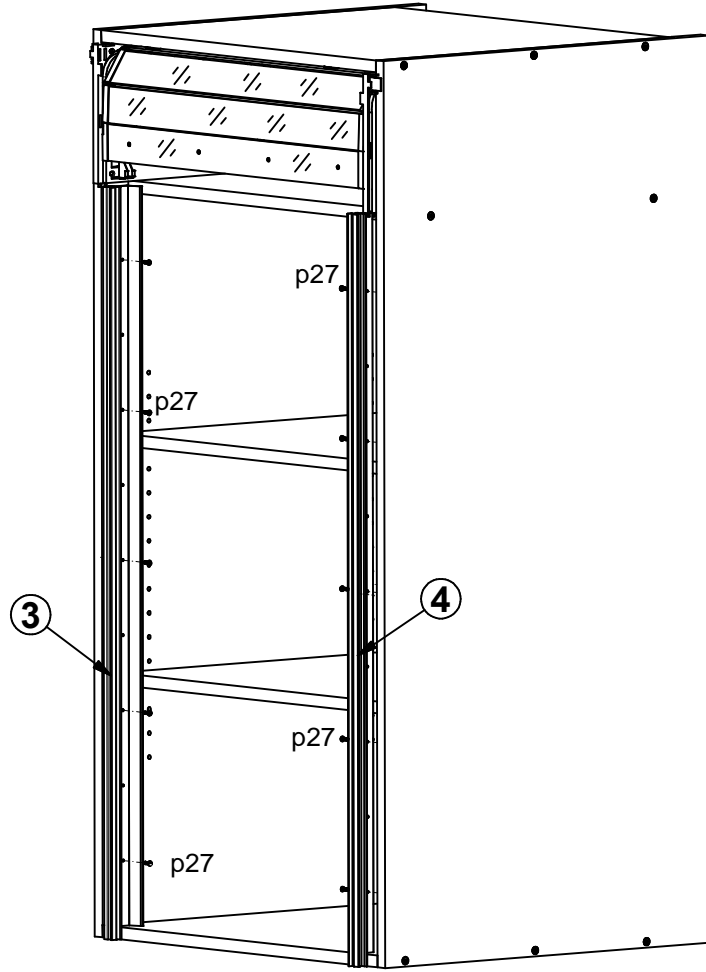
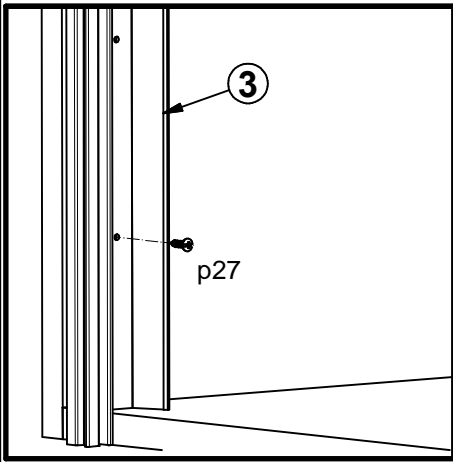
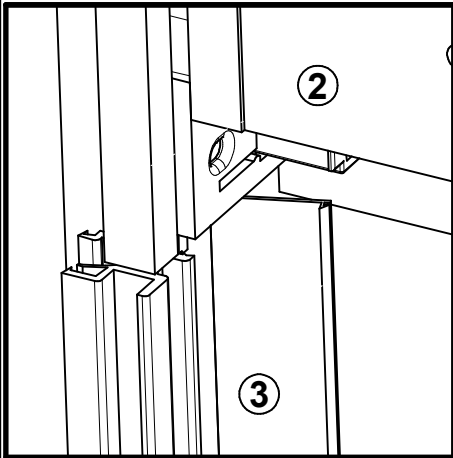
4x   $\phi 3,5 \times 20$  mm p20

10x   $\phi 3,5 \times 13$  mm p27

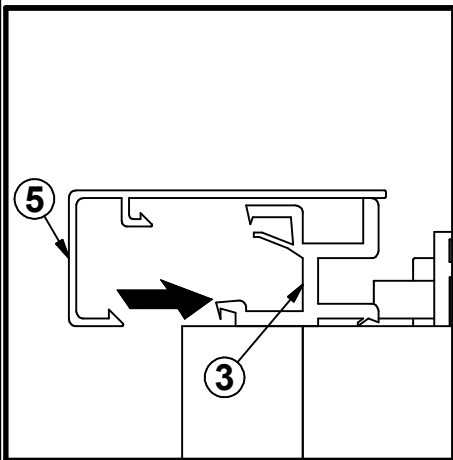
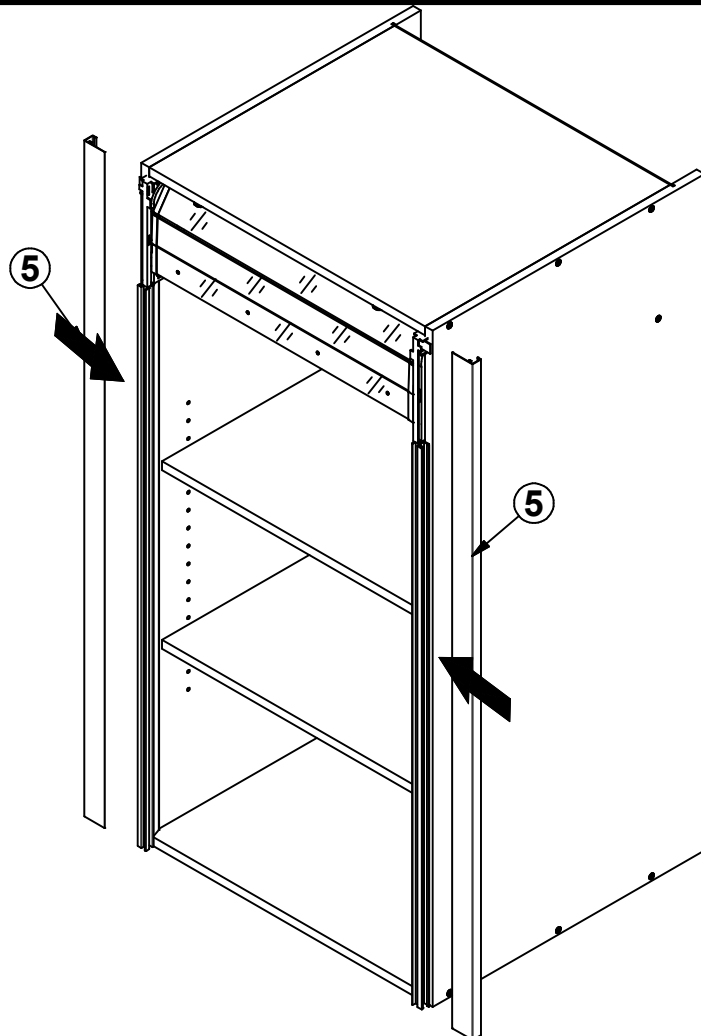
4x   $\phi 3,5 \times 13$  mm p112



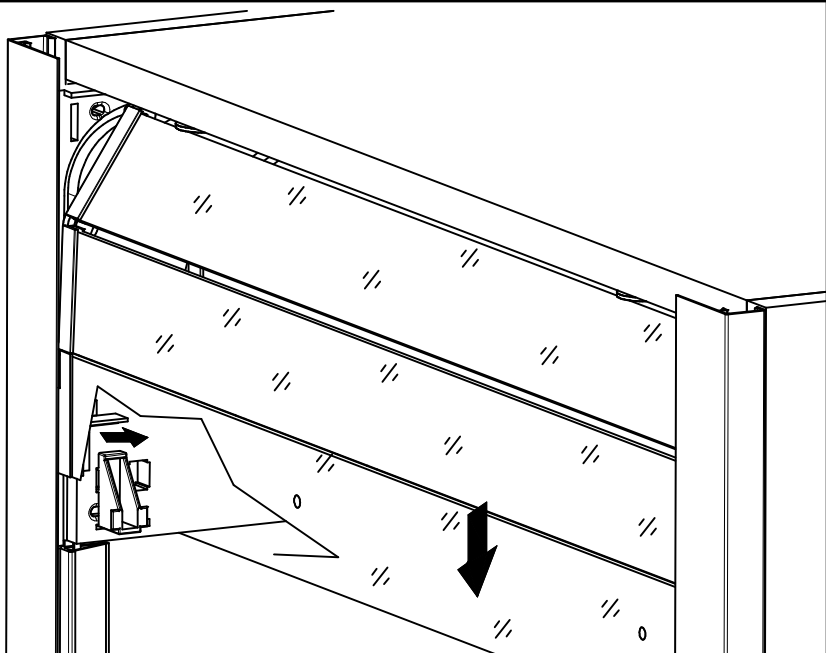
# 4



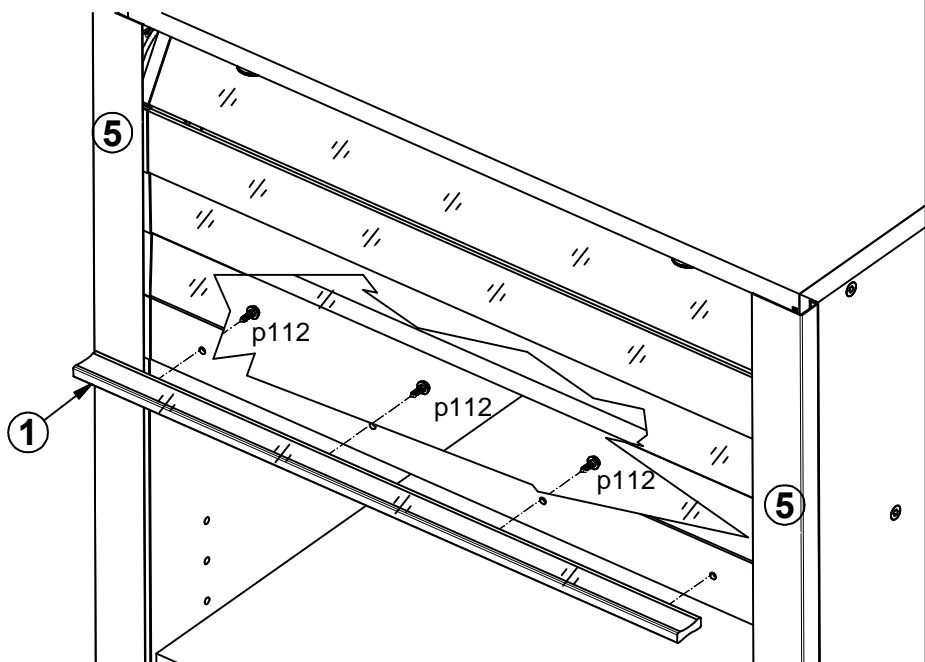
# 5



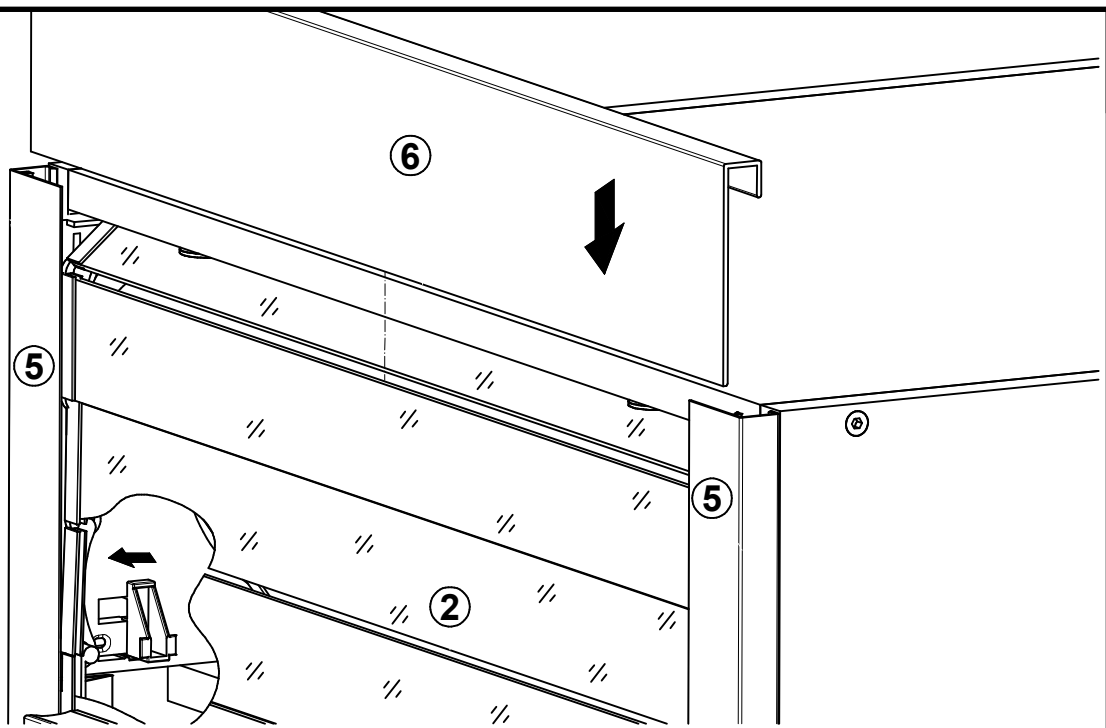
# 6



# 7



# 8



9

