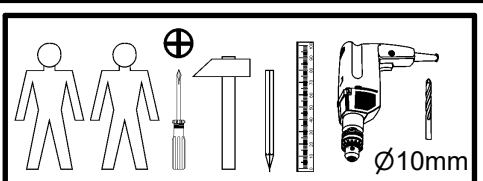
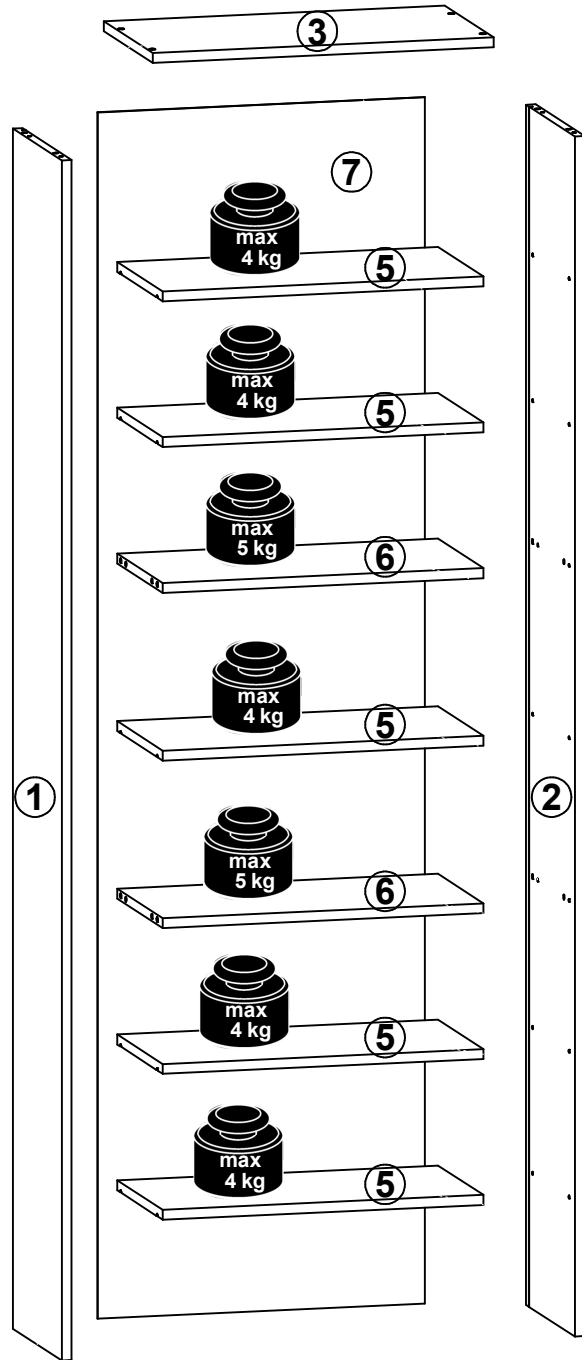
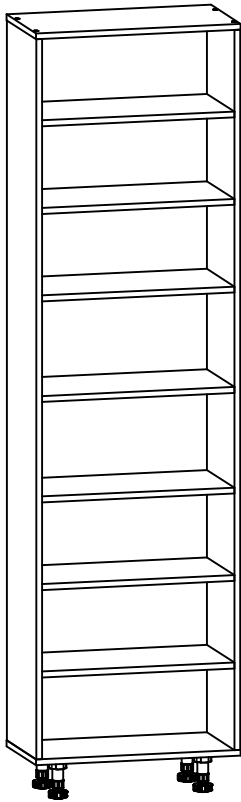
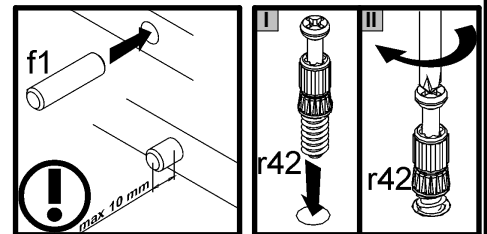
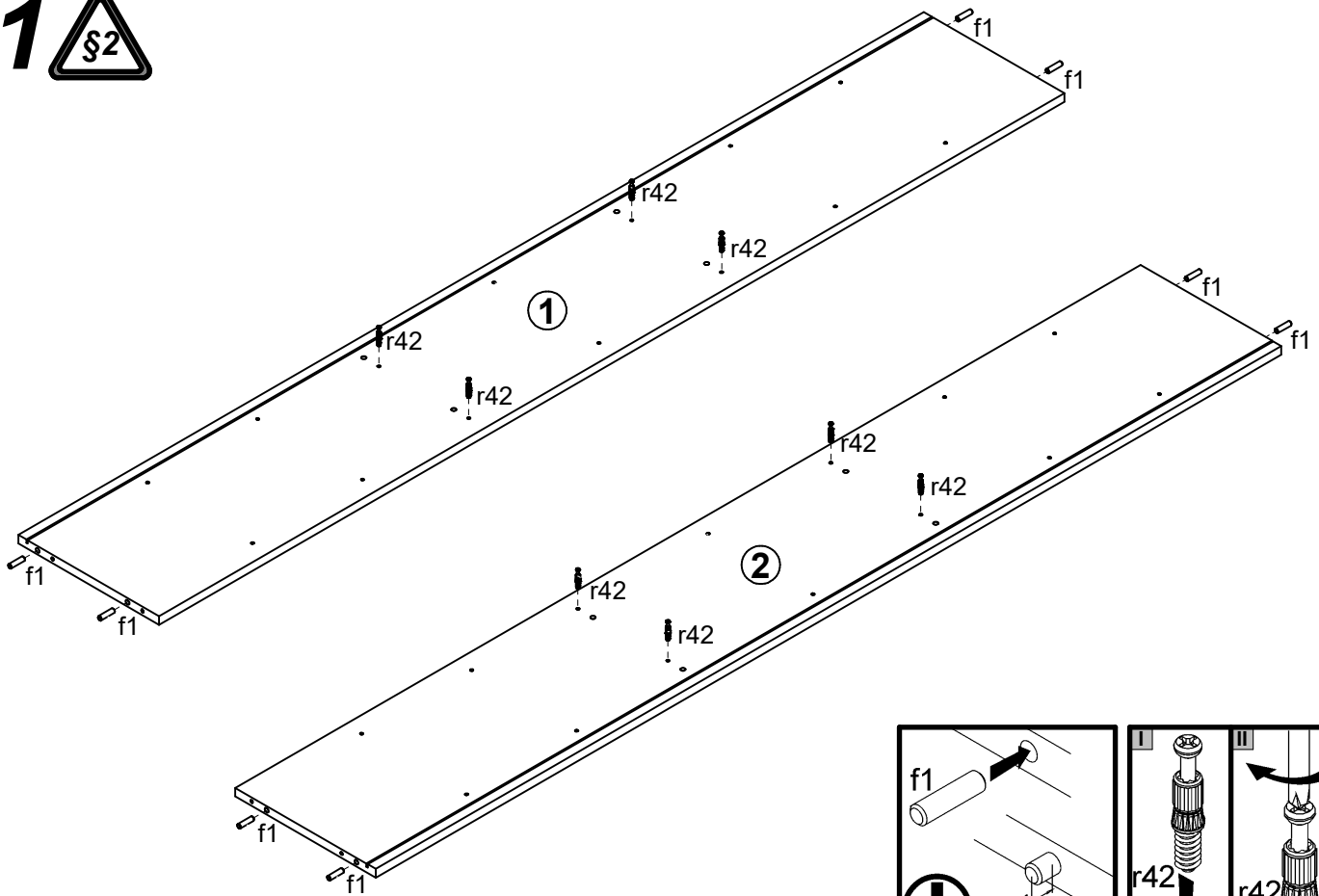


A	B	C	D
1	K31-1229	1934	300
2	K31-1230	1934	300
3	K31-3159	560	300
4	K31-3160	560	300
5	K31-3161	527	279
6	K31-3162	527 </td <td>279</td>	279
7	K31-9082	1944	537

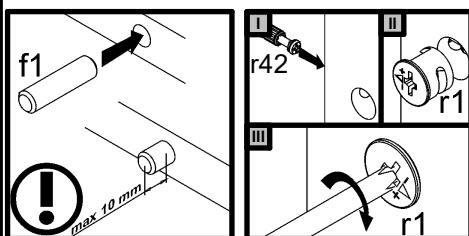
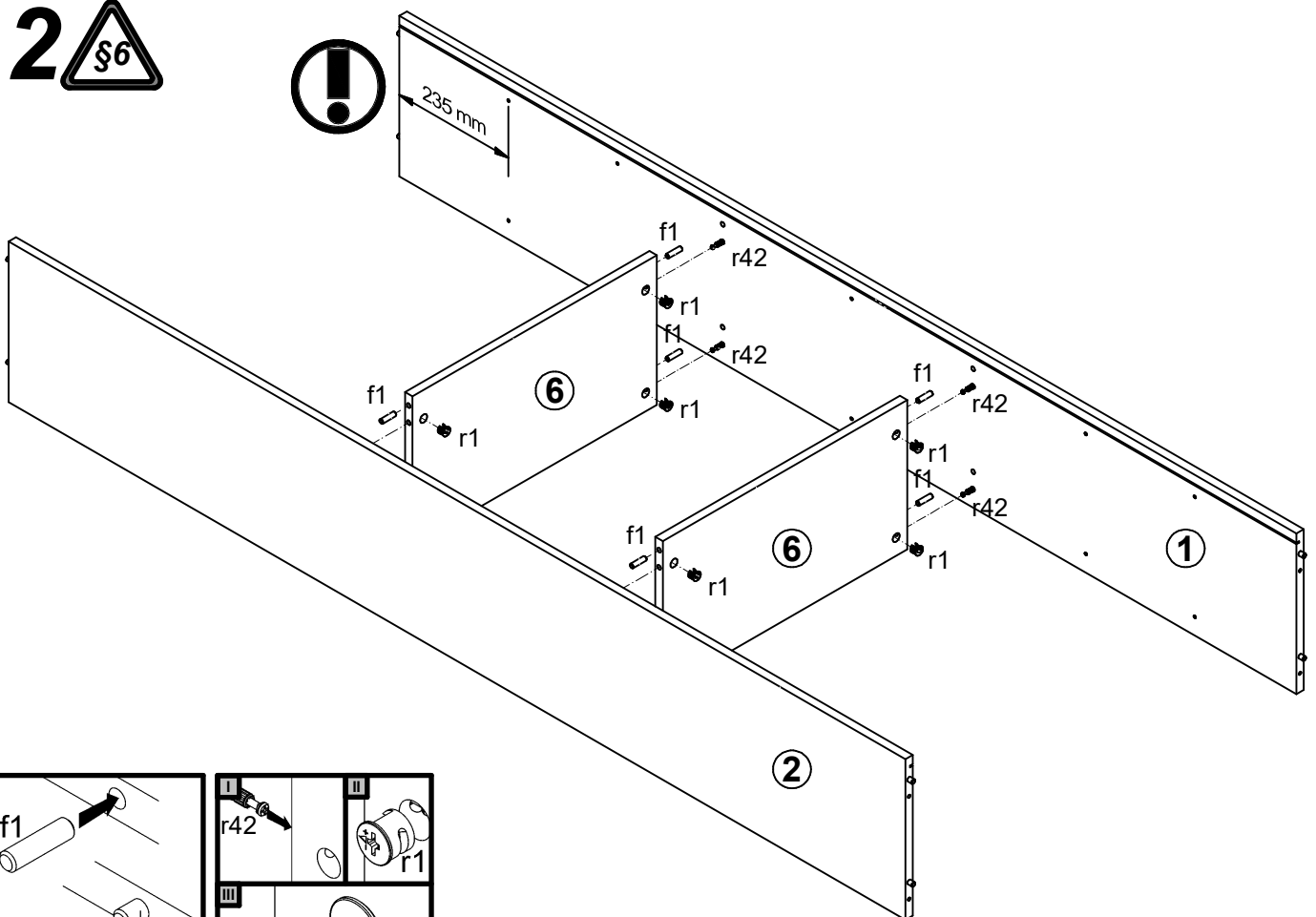


20x Ø5x17 mm d3	8x Ø7x50 mm e1	16x Ø8x30 mm f1	4x k74/1	4x k74/2	4x k74/3	6x M4x12 mm j45/1	3x j45/2	2x k66/4
4x L-73 mm k74/5	15x l1	16x Ø4x13 mm p28	4x Ø3.5x16 mm p38	8x Ø15x12 mm #16 r1	8x 20/11 r42	2x 62x12/1 mm n52	4x Ø3.5x13 mm p1	6x Ø3.5x16 mm p25
1x z1						2x Ø10x50 mm f35	2x 88x21x15/1.5 n14/2	2x Ø5x60 mm p17

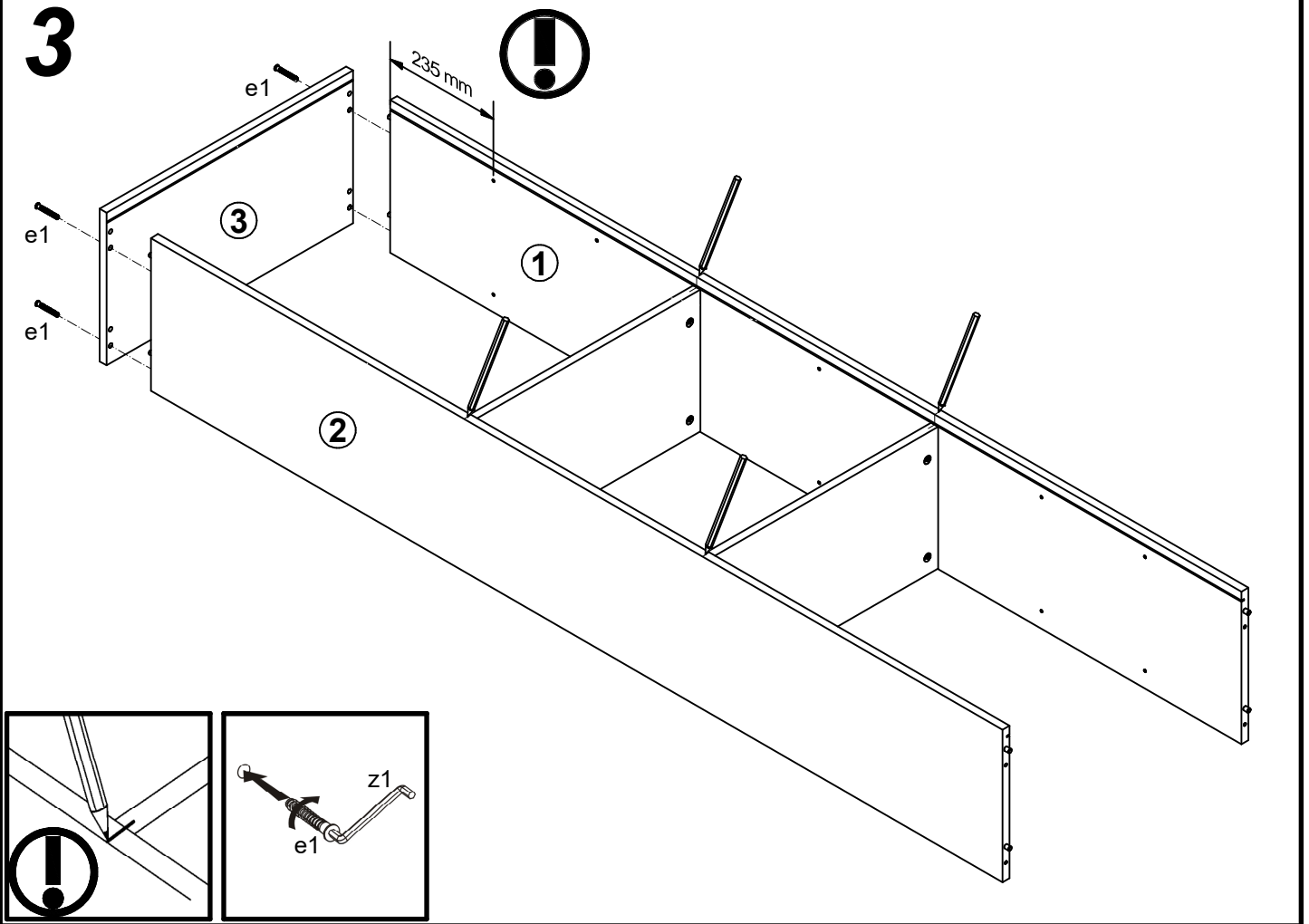
1 §2



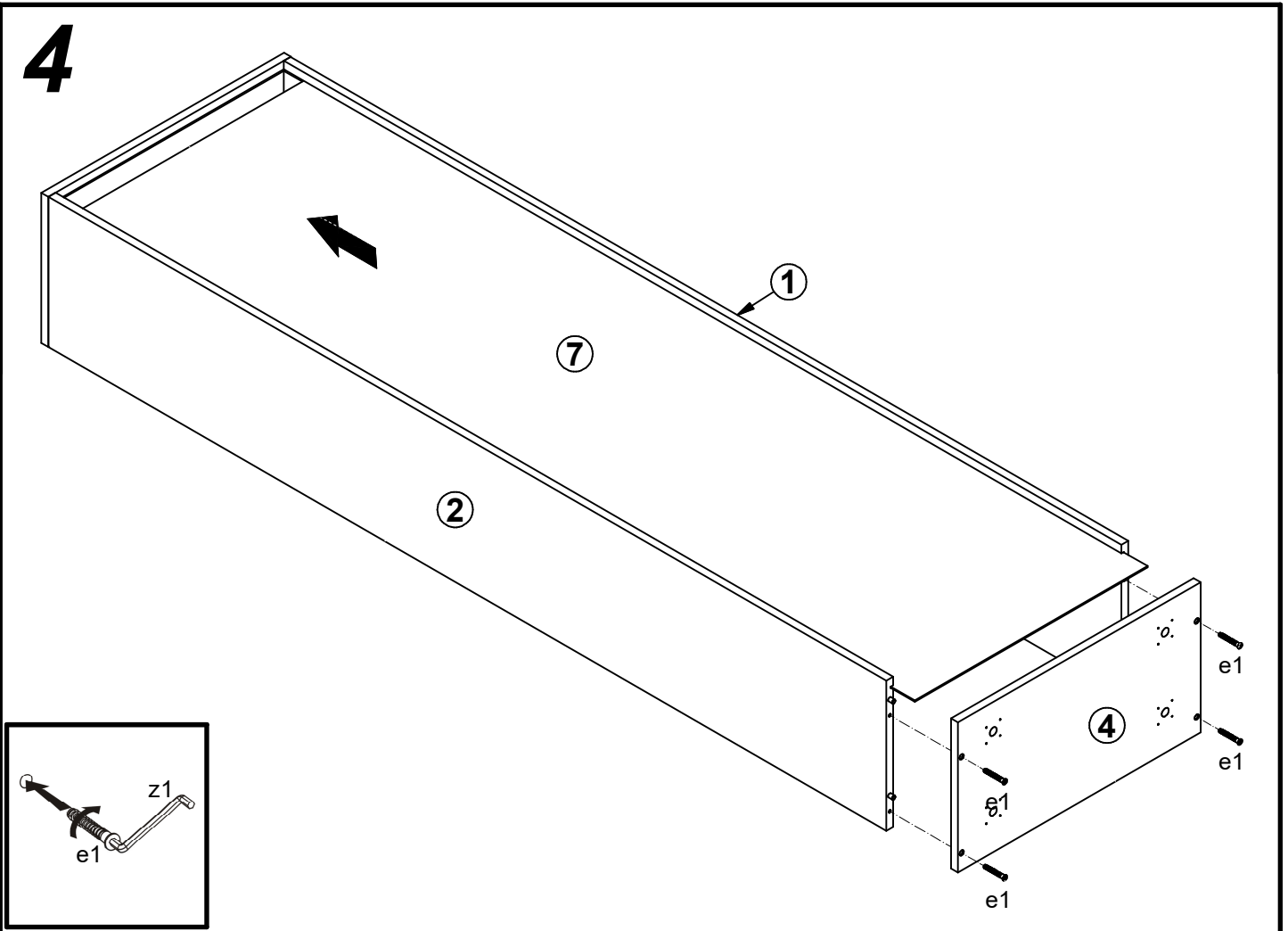
2 §6



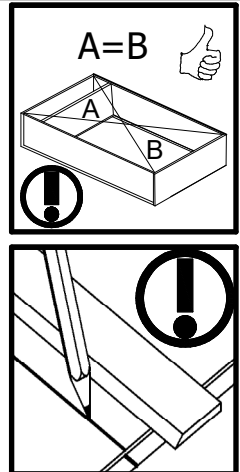
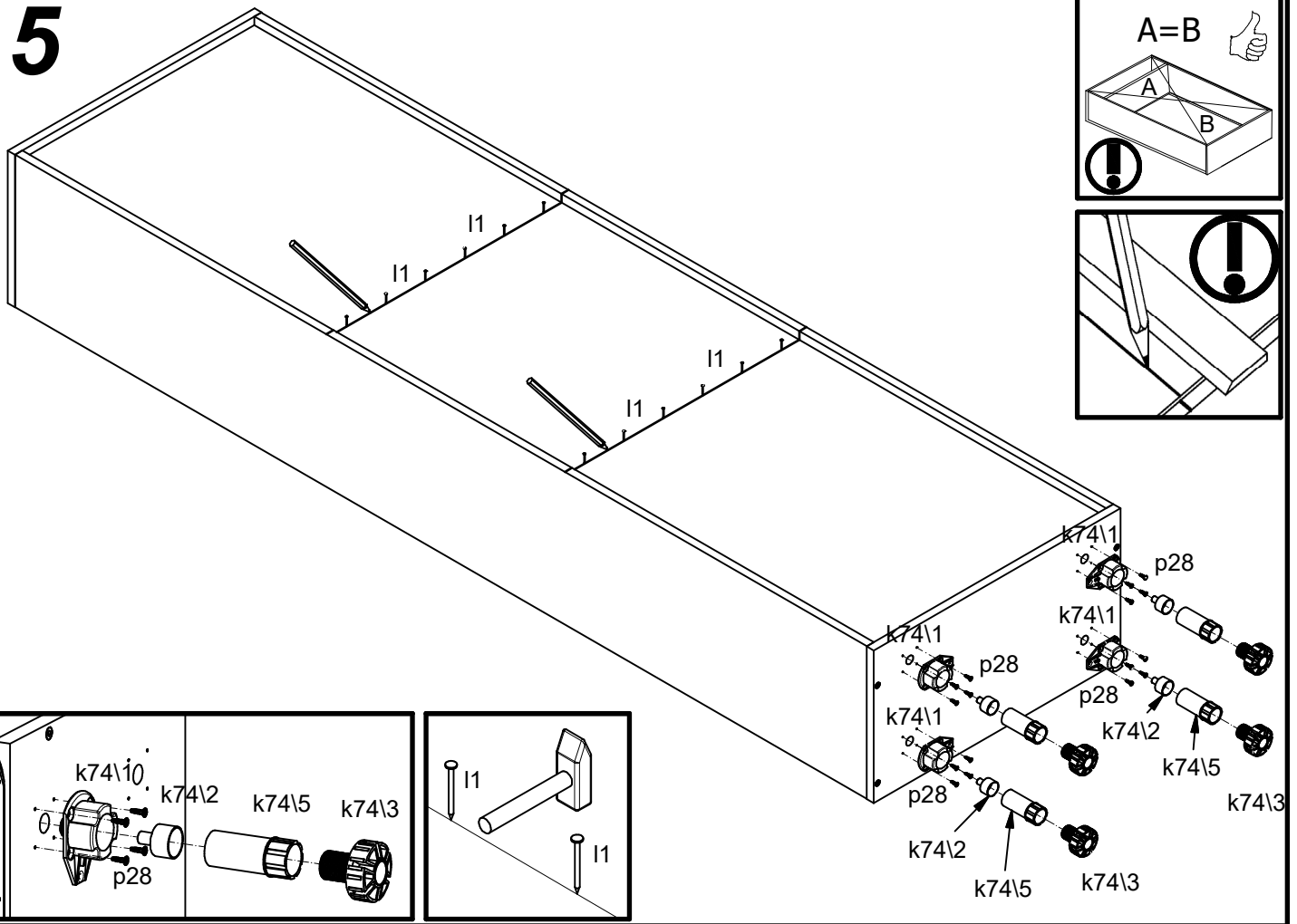
3



4



5



6

