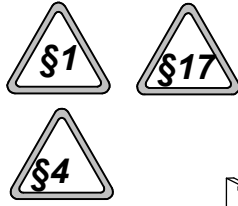


A

Senso

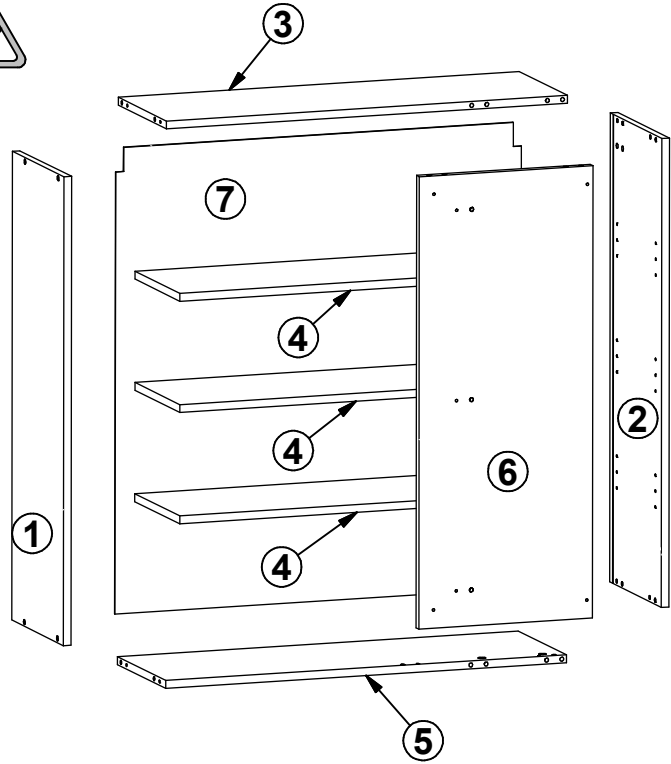
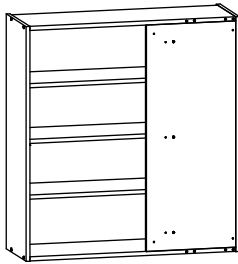
K31-GNW-90/95

A	B	C	D
1	K31-1351	946	300
2	K31-1352	946	300
3	K31-3243	847	280
4	K31-3244	847	260
5	K31-3245	847	280
6	K31-4203	913	367
7	K31-9128	941	857

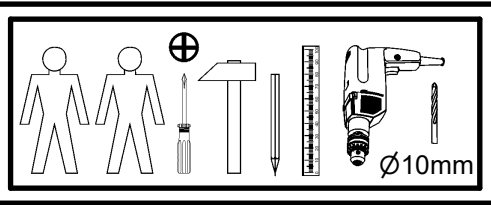
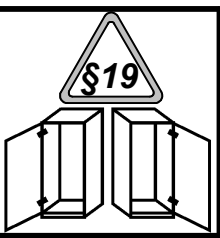
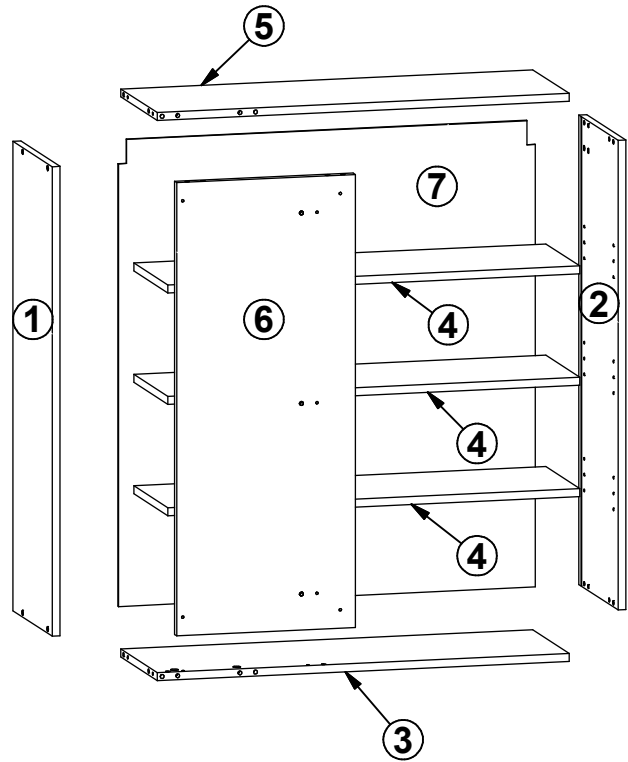
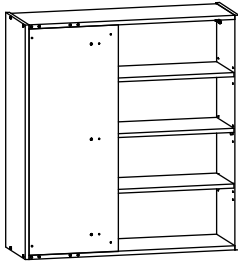


8	K31-4193	100	284
9	K31-4194	50	284
10	K31-4201	946	100
11	K31-4202	946	50

R



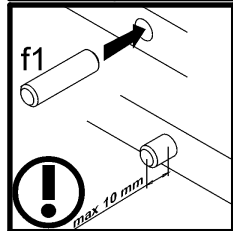
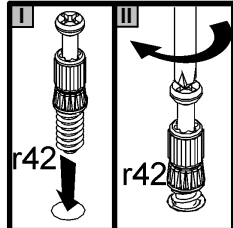
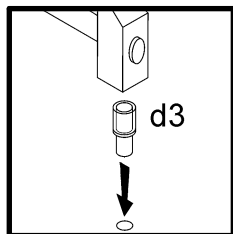
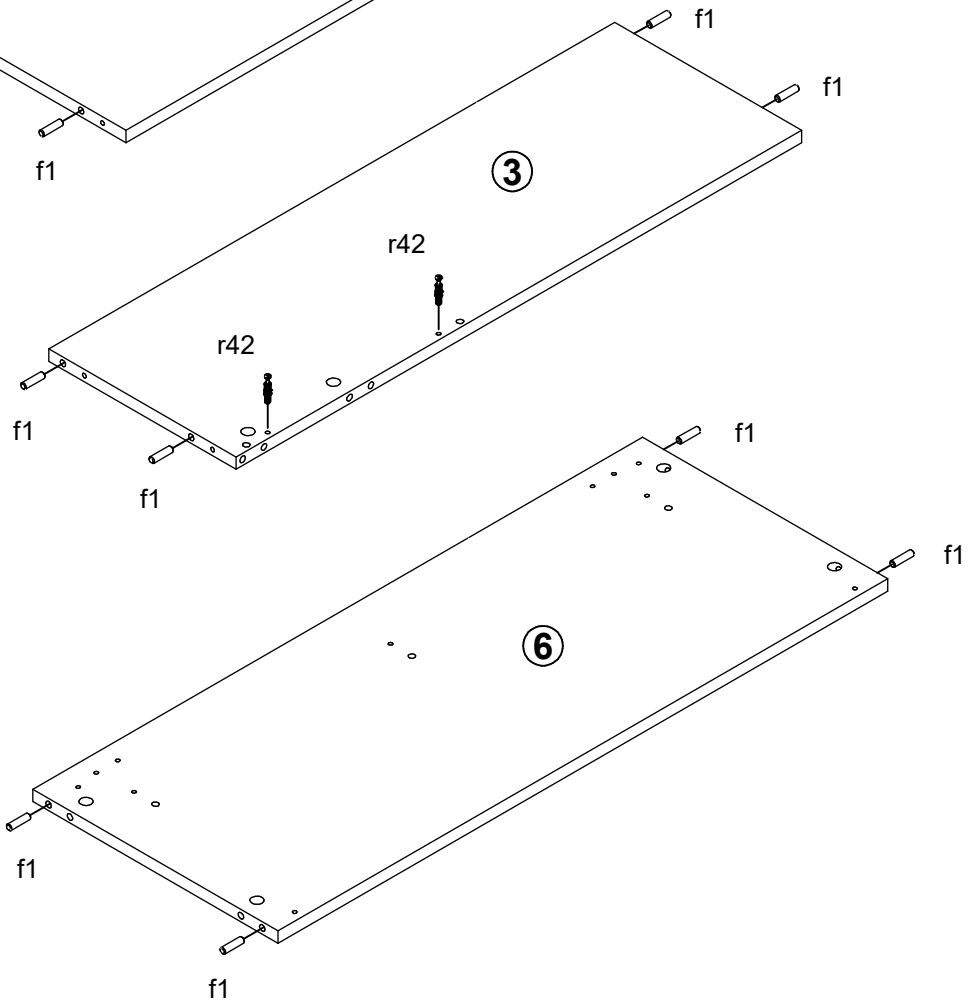
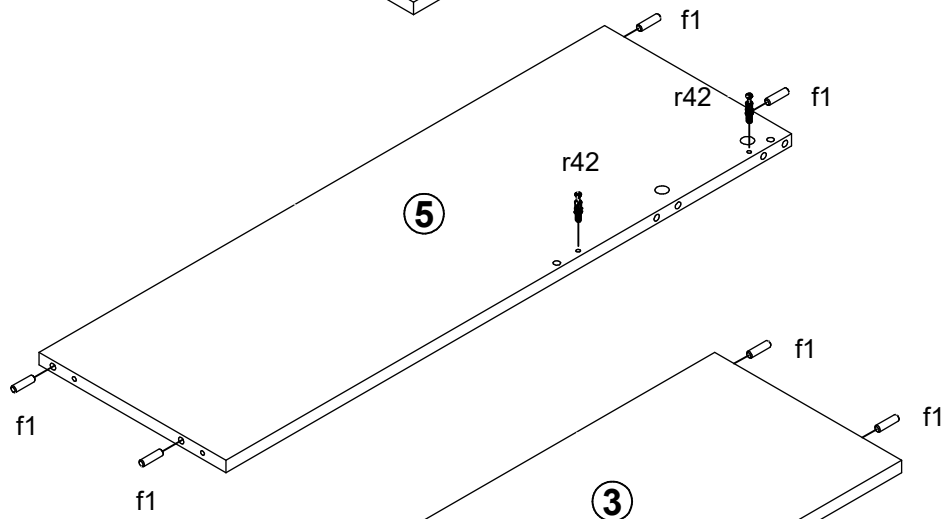
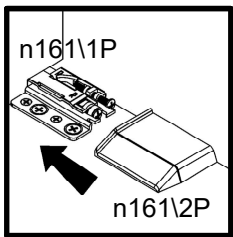
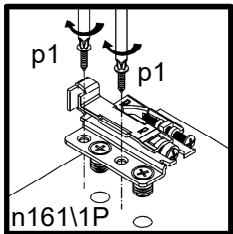
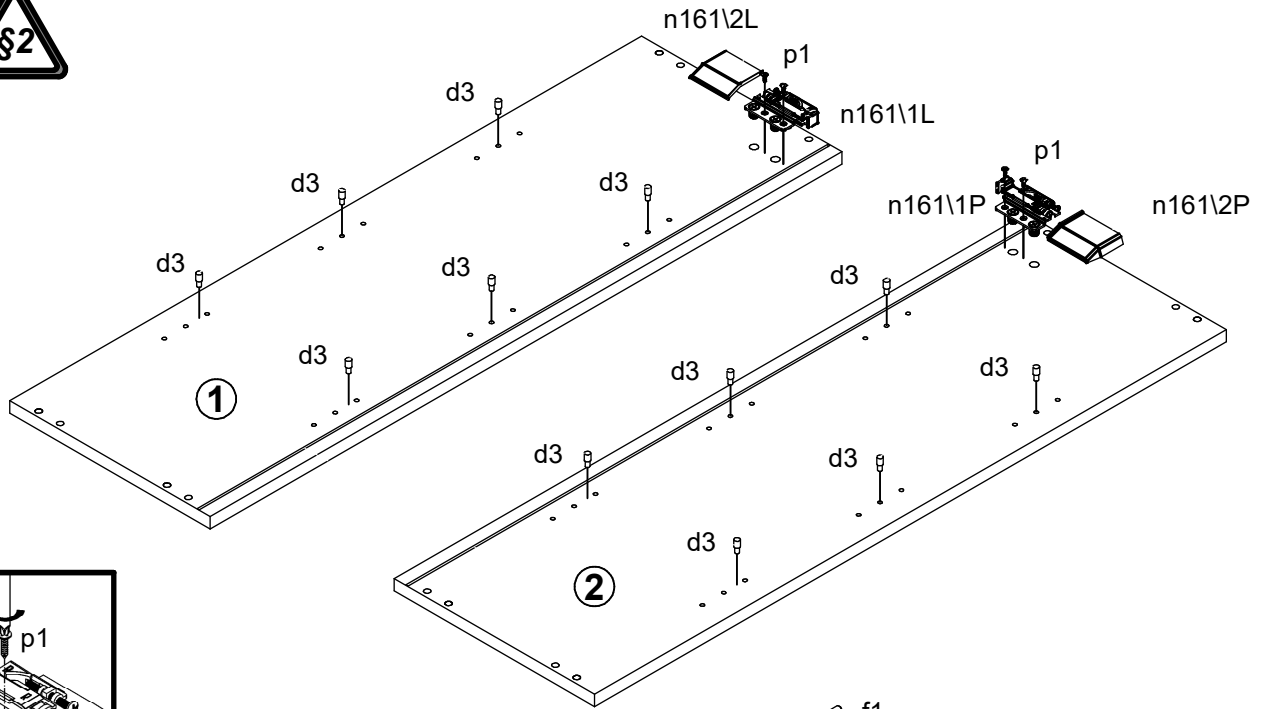
L



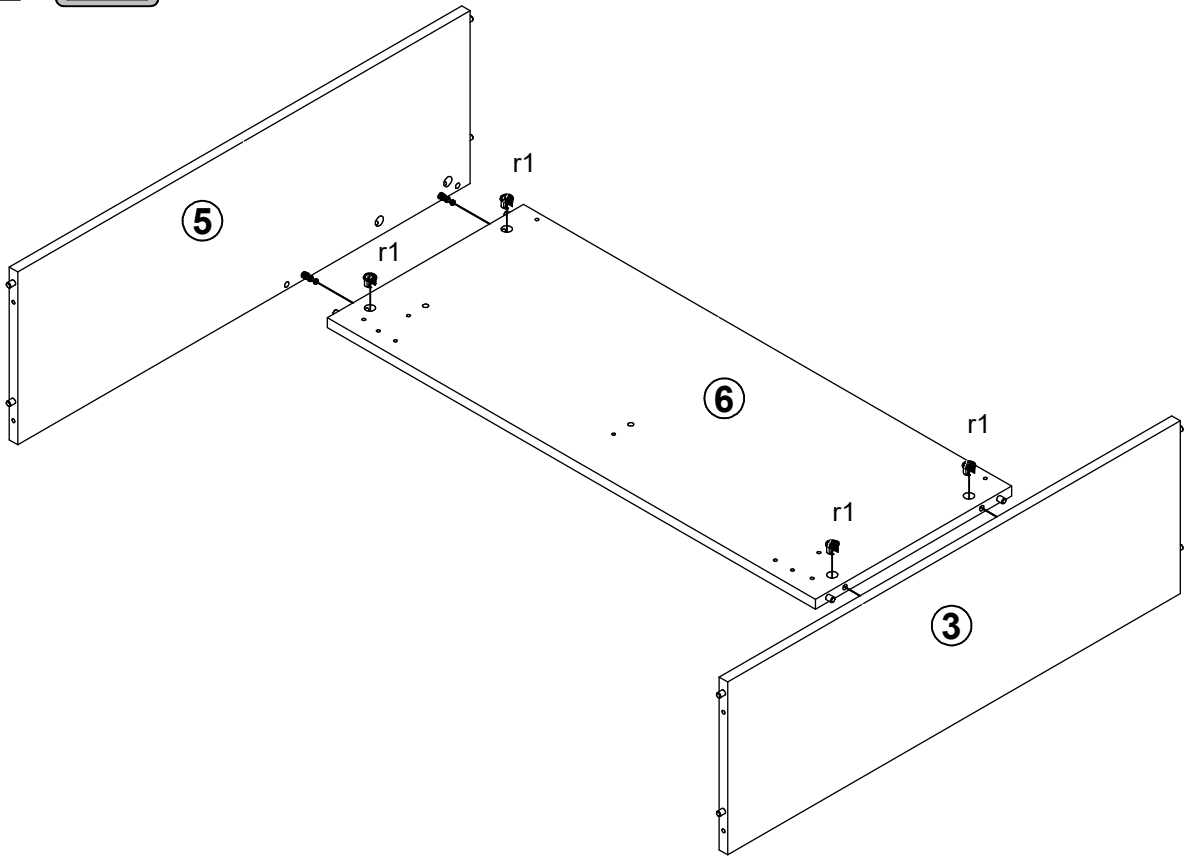
12x Ø5x17 mm d3	11x Ø7x50 mm e1	12x Ø8x30 mm f1	4x Ø8x40 mm f41	15x 1.4x20 mm l1
4x Ø3.5x13 mm p1	4x 20/11 r42	4x 40 mm r51	1x n161\1P	1x n161\1L
1x n161\2P	1x n161\2L	1x qc35\LP	12x Ø15x12 mm #16 r1	4x Ø6.3x13 mm e5
2x Ø5x60 mm p17	2x Ø10x50 mm f35	1x 4 mm z1		

2x a197	2x d9 b97
3x Ø3.5x20 mm p20	4x Ø4x28 mm p94
6x M4x12 mm j45\1	3x j45\2
2x 45mm a221	8x Ø14x0.5 mm s59
4x Ø3.5x15 mm p51	

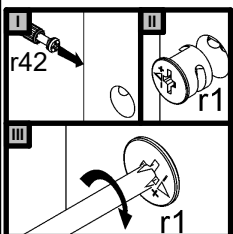
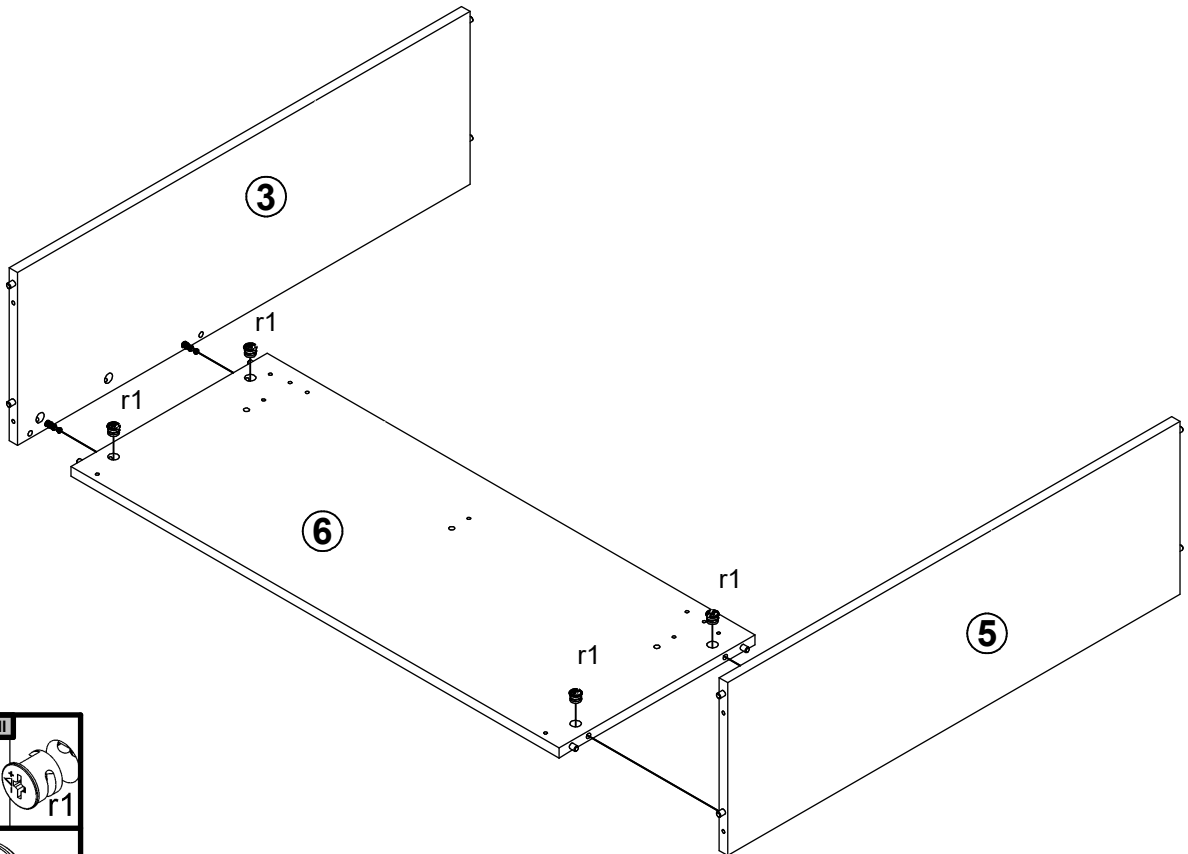
1 



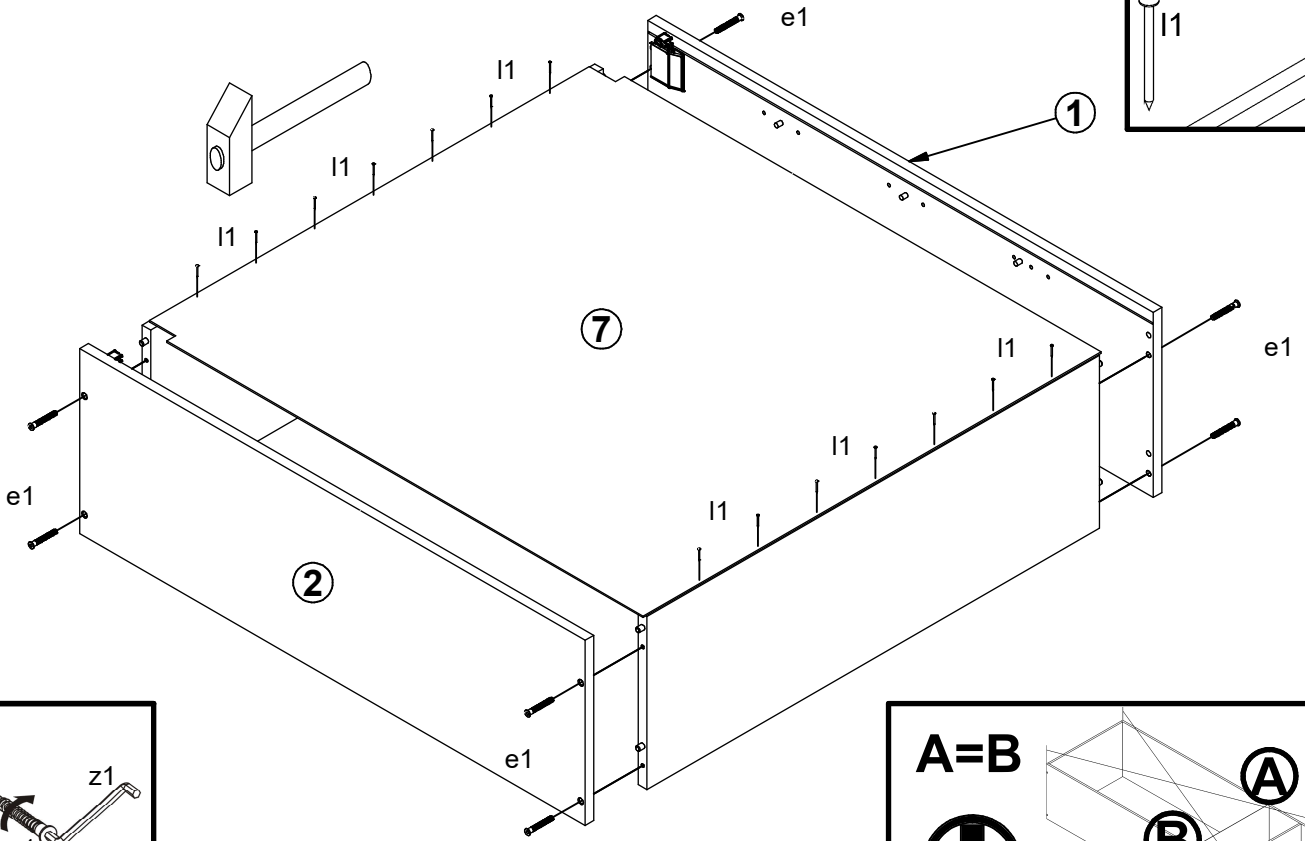
2L



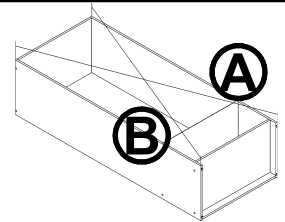
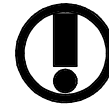
R



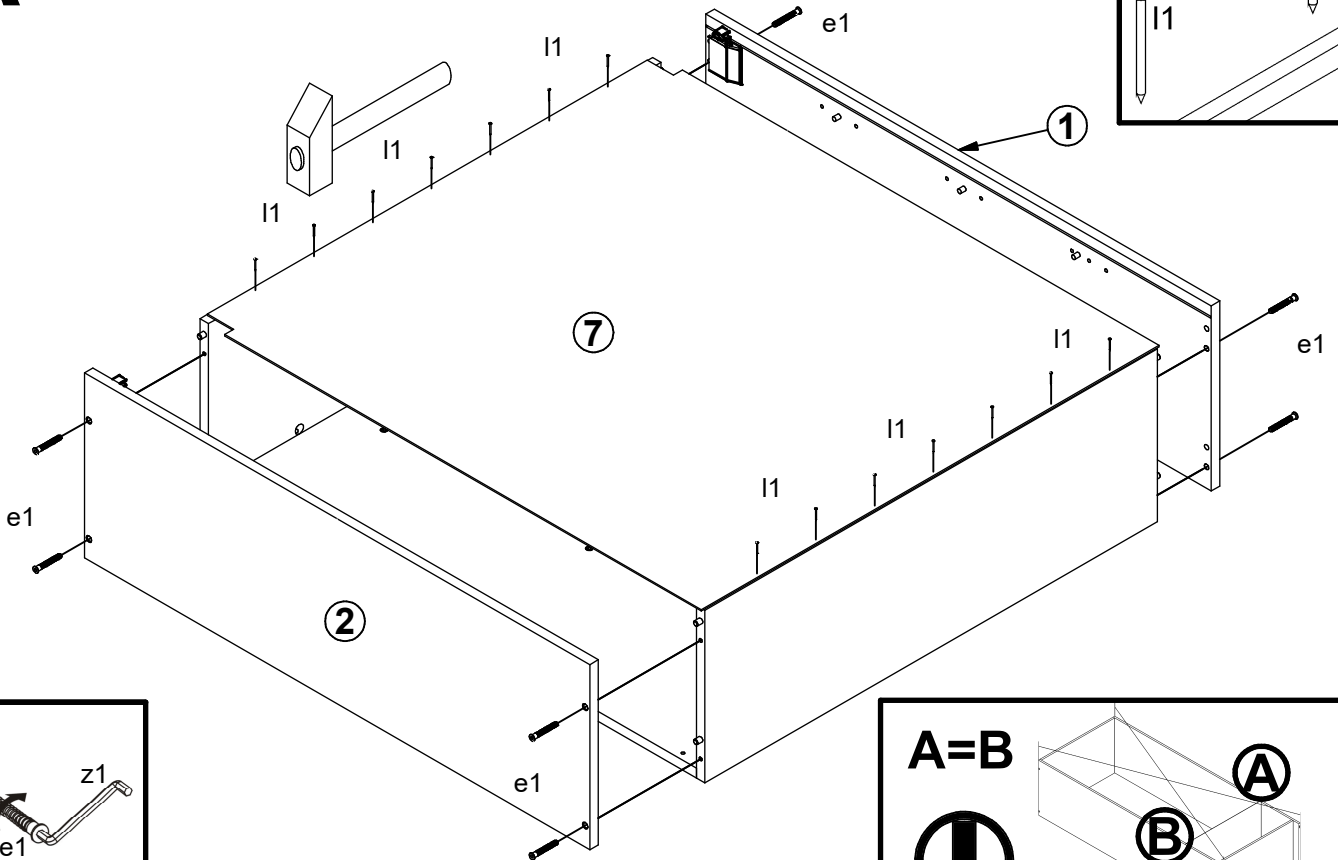
3L



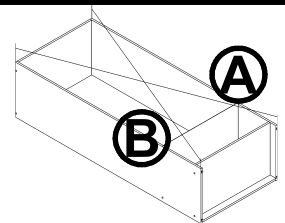
A=B



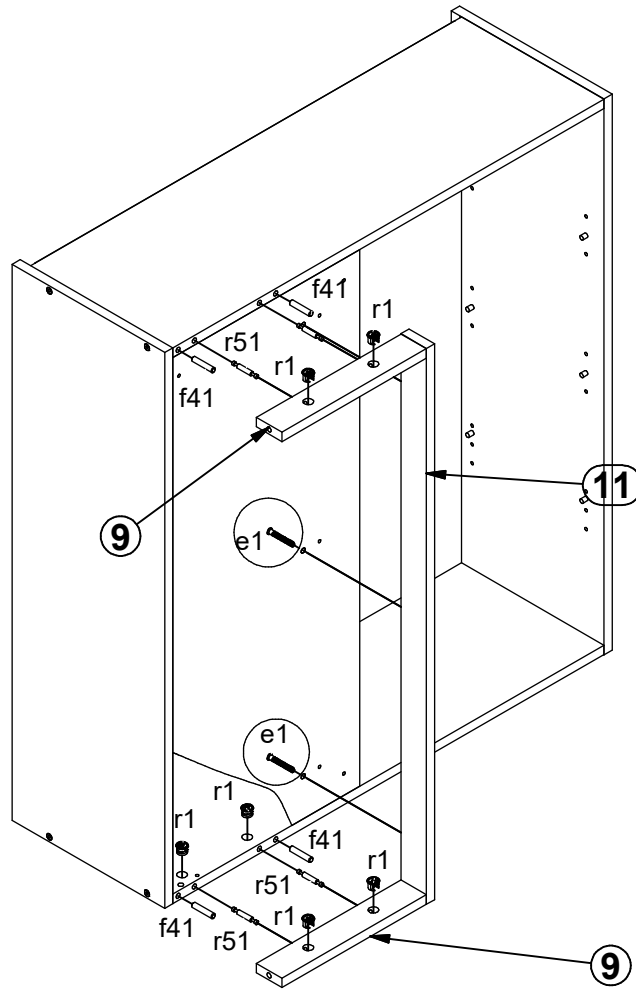
R



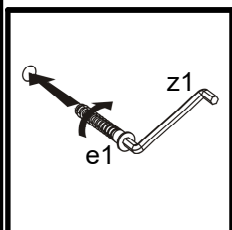
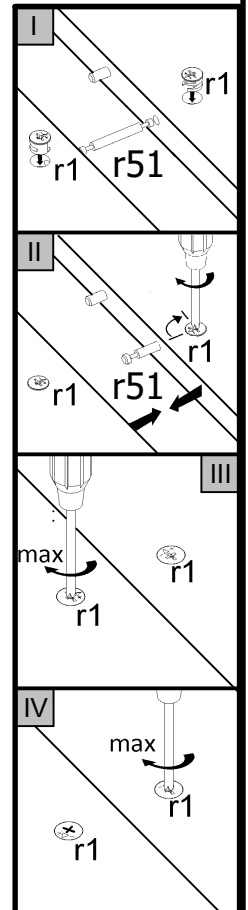
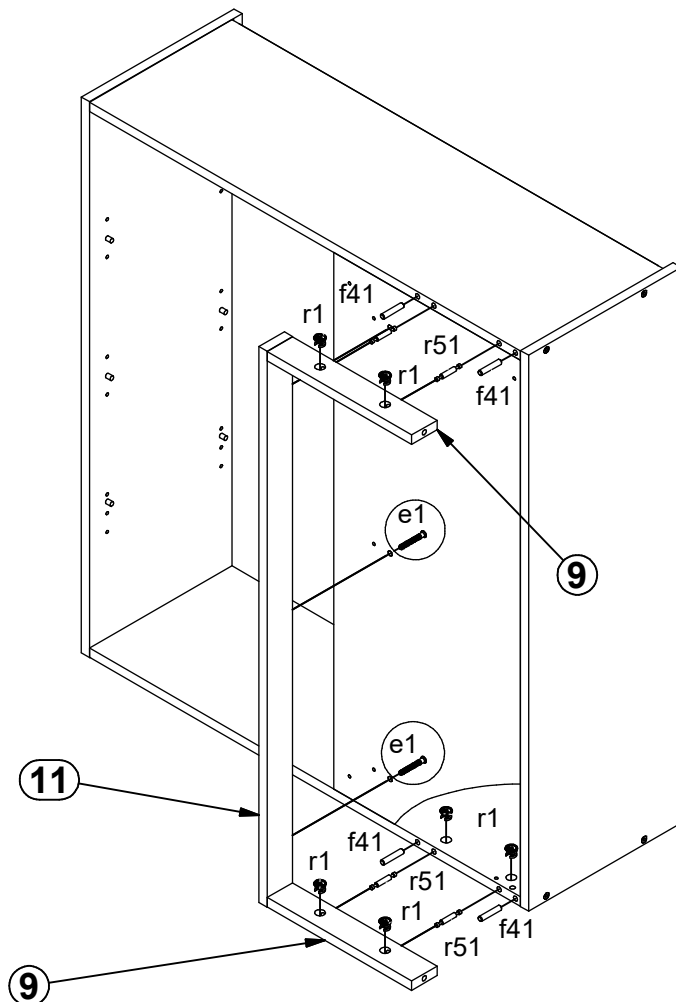
A=B



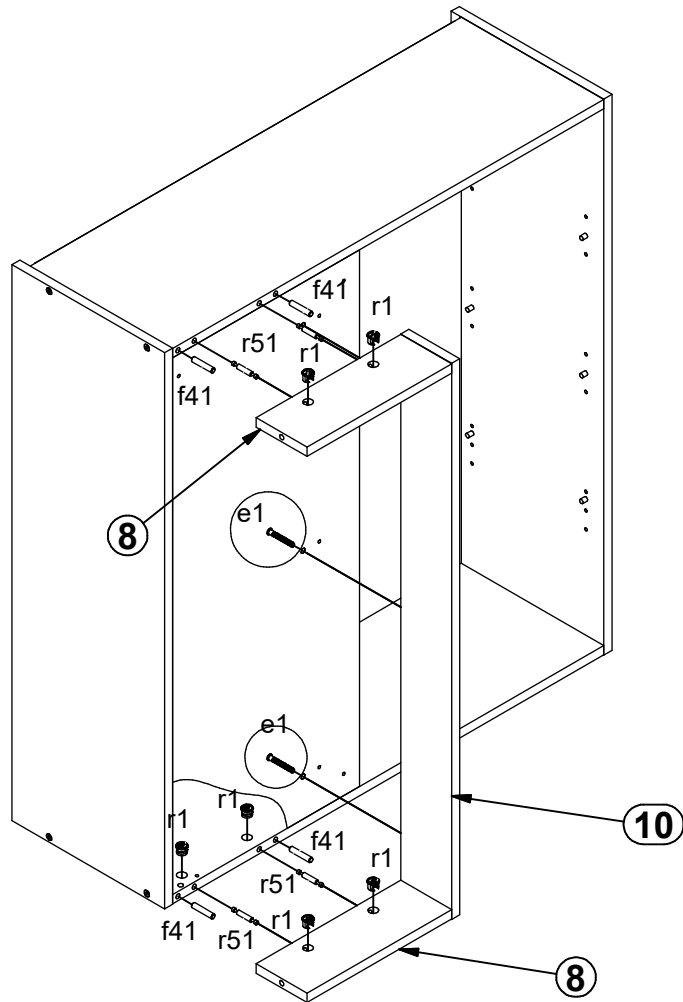
4L



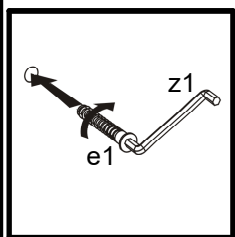
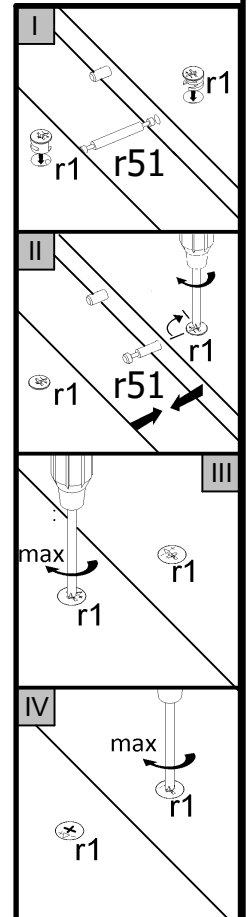
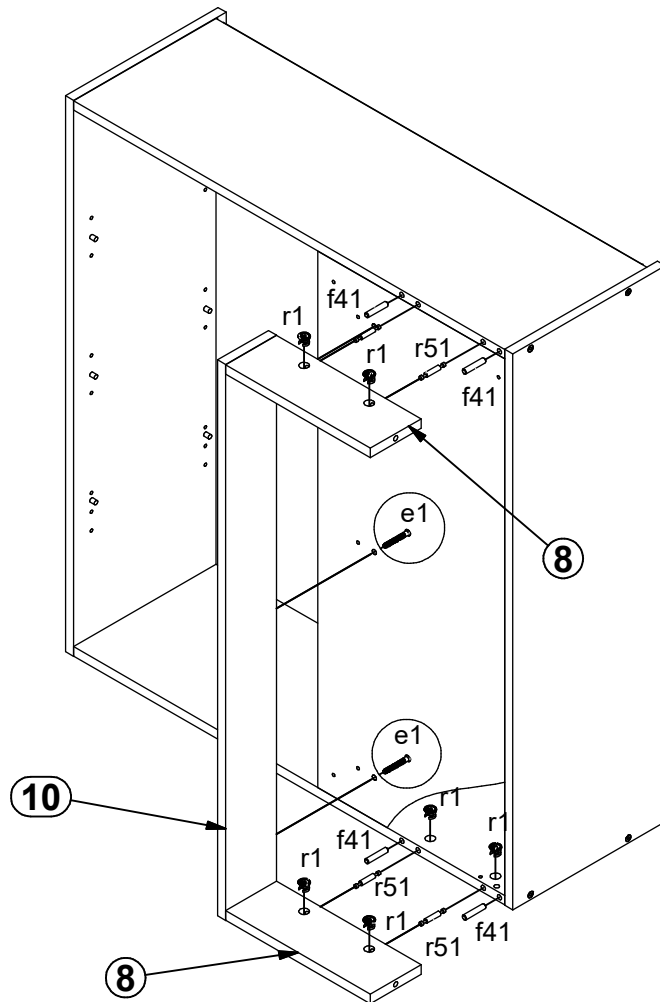
R



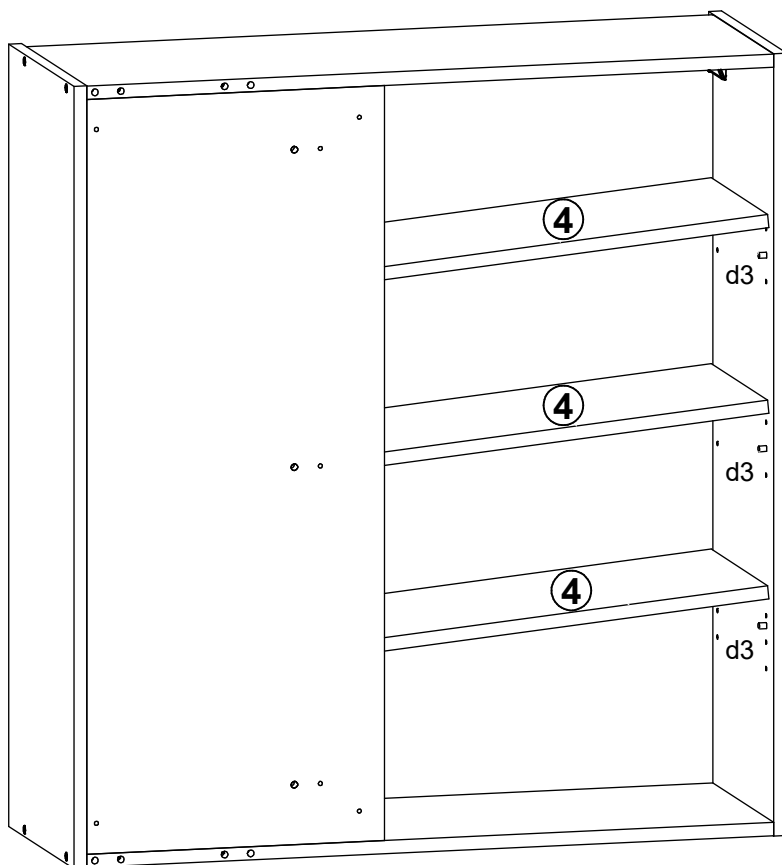
5L



R



6L



R

