

**A**

# Senso

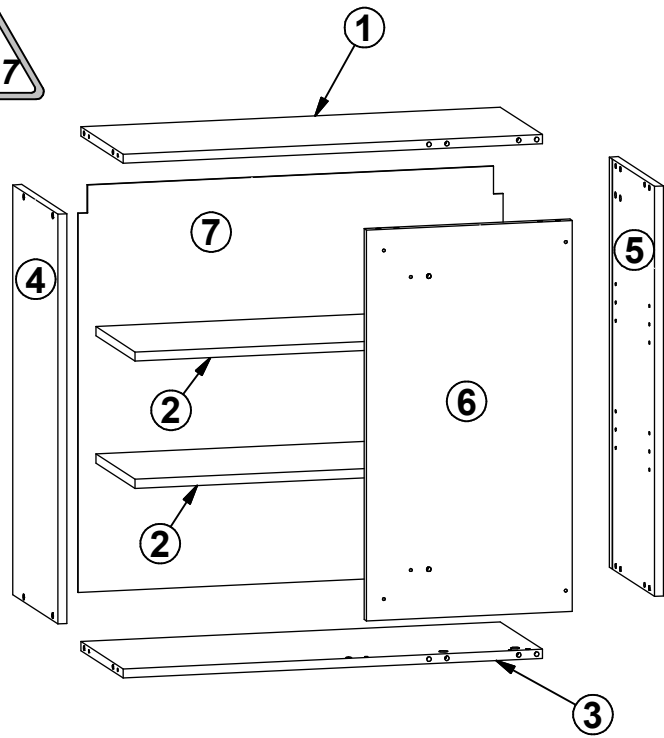
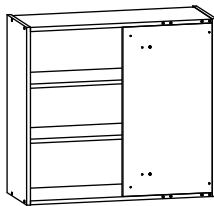
**K31-GNW-80/72**

A	B	C	D	
1	K31-3246	747	280	1/1
2	K31-3248	747	260	1/1
3	K31-3247	747	280	1/1
4	K31-1349	716	300	1/1
5	K31-1350	716	300	1/1
6	K31-4192	683	367	1/1
7	K31-9122	711	757	1/1

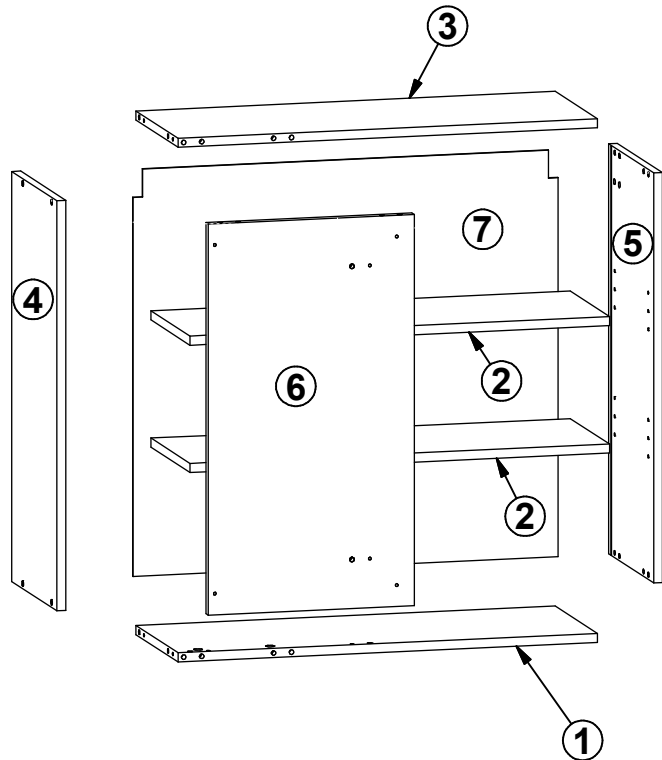
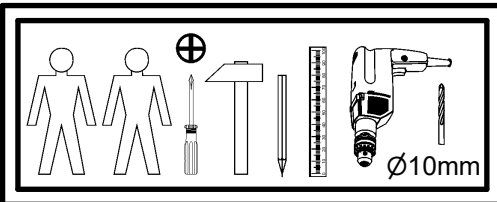
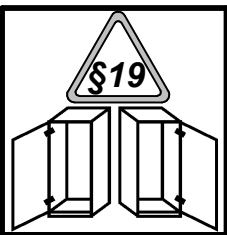
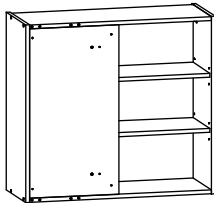


8	K31-4193	100	284	1/1
9	K31-4194	50	284	1/1
10	K31-4195	716	100	1/1
11	K31-4196	716	50	1/1

**R**



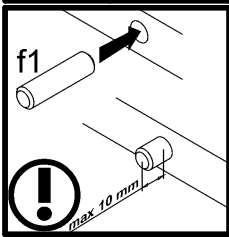
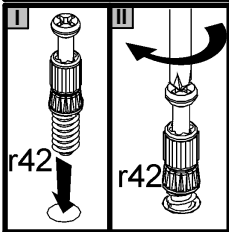
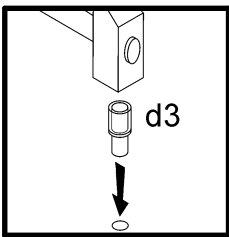
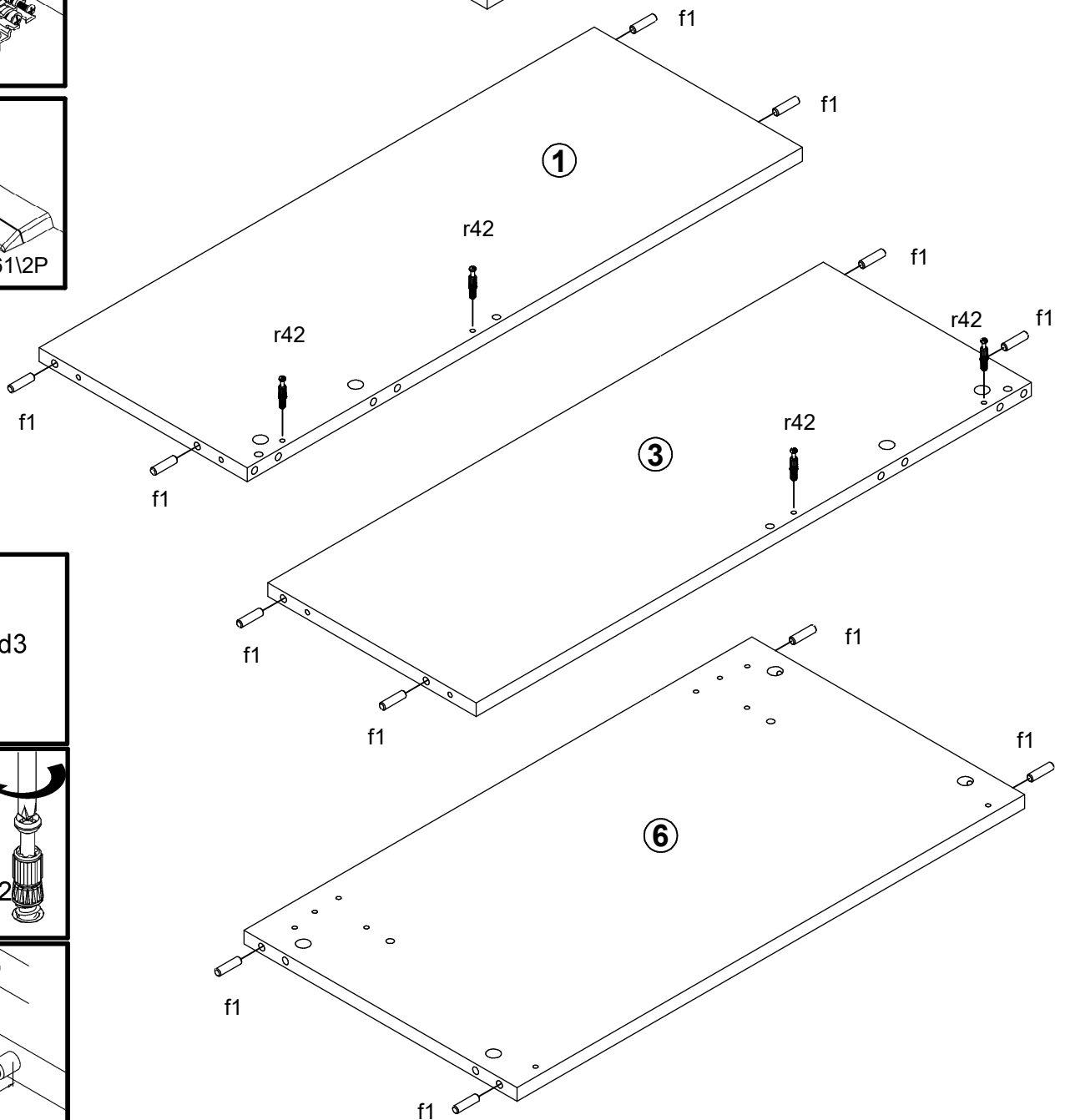
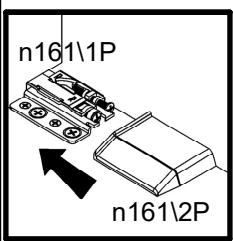
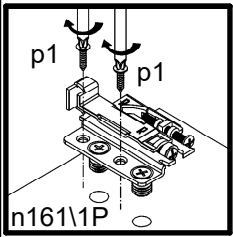
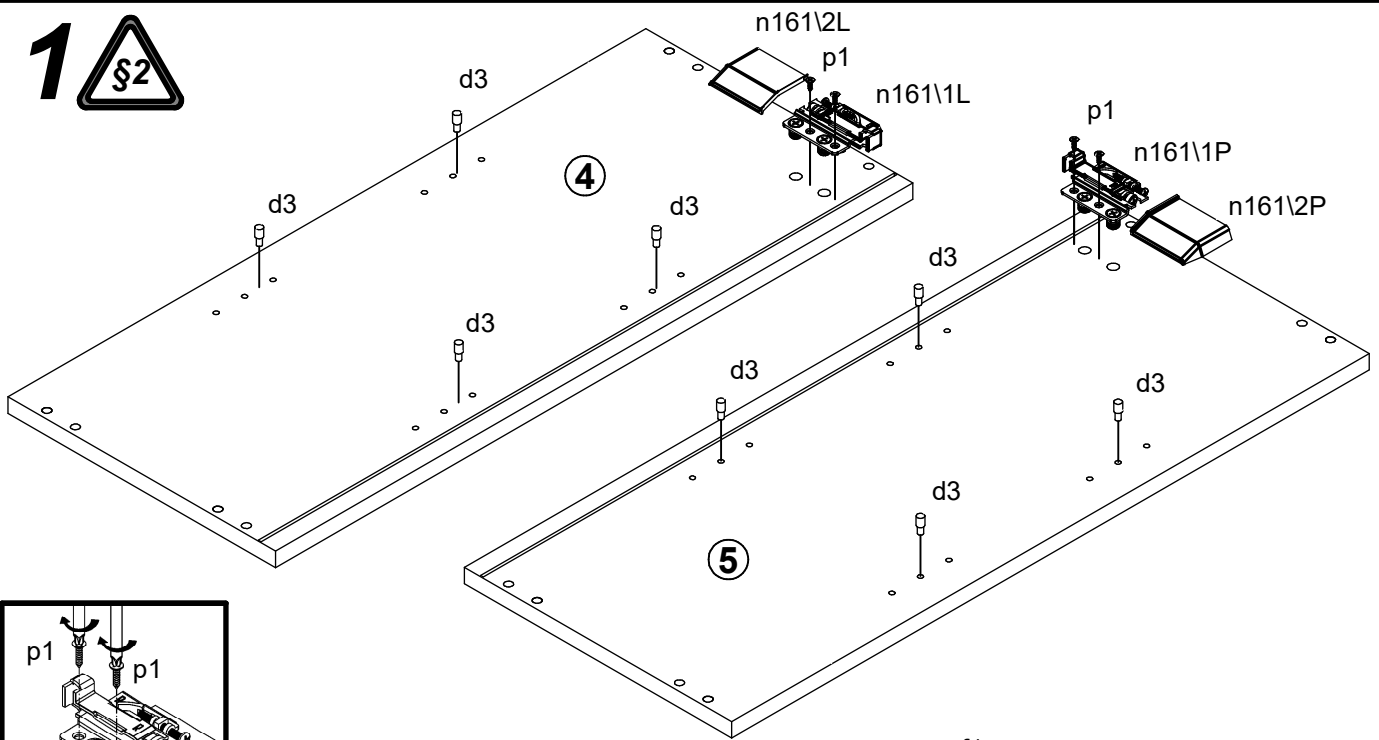
**L**



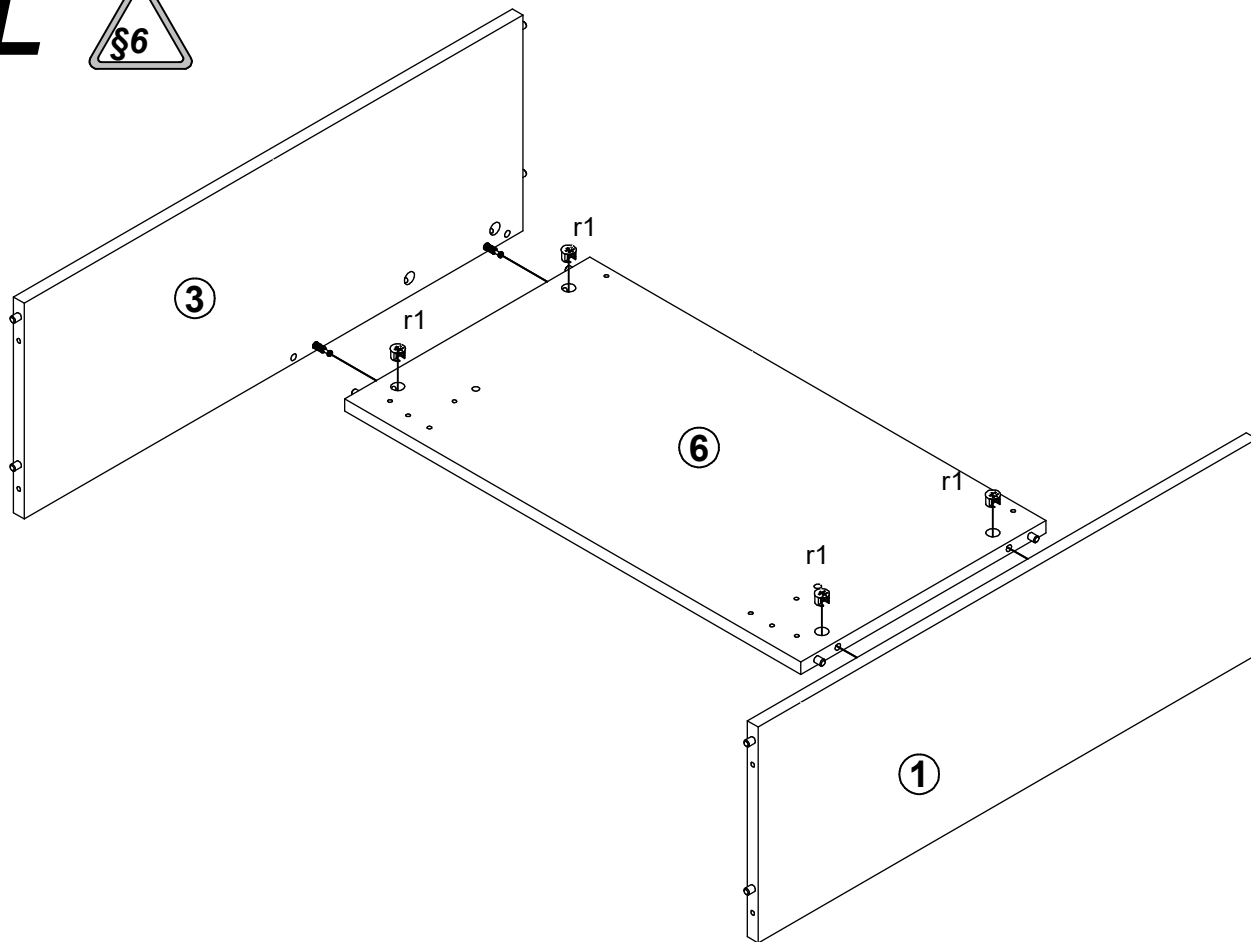
8x Ø5x17 mm d3	10x Ø7x50 mm e1	12x Ø8x30 mm f1	4x Ø8x40 mm f41	15x 1.4x20 mm l1
4x Ø3.5x13 mm p1	4x 20/11 r42	4x 40 mm r51	1x n161\1P	1x n161\1L
1x n161\2P	1x n161\2L	1x 4 mm z1	2x Ø5x60 mm p17	2x Ø10x50 mm f35
4x Ø6.3x13 mm e5	1x qc35\LP	12x Ø15x12 mm #16 r1		

2x a197	2x d9 b97
3x Ø3.5x20 mm p20	4x Ø4x28 mm p94
6x M4x12 mm j45\1	3x j45\2
2x 45mm a221	8x Ø14x0.5 mm s59
	4x Ø3.5x15 mm p51

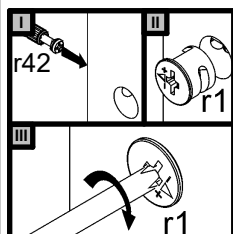
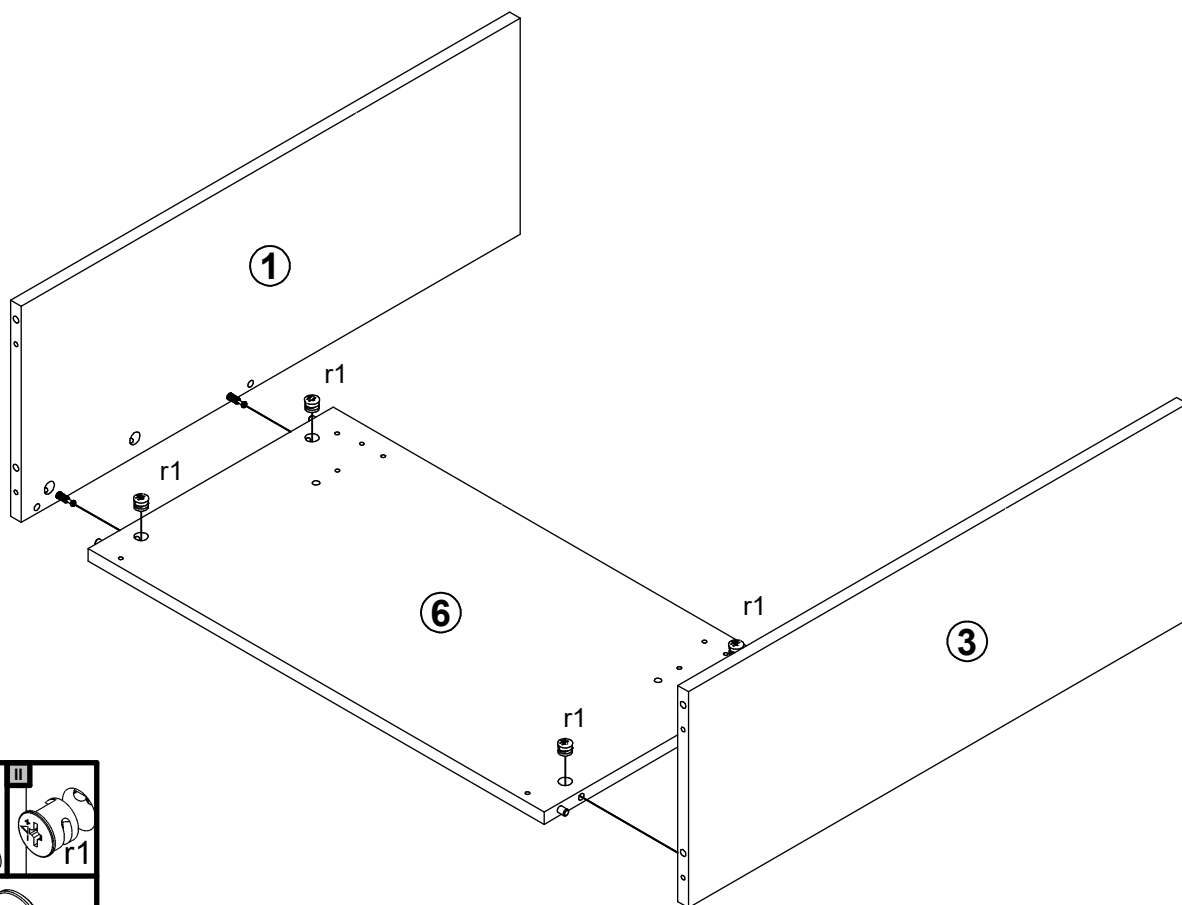
1 



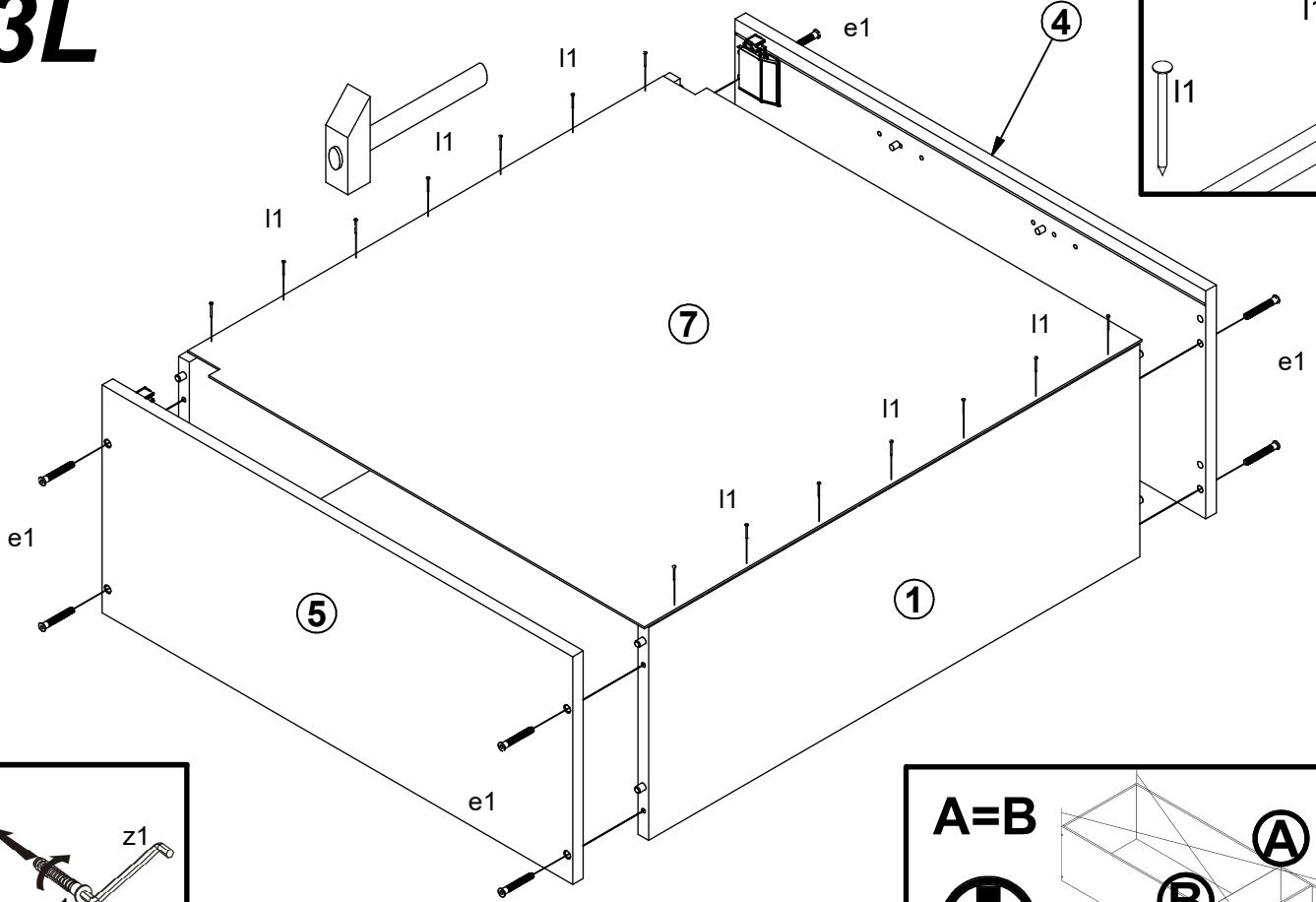
# 2L



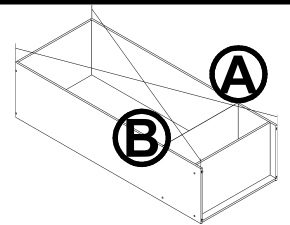
# R



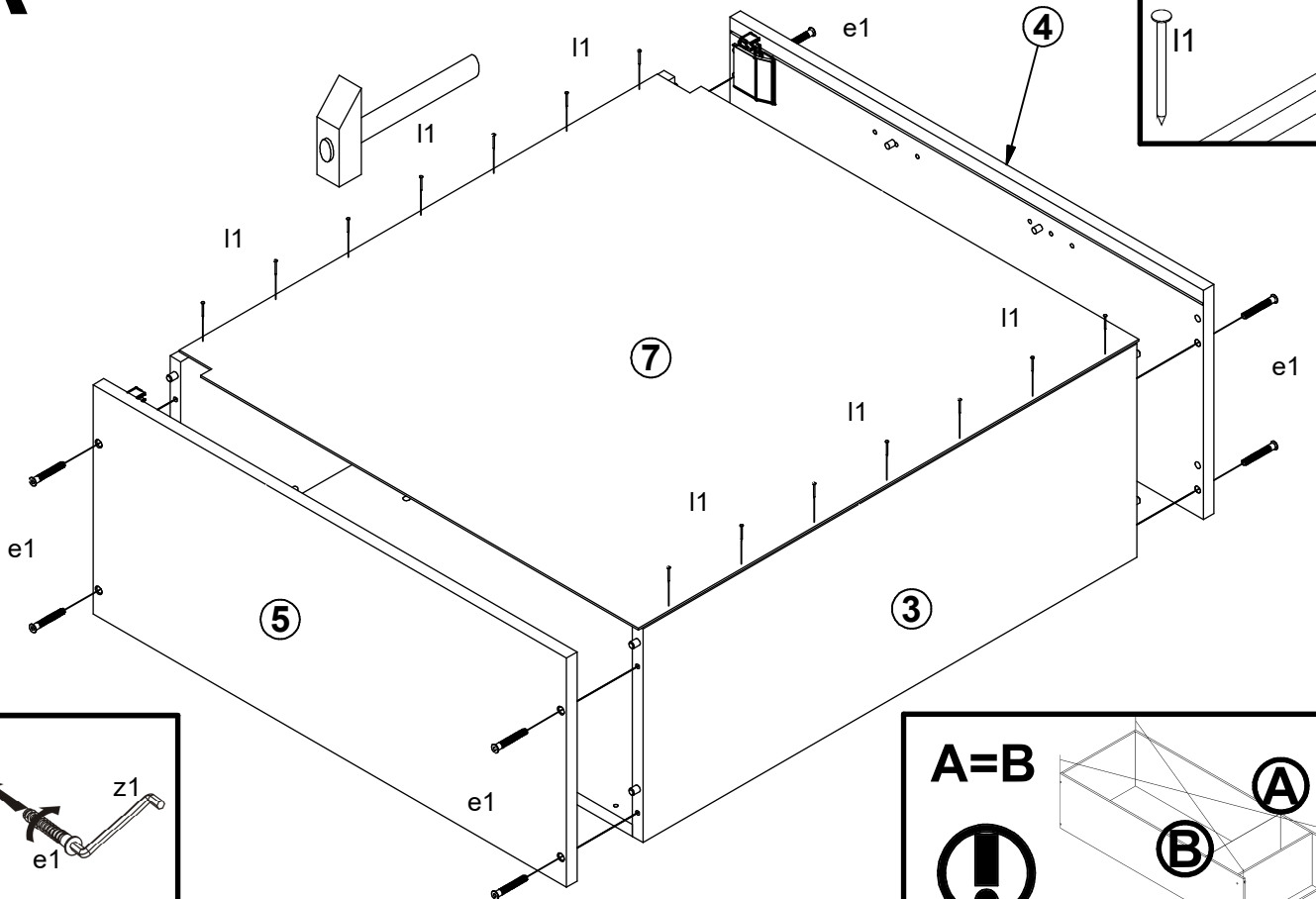
# 3L



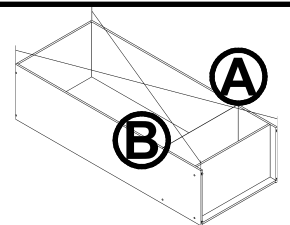
A=B



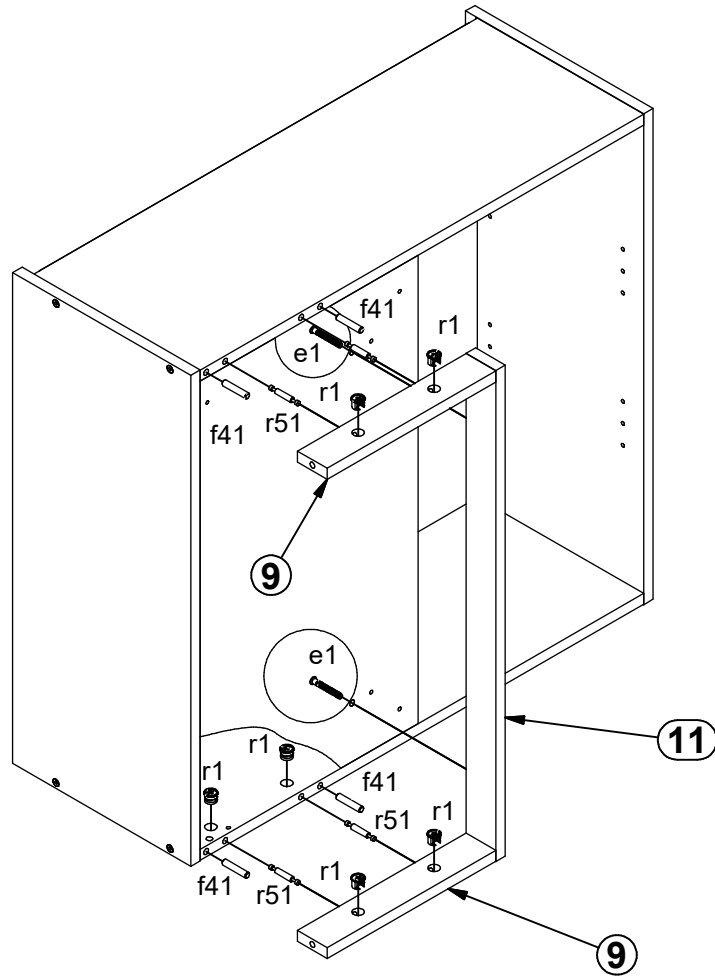
# R



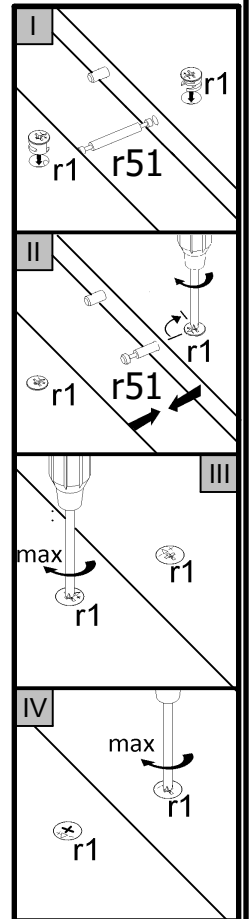
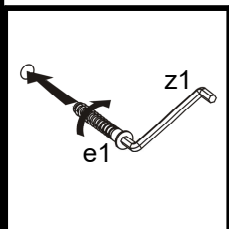
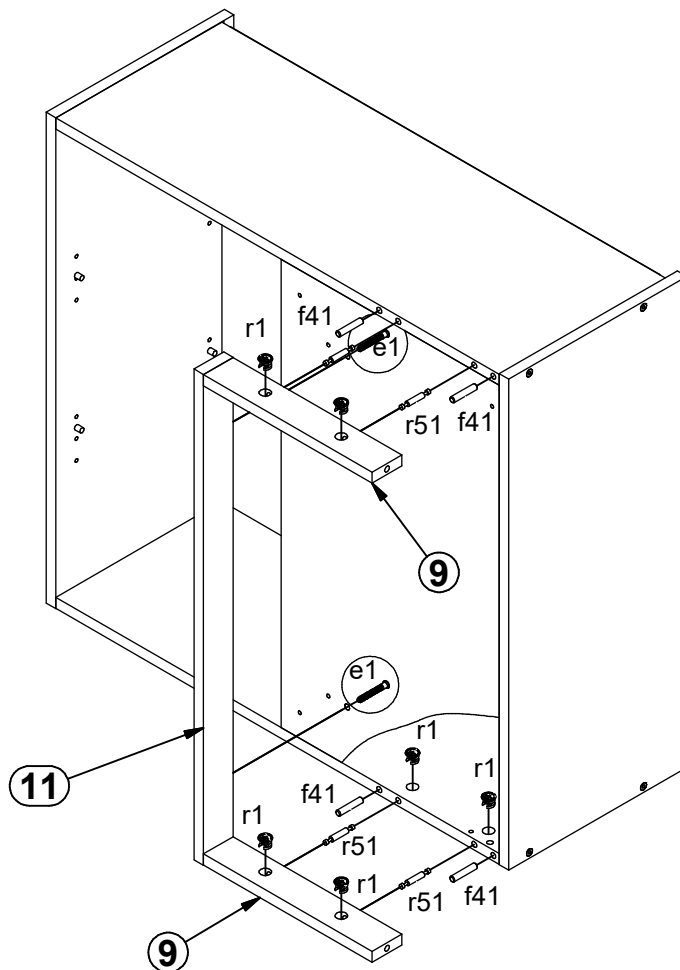
A=B



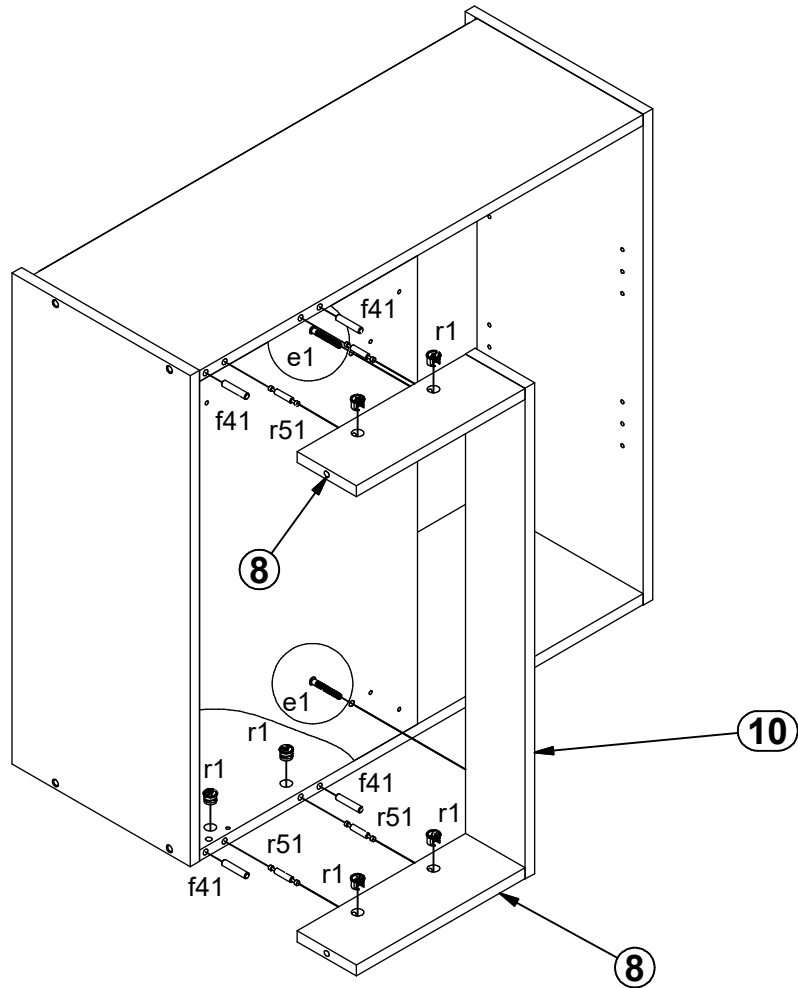
# 4L



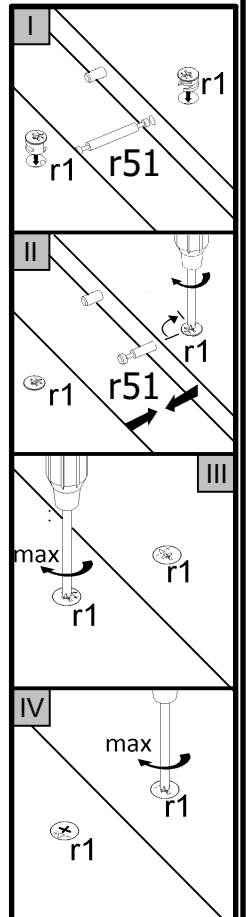
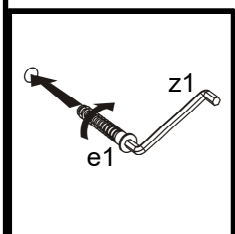
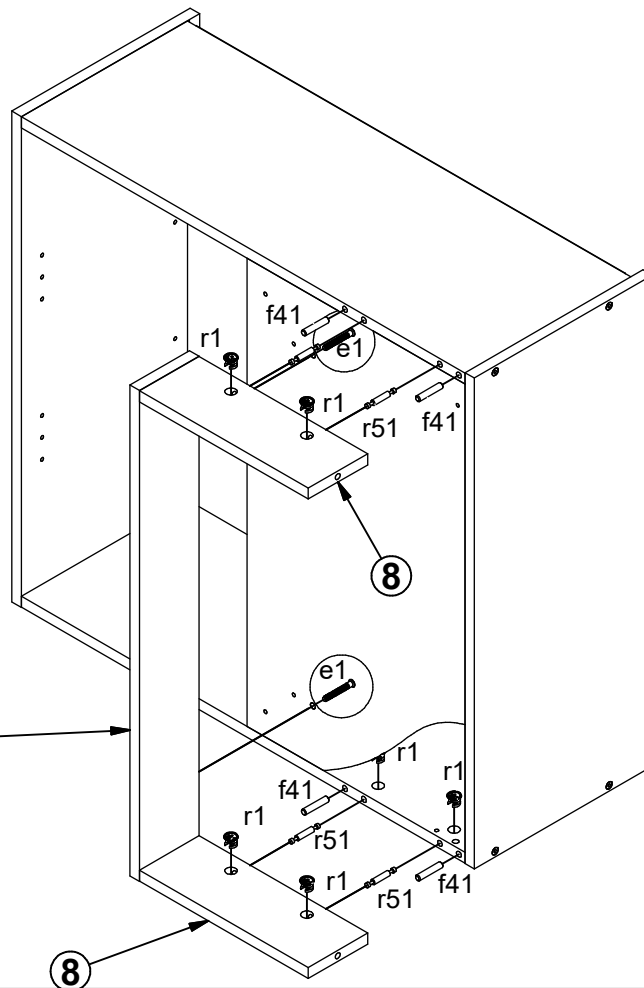
# R



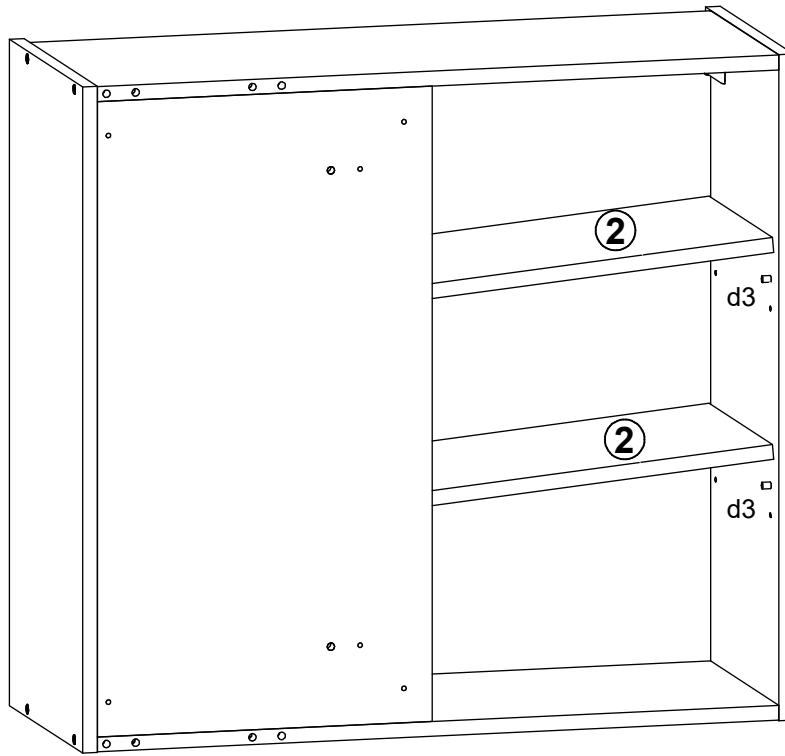
# 5L



# R



# 6L



# R

