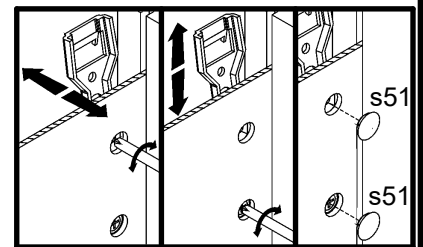
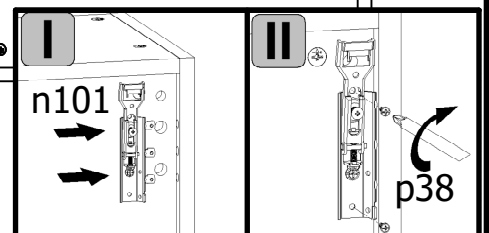
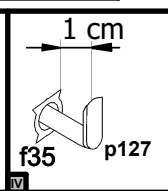
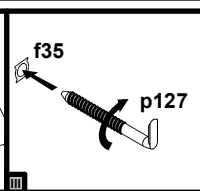
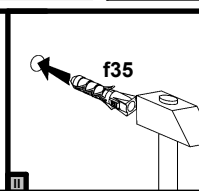
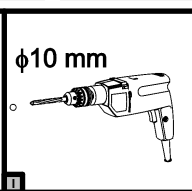
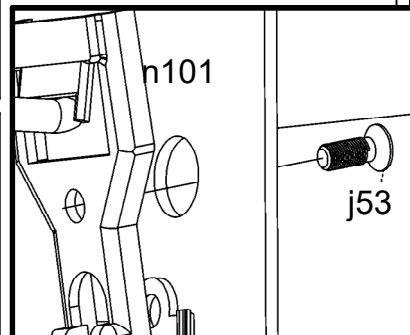
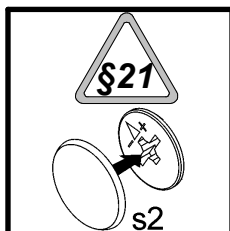
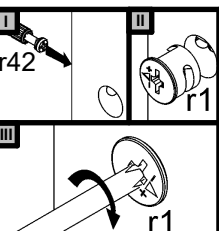
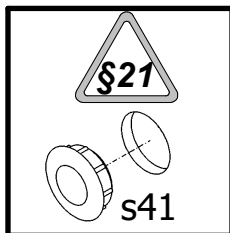
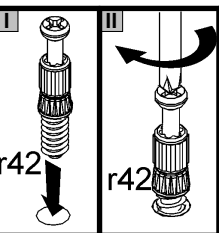
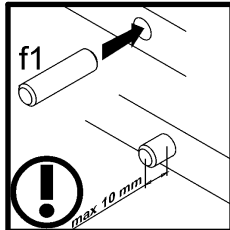
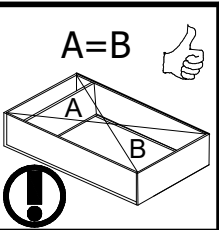
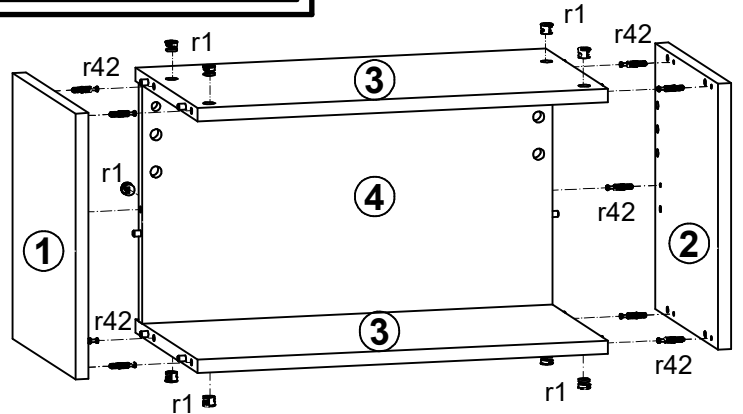
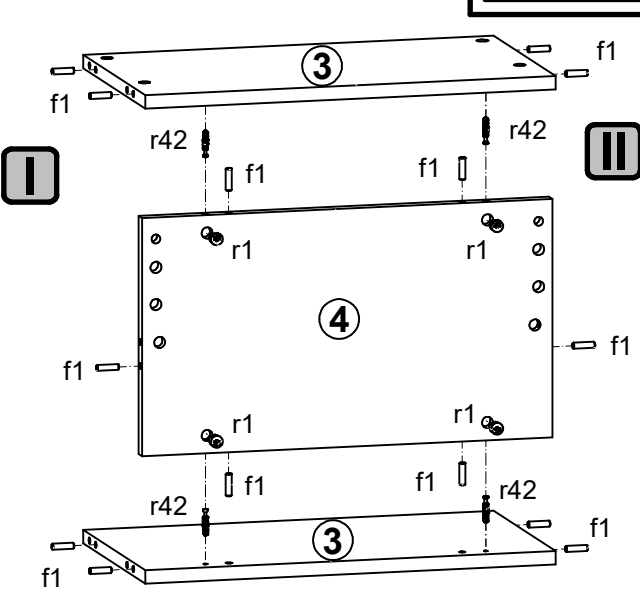
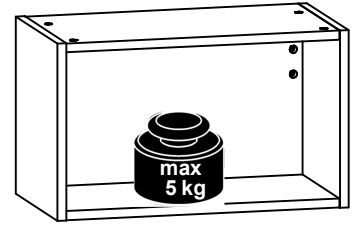
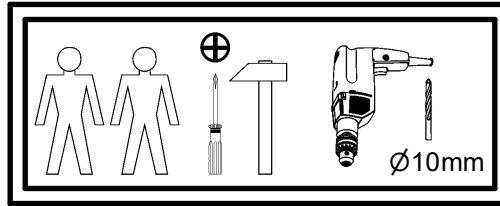


A

K38-RB-LAM-GREG-60/36/32

A	B	C	D	
1	K38-1017	357	320	1/2
2	K38-1018	357	320	1/2
3	K38-3005	562	318	1/2
4	K38-4008	320	562	2/2



14x Ø8x30 mm f1	1x n101L	1x n101P	4x Ø3.5x16 mm p38	14x Ø15x12 mm #16 r1	14x 20/11 r42	2x Ø10x50 mm f35	2x Ø6x60 mm p127	6x M4x12 mm j45V1
3x Ø5x23 mm j45V2	2x M4x25 mm j53					4x Ø16 s2	2x Ø12x4 mm s41	4x Ø15 s51