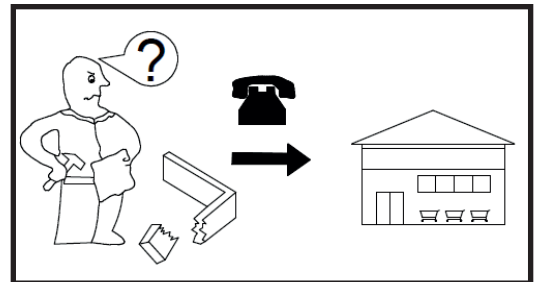
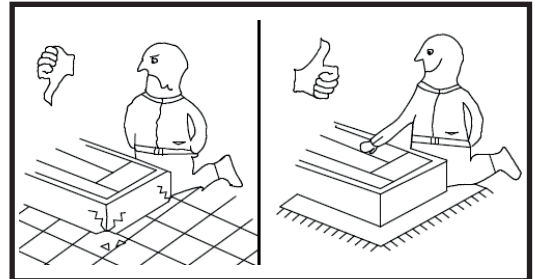
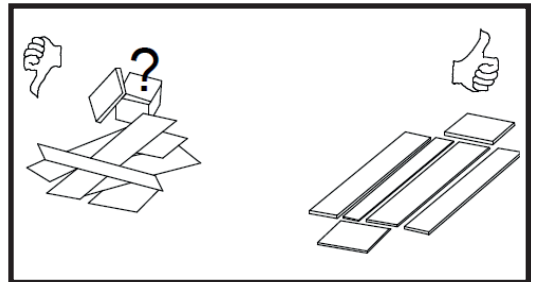
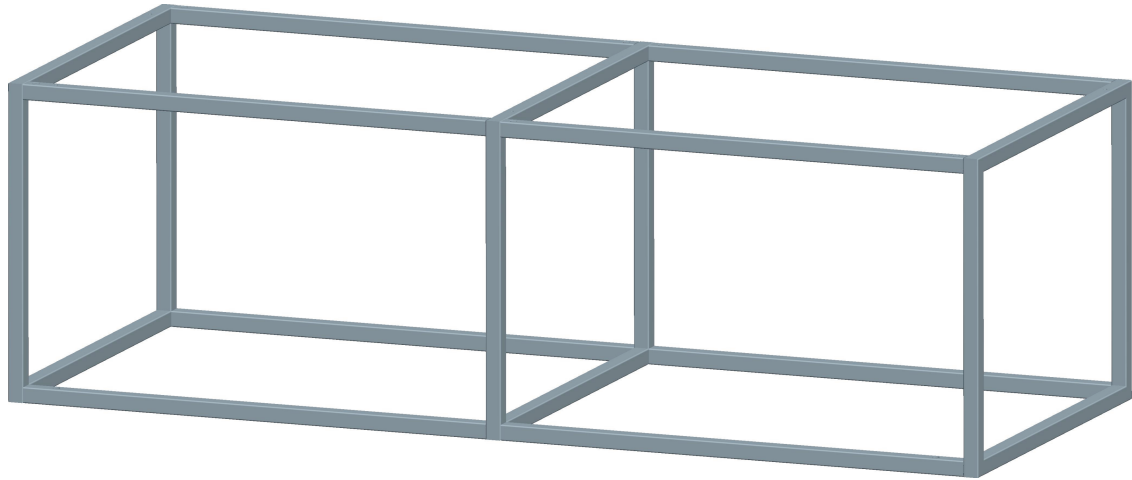
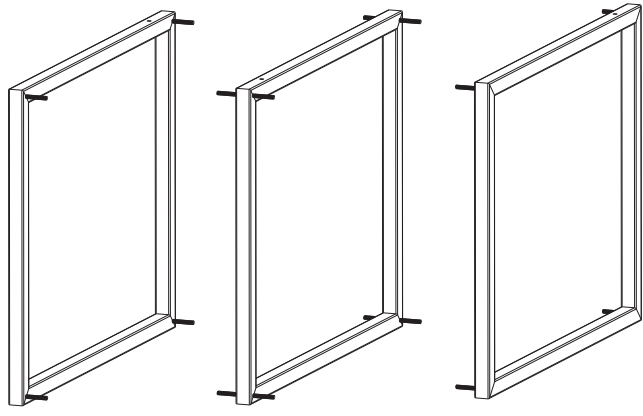
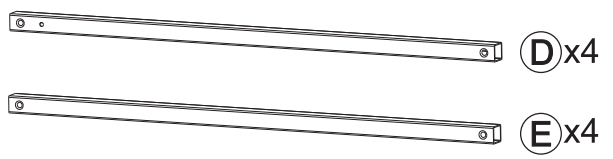


SR02-1159

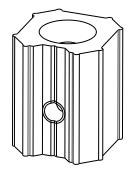




A x1 **B** x1 **C** x1



D x4
E x4



a x16



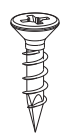
b x16



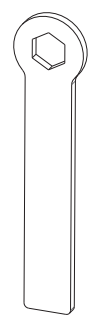
c x16



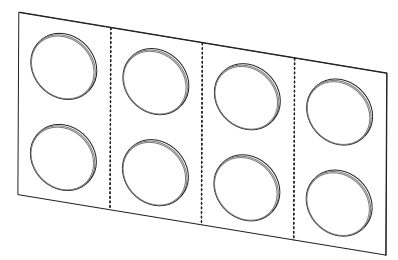
d x16



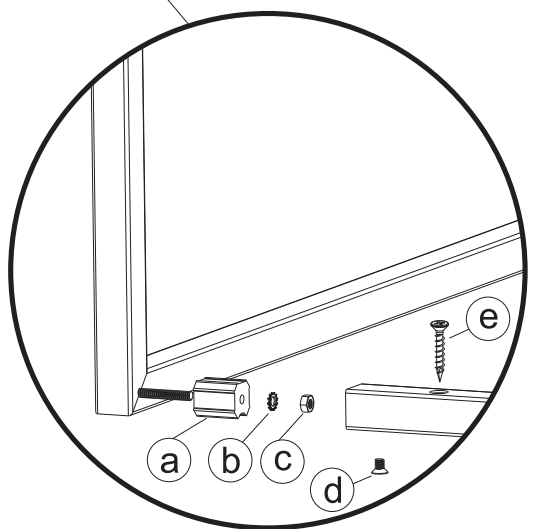
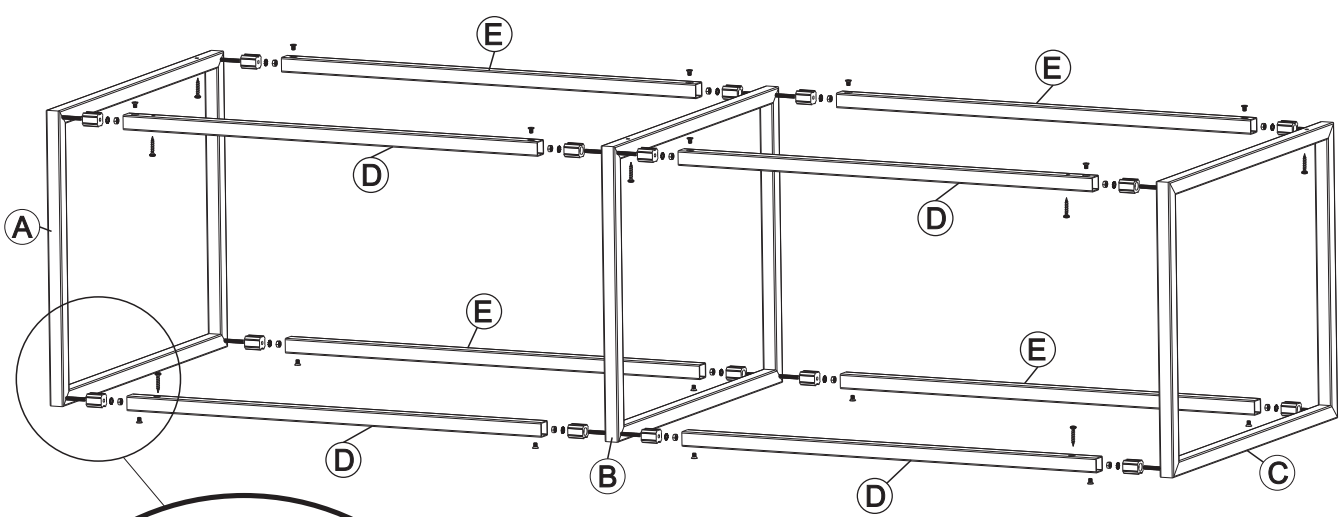
e x7

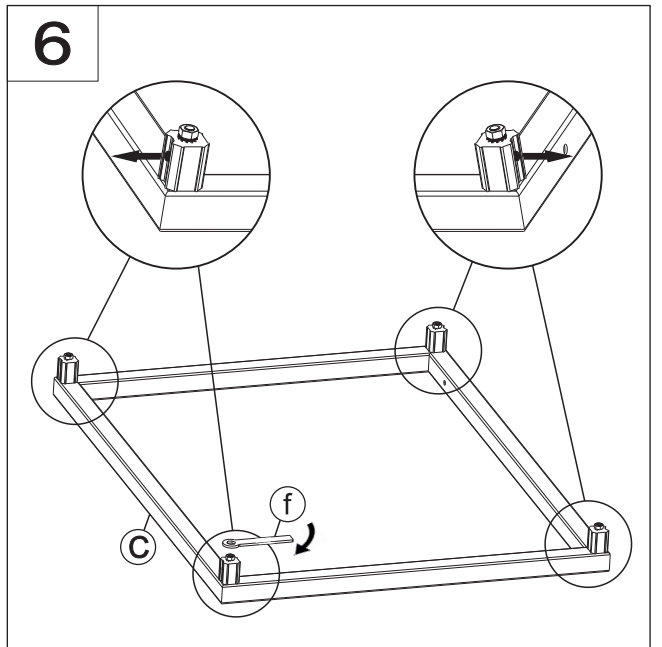
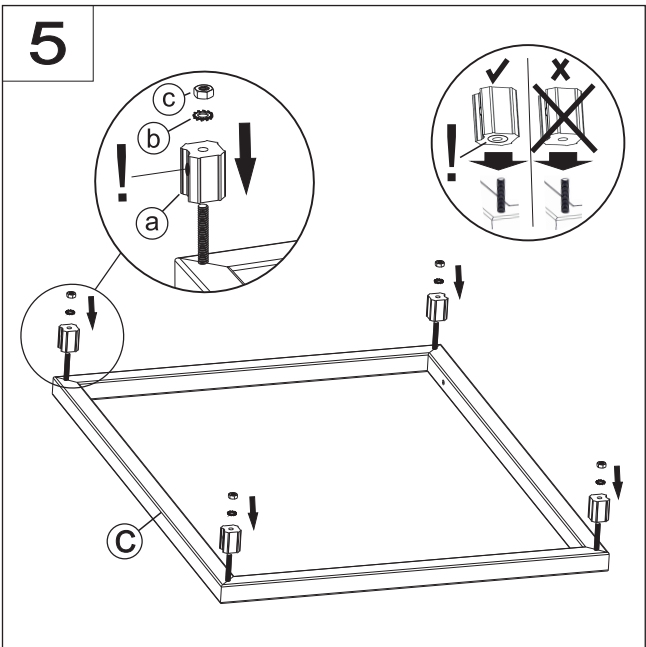
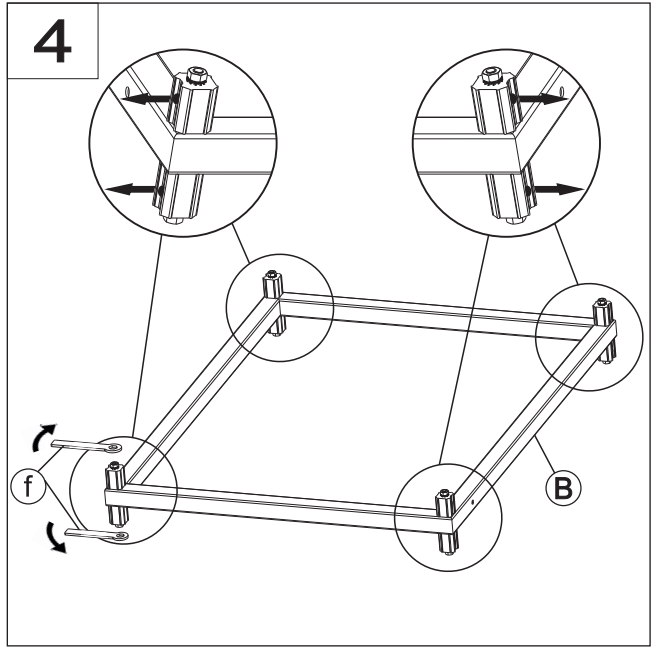
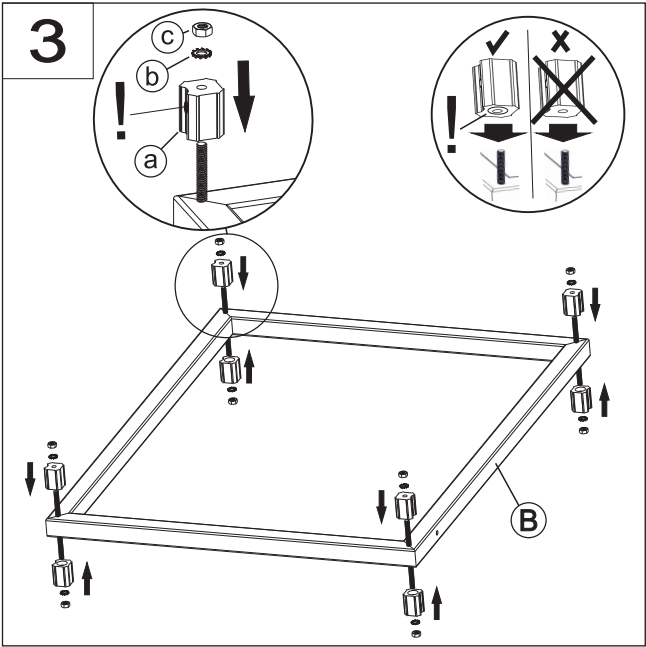
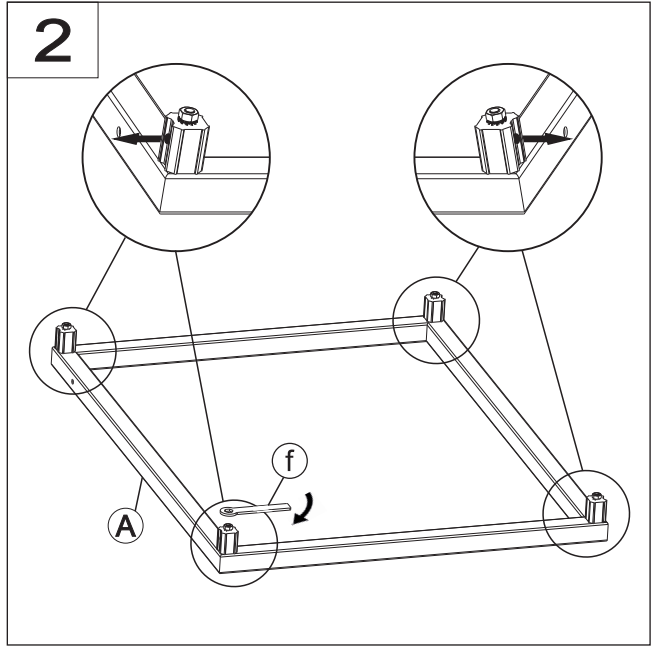
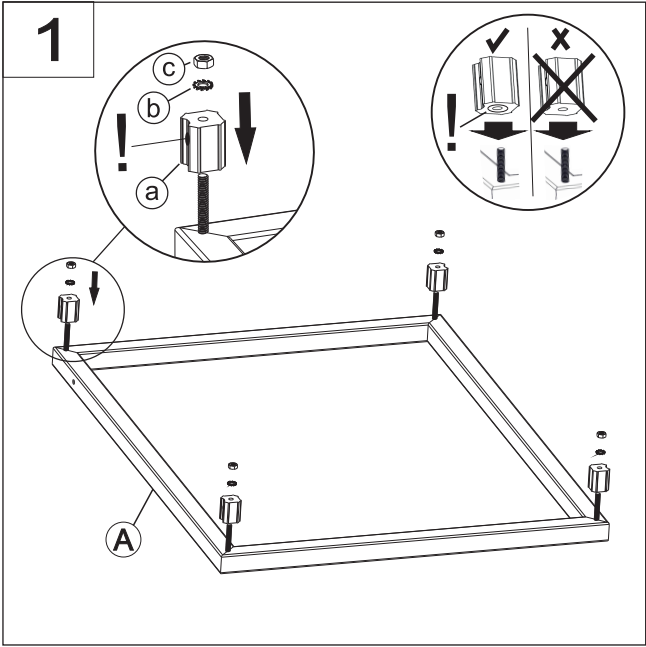


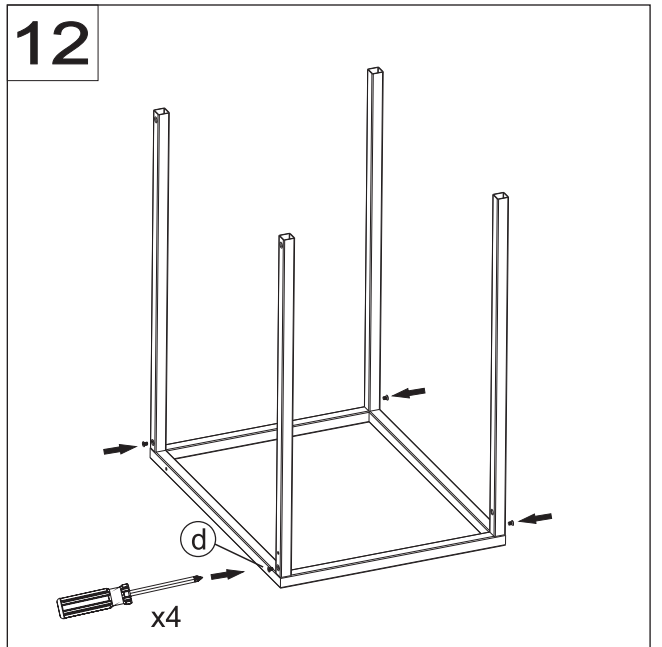
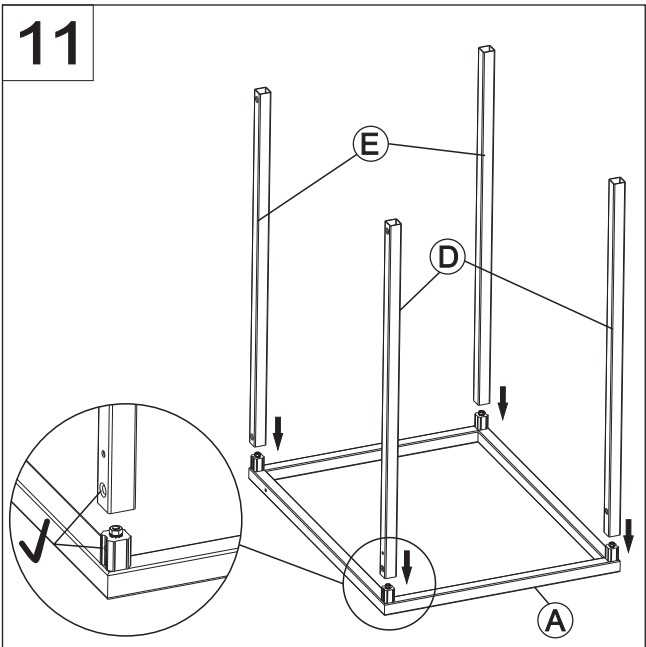
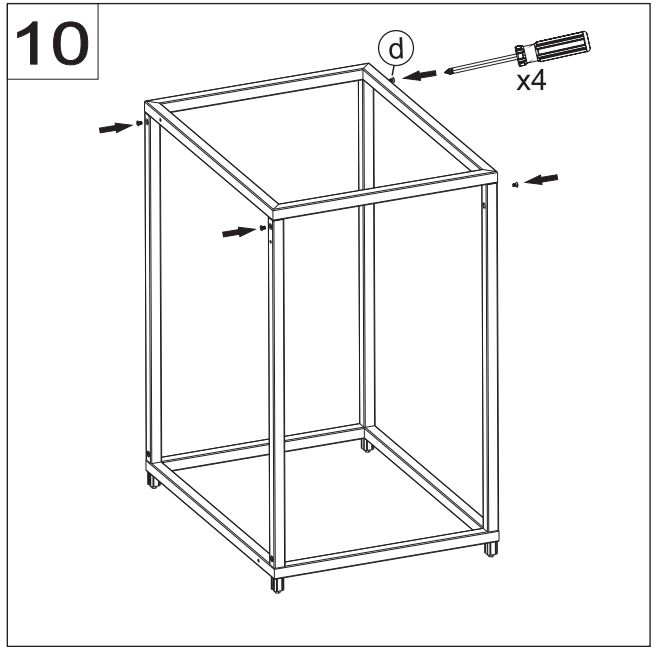
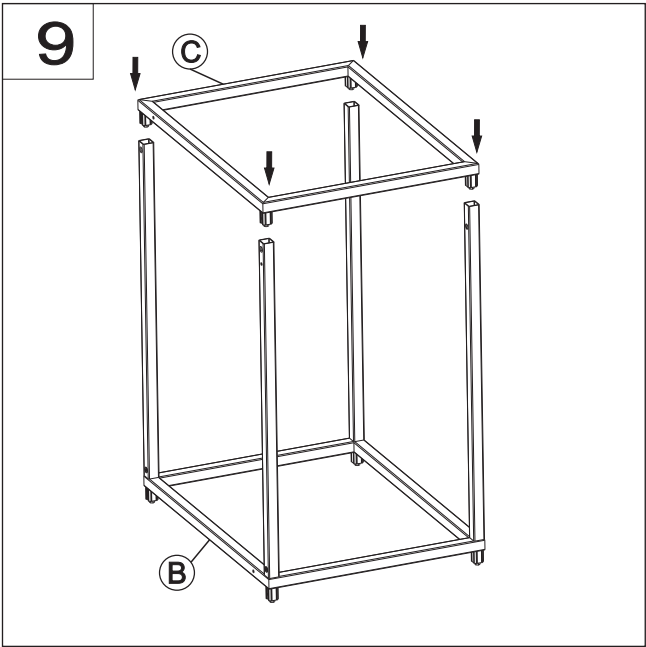
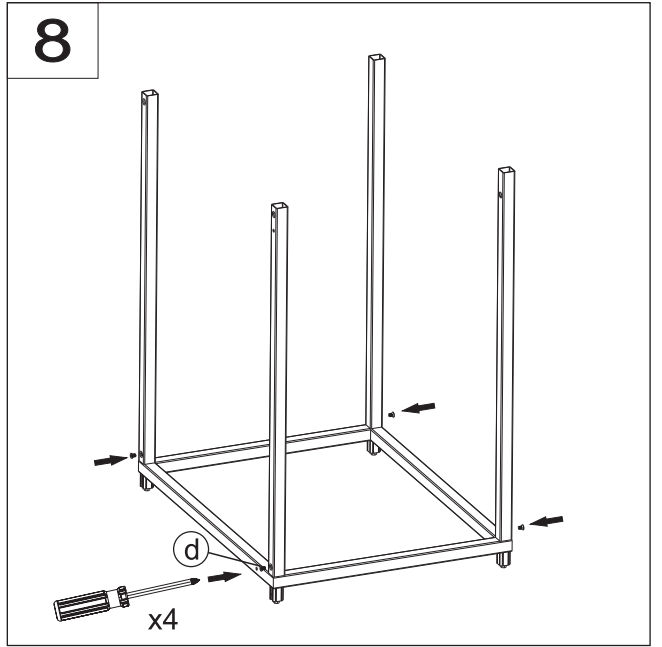
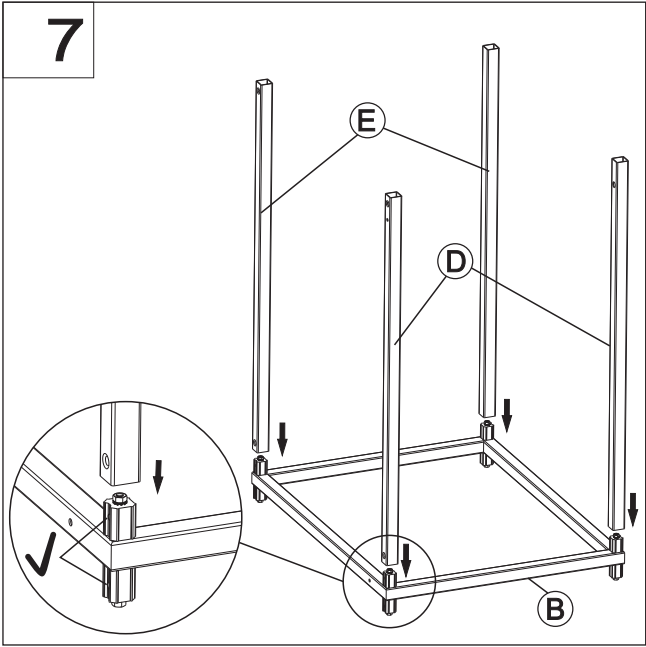
f x1



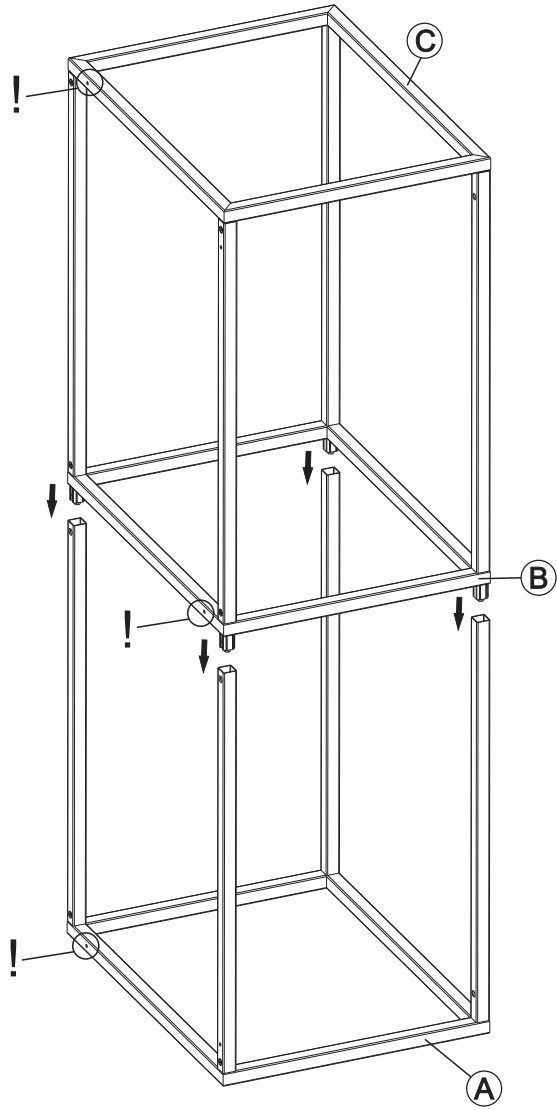
g x1







13



14

