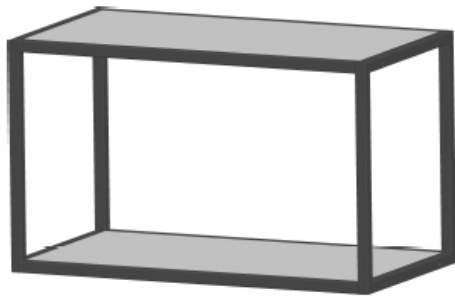
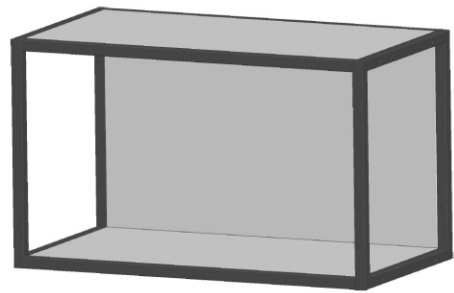


SR03-599

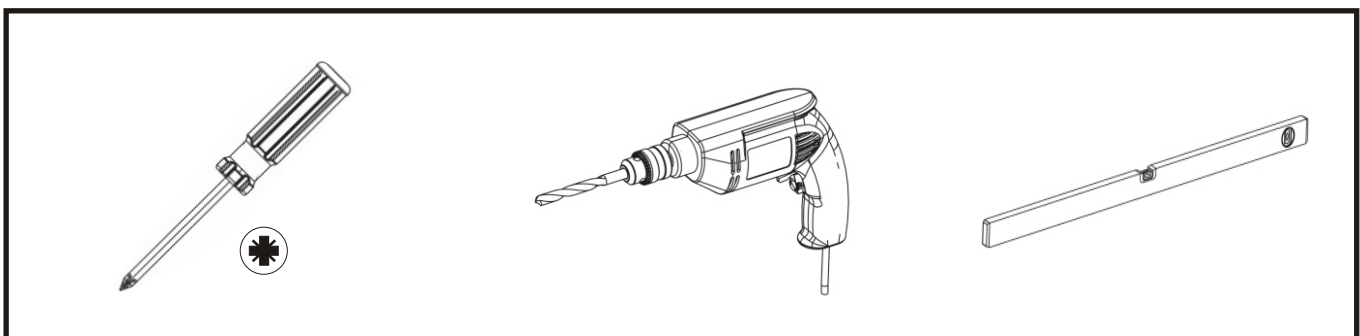
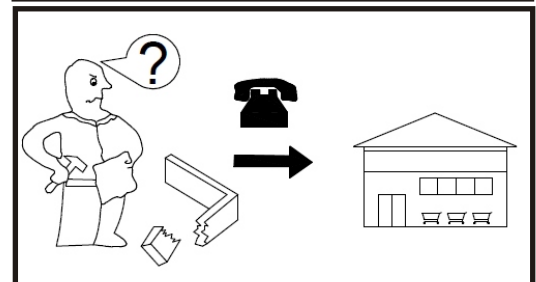
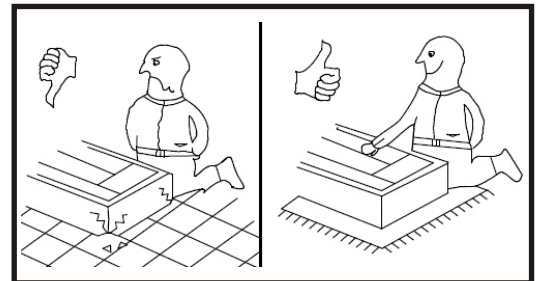
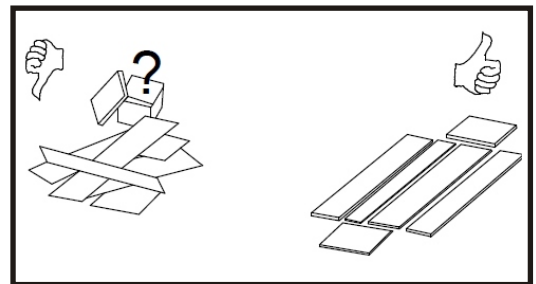
SR03-899



WARIANT 1

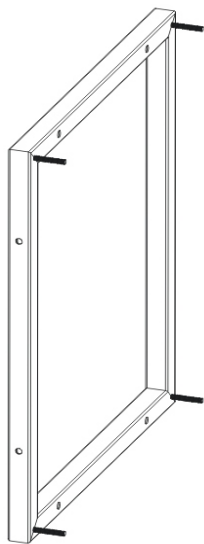
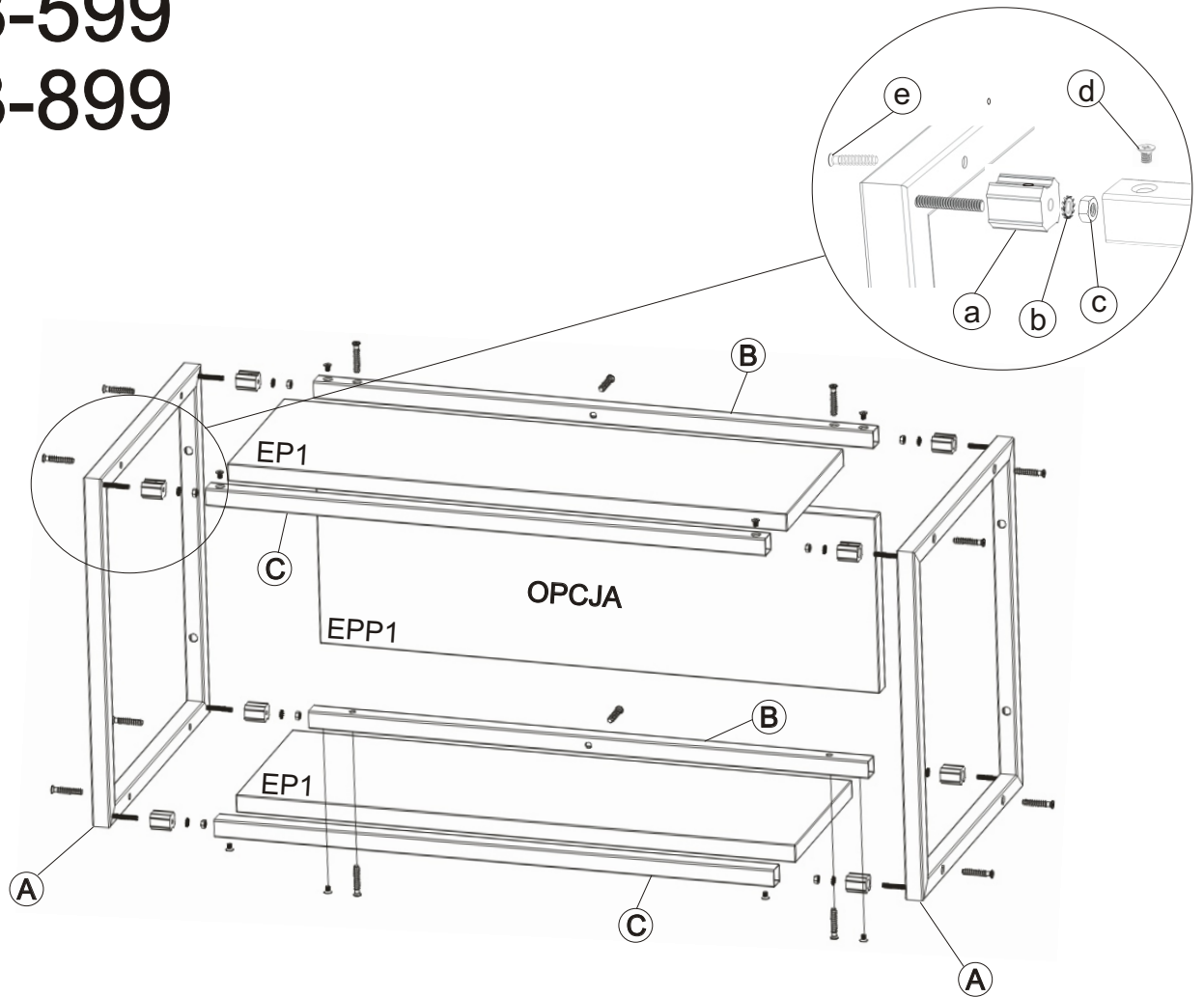


WARIANT 2



SR03-599

SR03-899



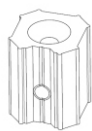
A x2



B x2



C x2



a
x8



b
x8



c
x8



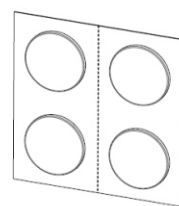
d
x8



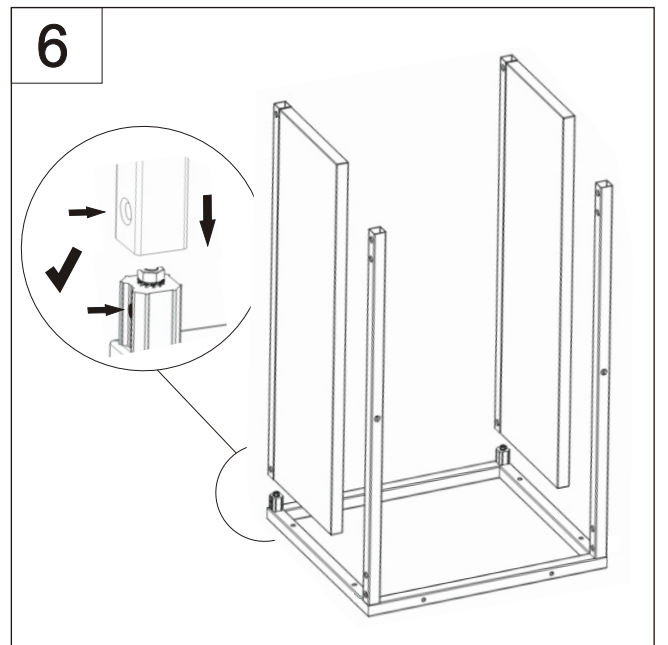
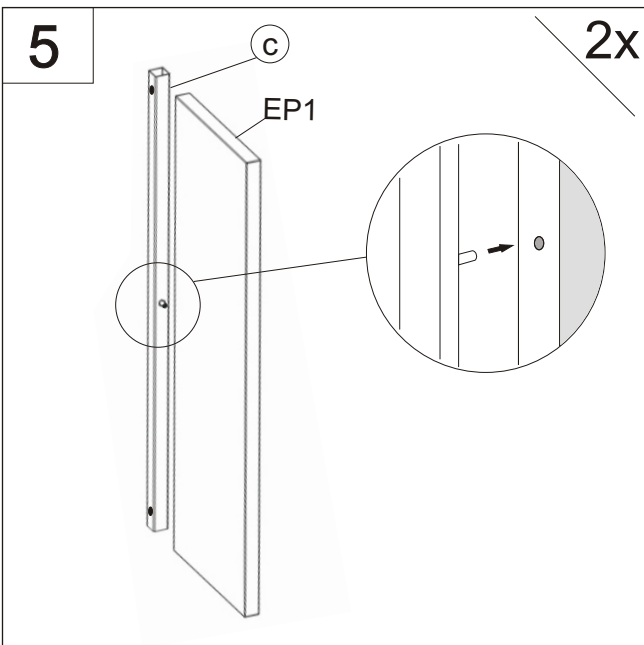
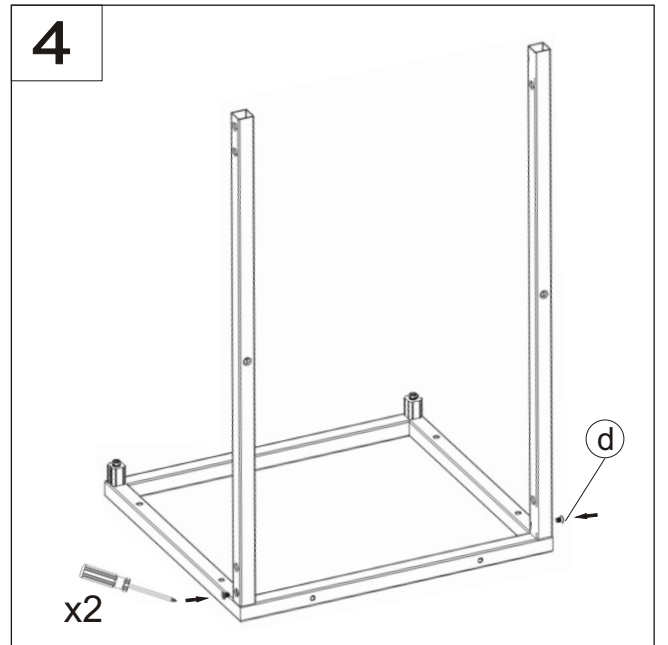
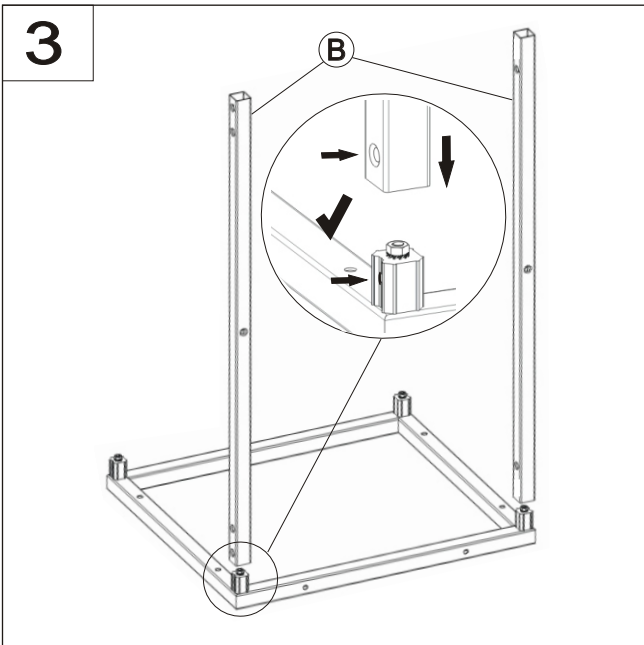
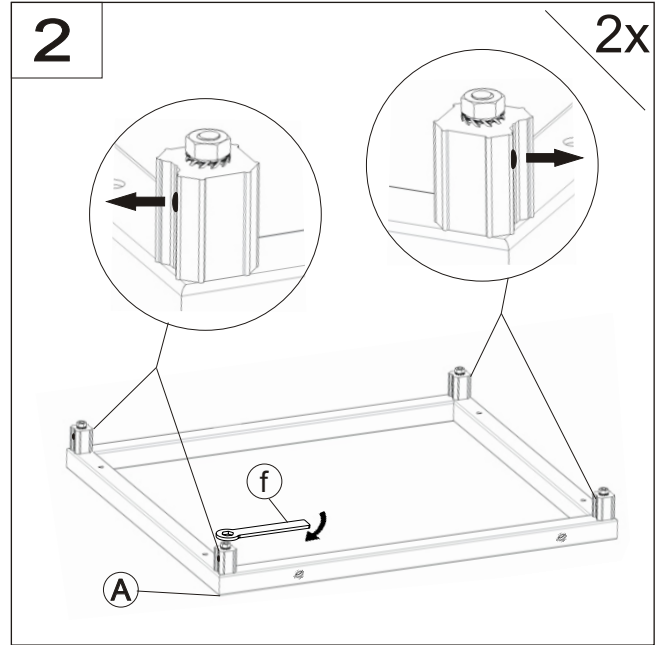
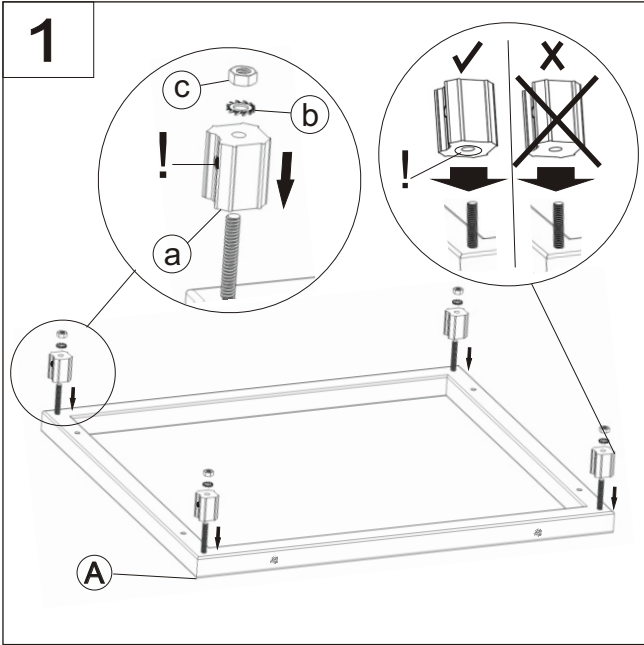
e
x14

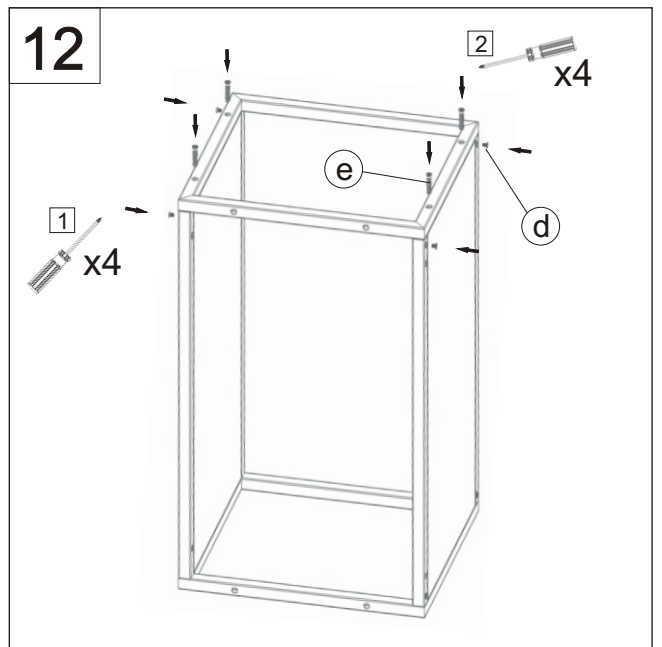
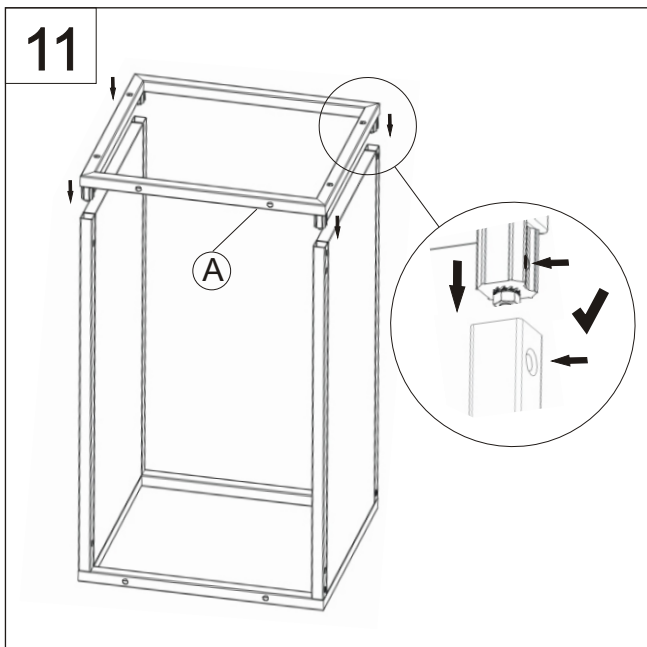
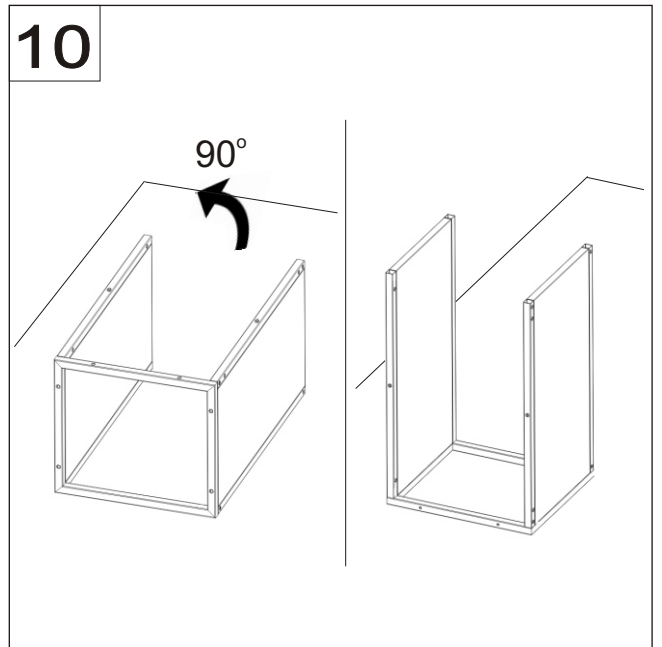
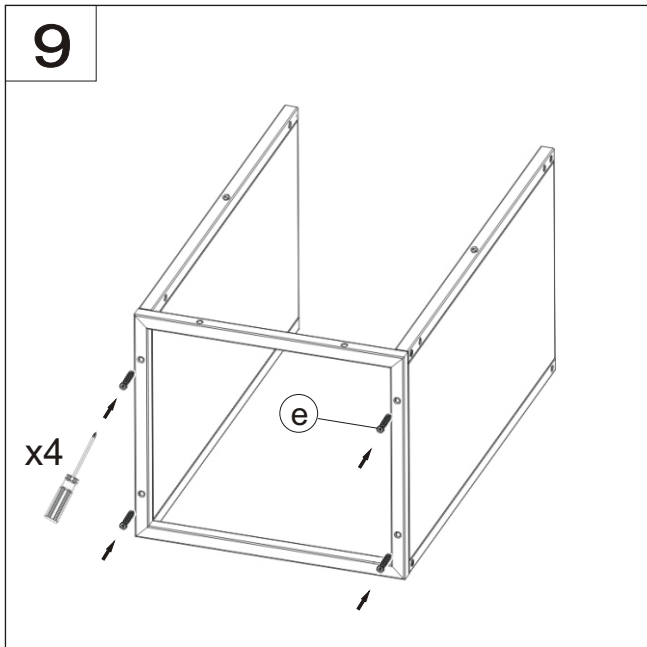
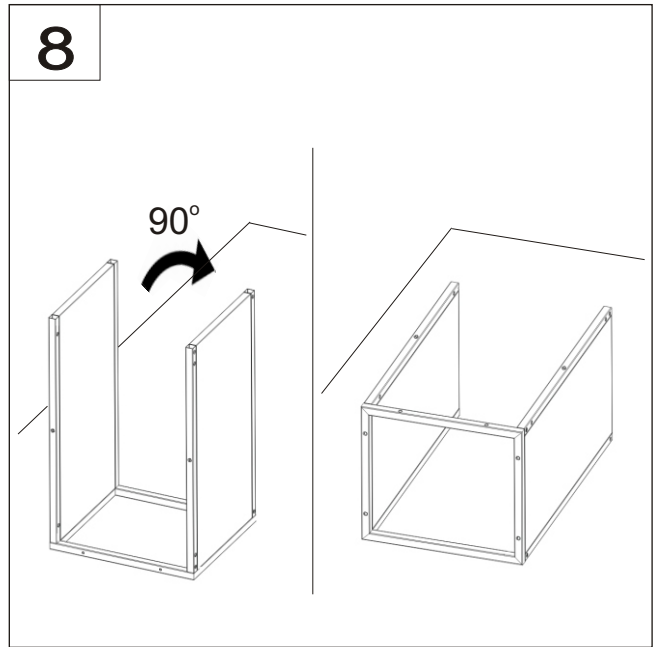
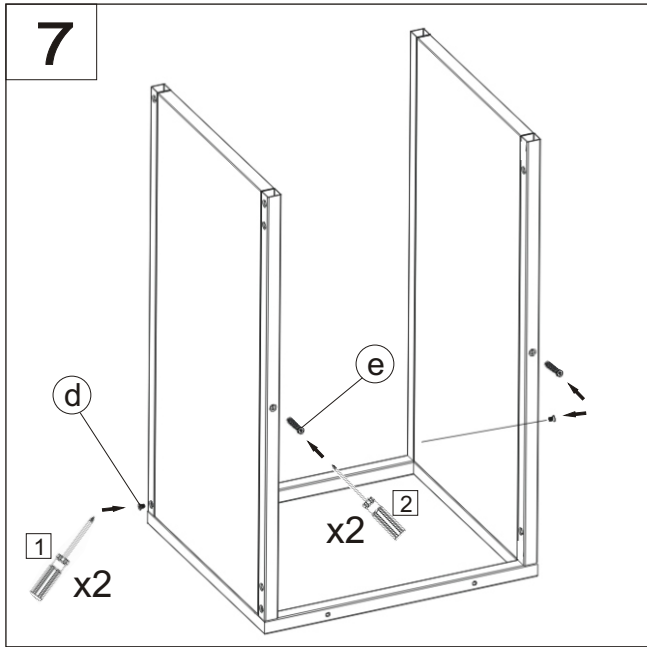


f
x1

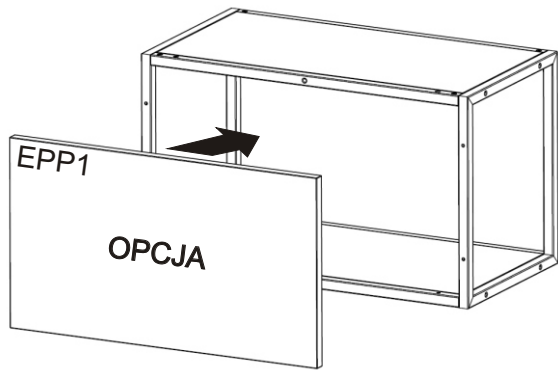


g
x1

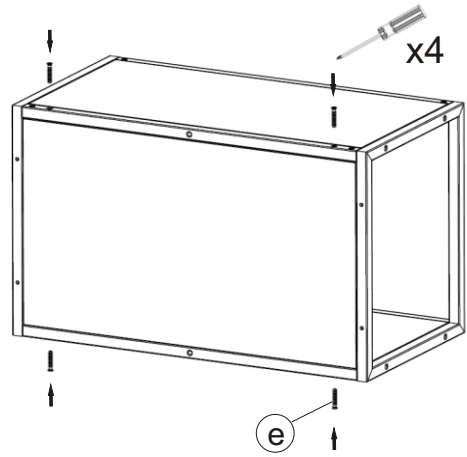




13 WARIANT 2



14



15

