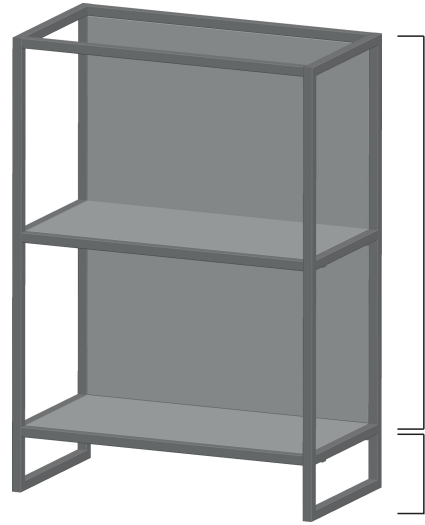
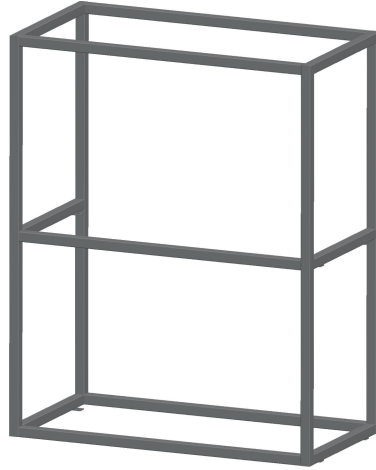
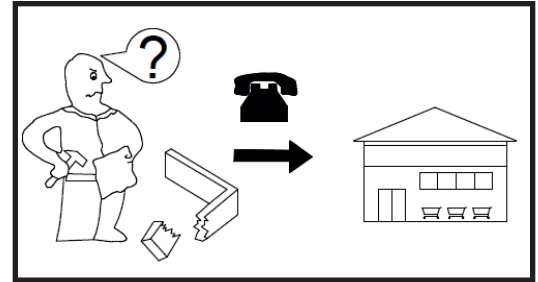
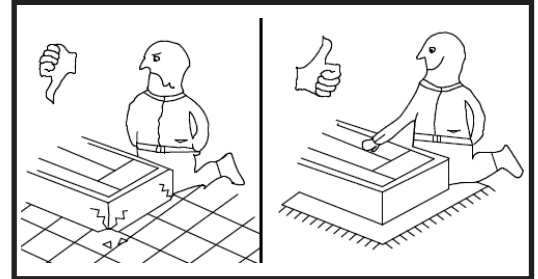
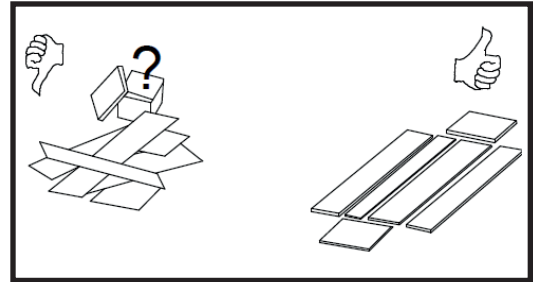


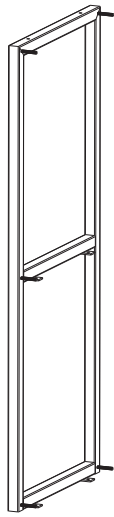
SR04-578
SR04-896
SR04-1156



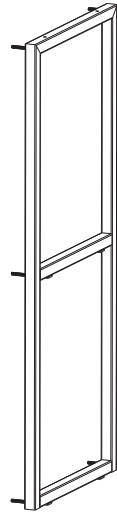
SR04-578
SR04-896
SR04-1156

SR05-100
SR05-150

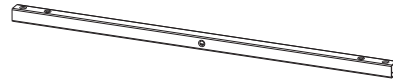




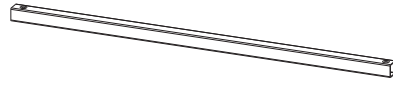
A x1



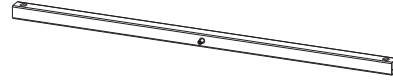
B x1



C x1



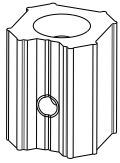
D x1



E x2



F x1



a x10



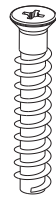
b x10



c x10



d x10



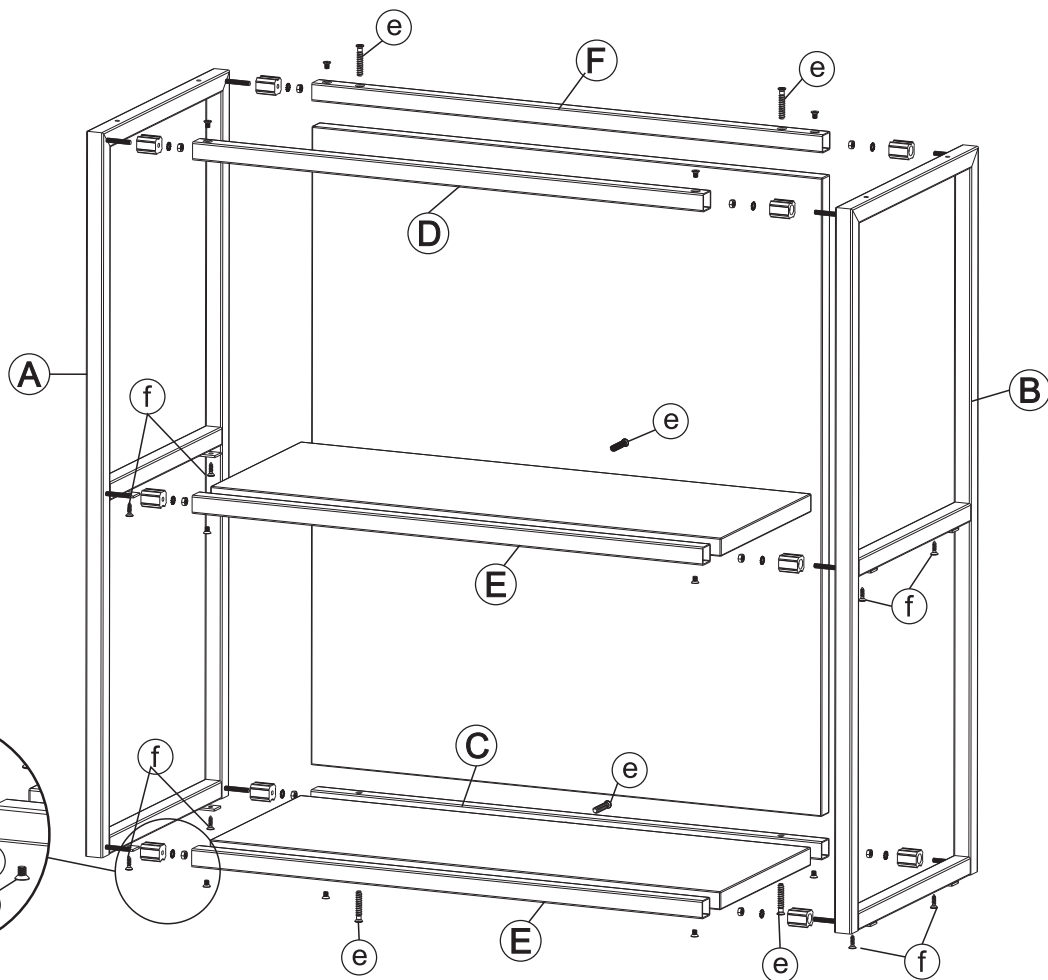
e x6

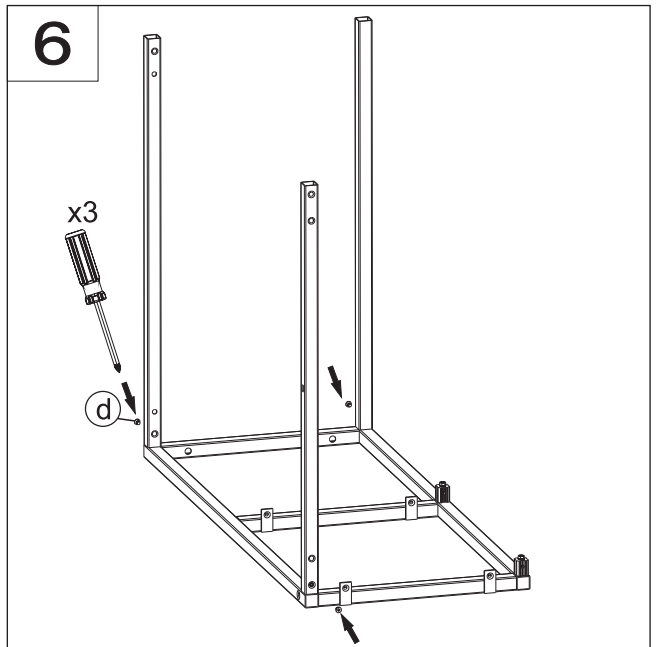
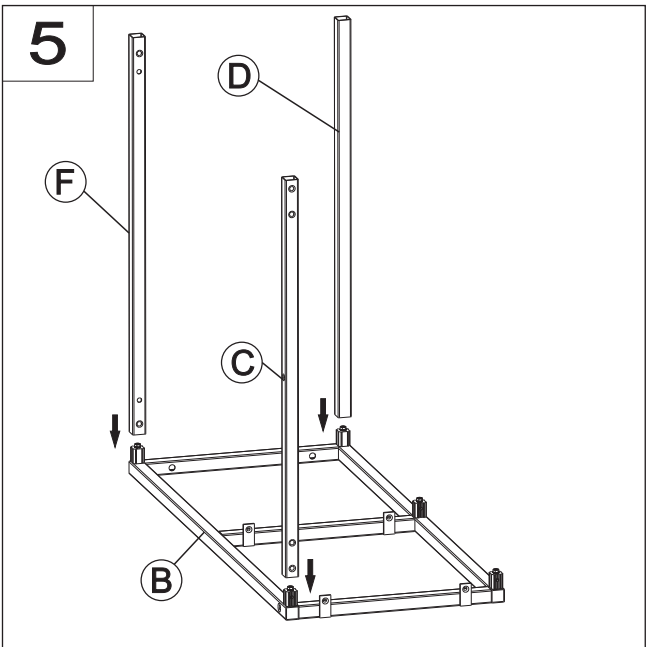
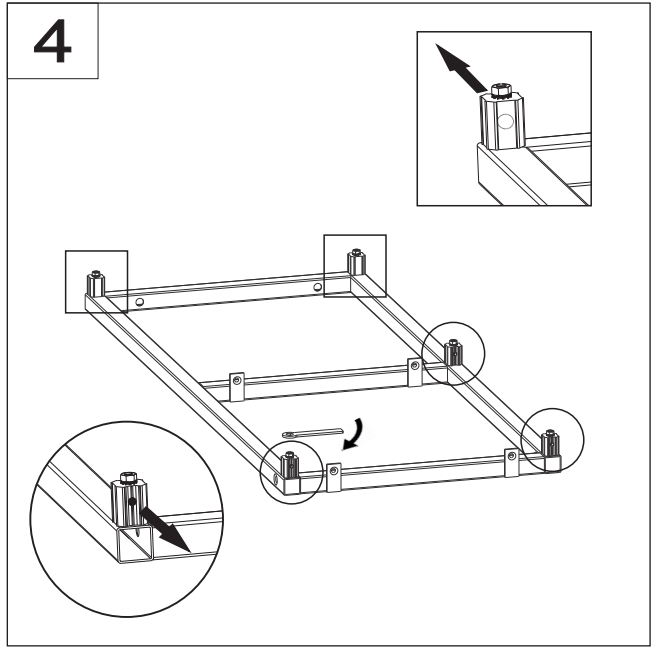
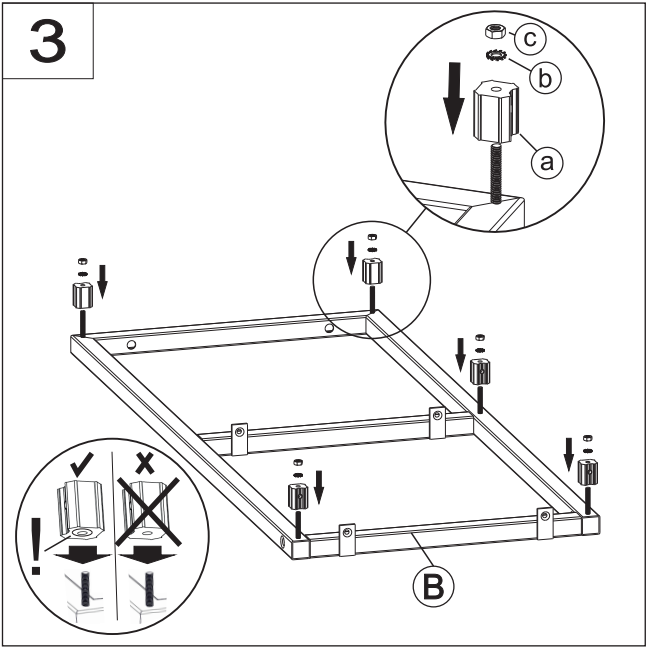
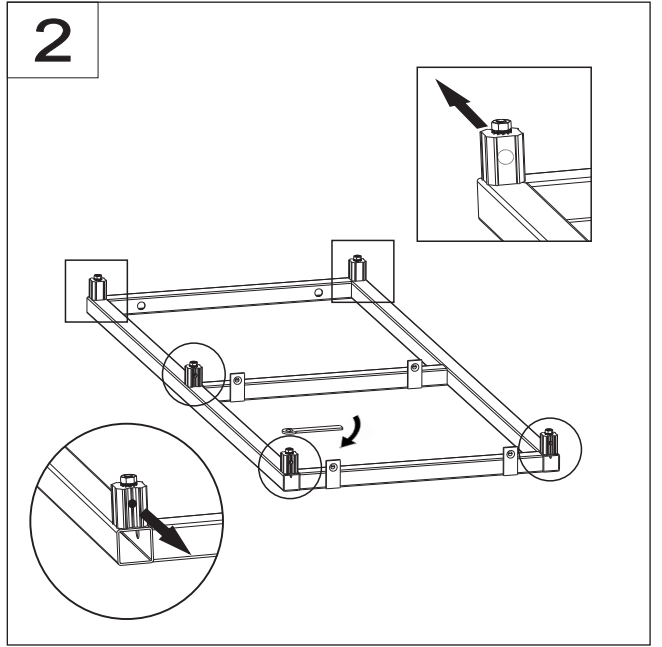
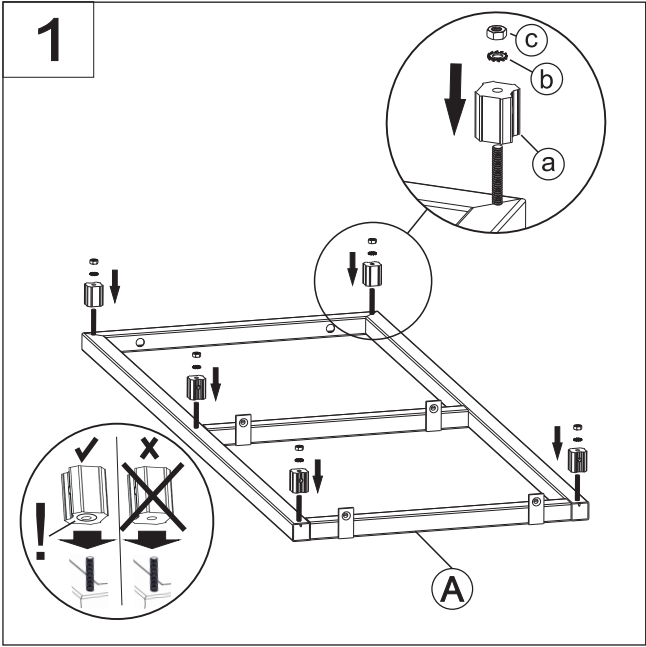


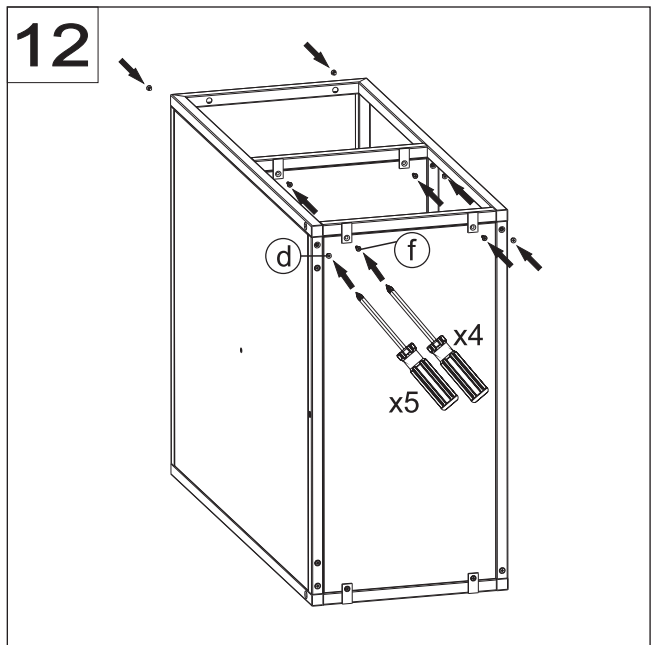
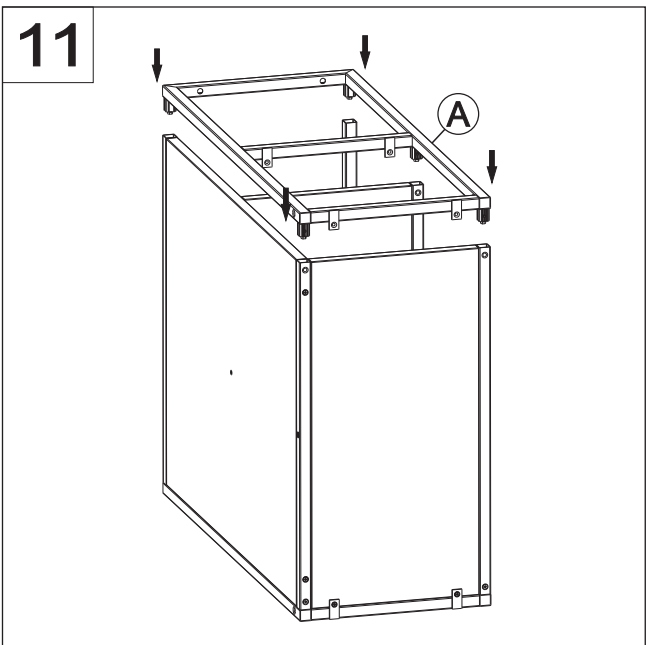
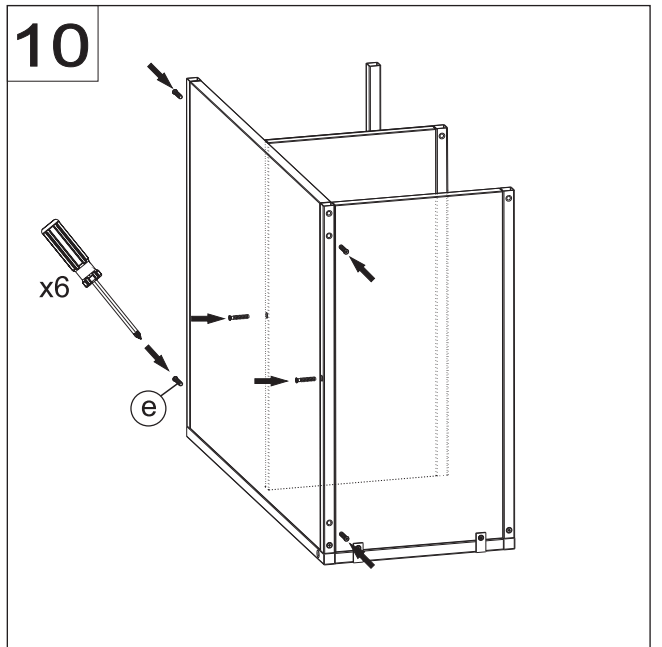
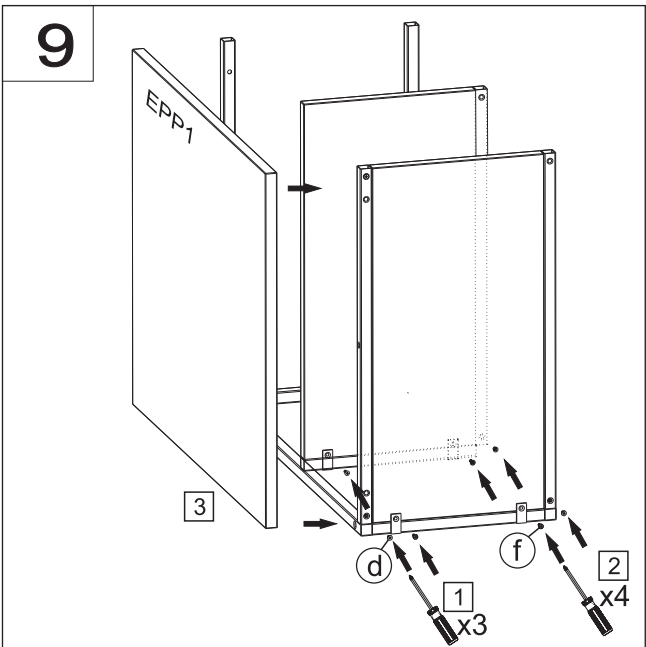
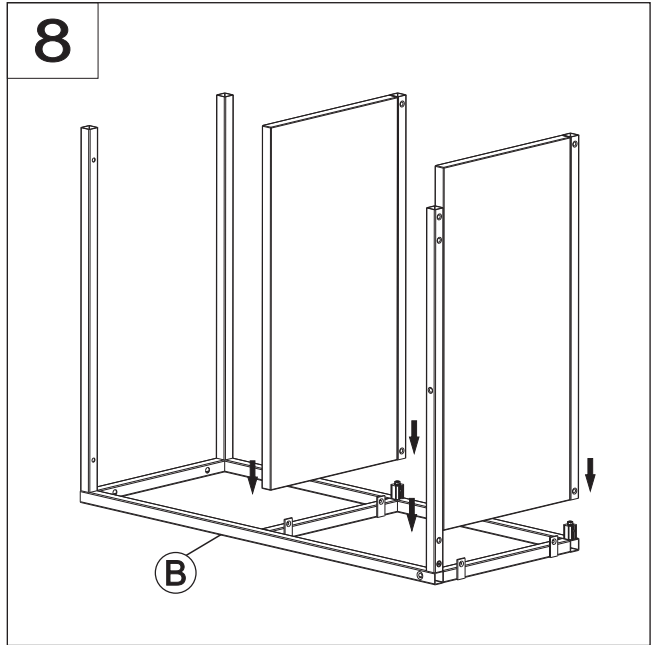
f x8



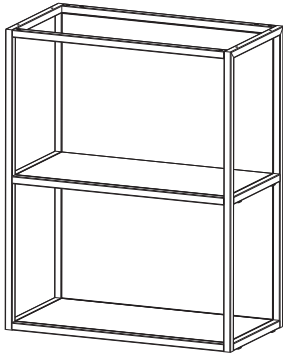
g x1



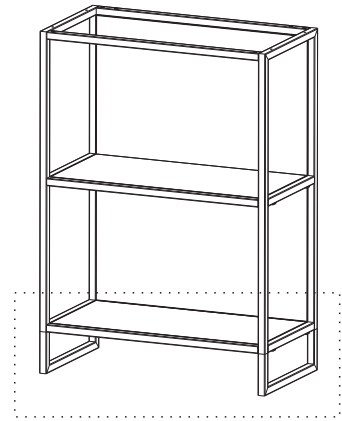




13



14



SR05-100
SR05-150

