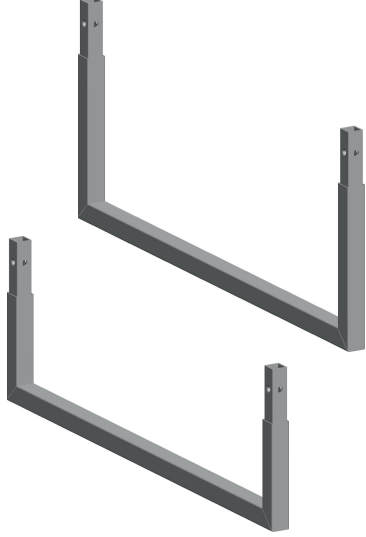


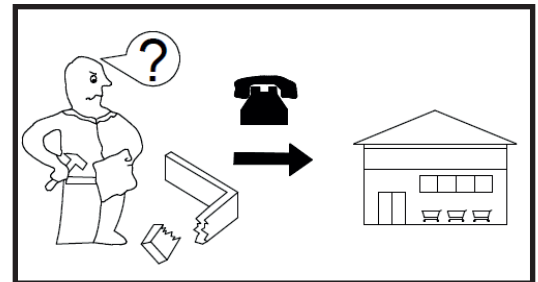
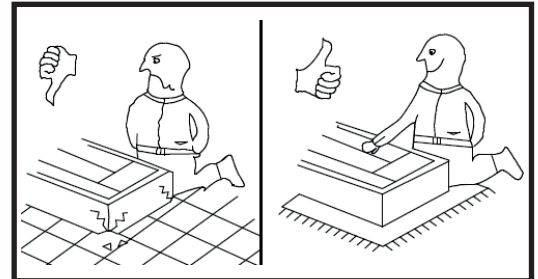
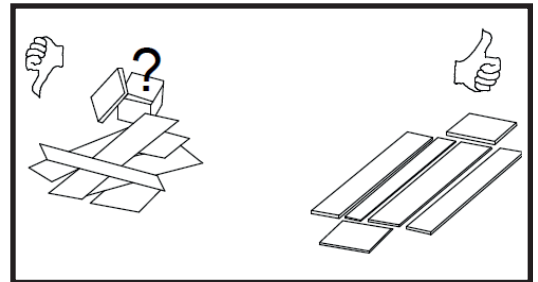
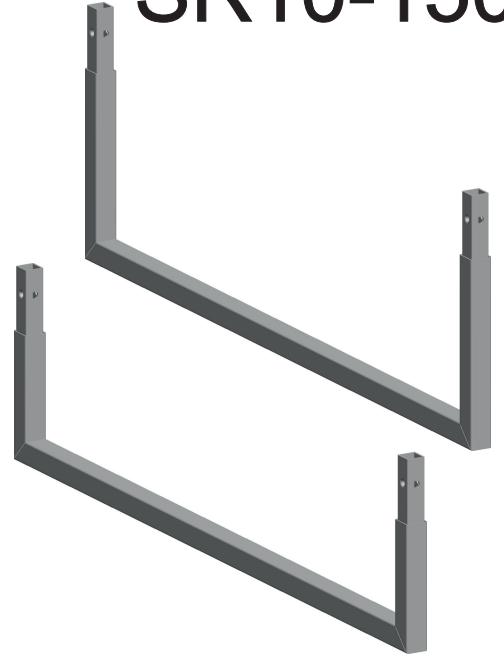
SR05-100  
SR05-150

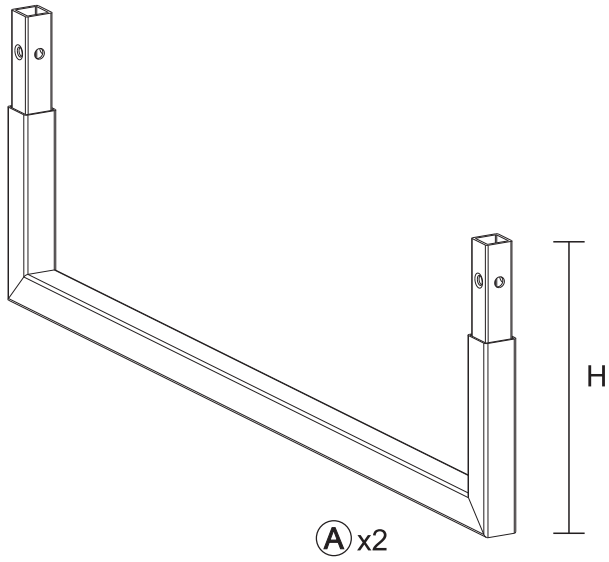


SR08-100  
SR08-150

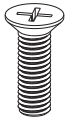


SR10-100  
SR10-150





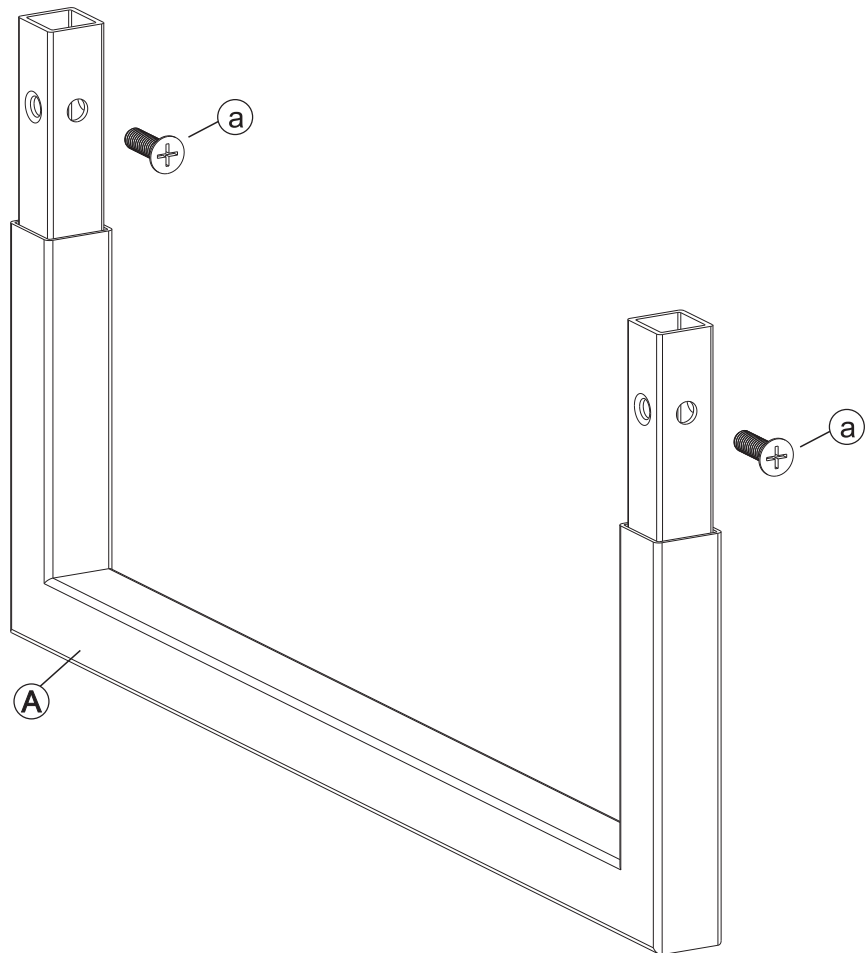
H=100	H=150
SR05-100	SR05-150
SR08-100	SR08-150
SR10-100	SR10-150

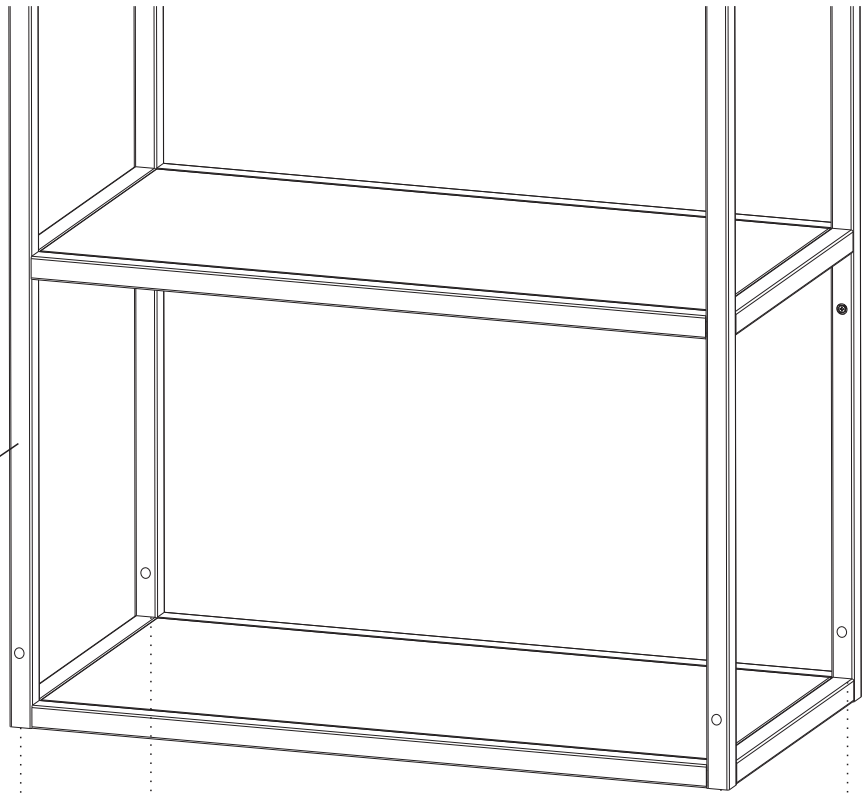


a x4



b x4





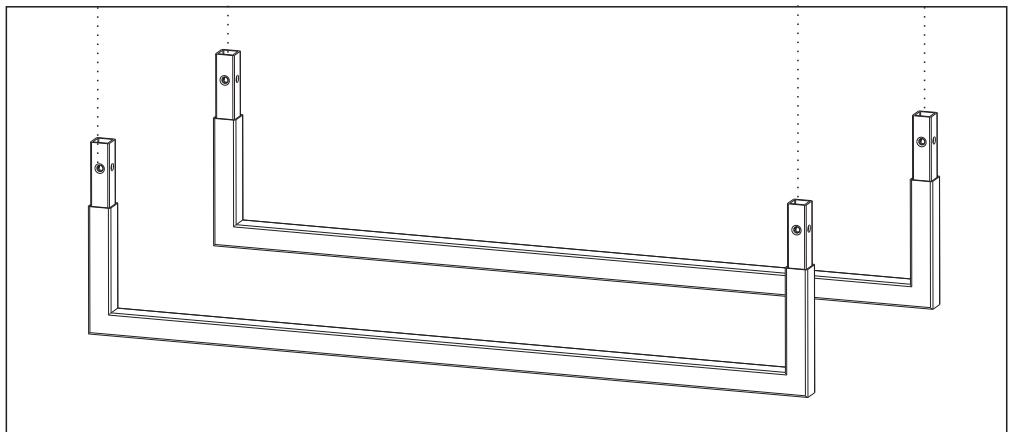
WARIANT A

- |           |      |
|-----------|------|
| SR04-578  | SR05 |
| SR04-896  | SR05 |
| SR04-1156 | SR05 |
| SR06-299  | SR05 |
| SR07-468  | SR08 |
| SR09-449  | SR10 |
| SR09-599  | SR10 |



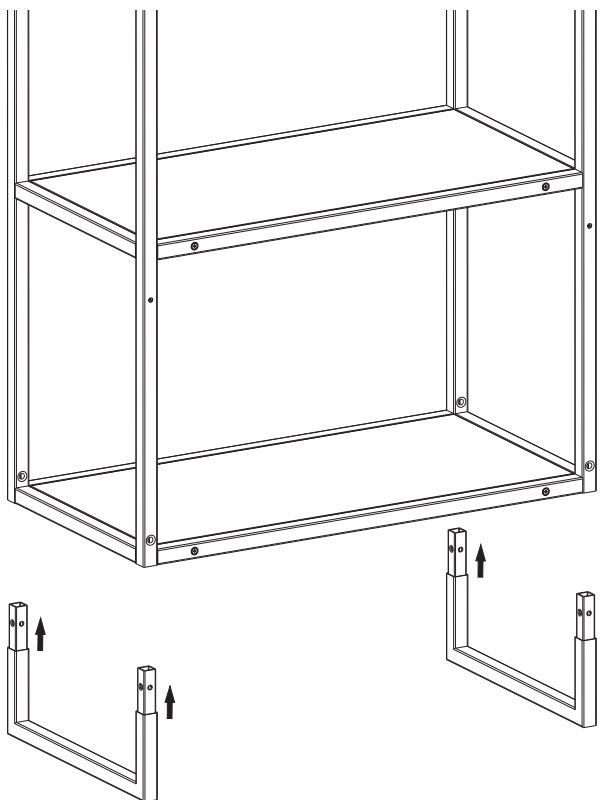
WARIANT B

- |          |      |
|----------|------|
| SR06-299 | SR10 |
| SR09-299 | SR05 |



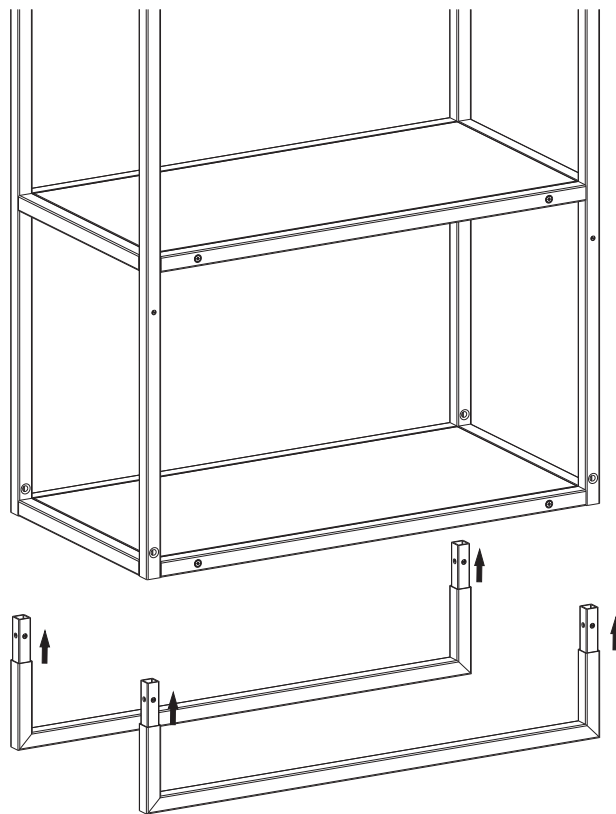
WARIANT A

1

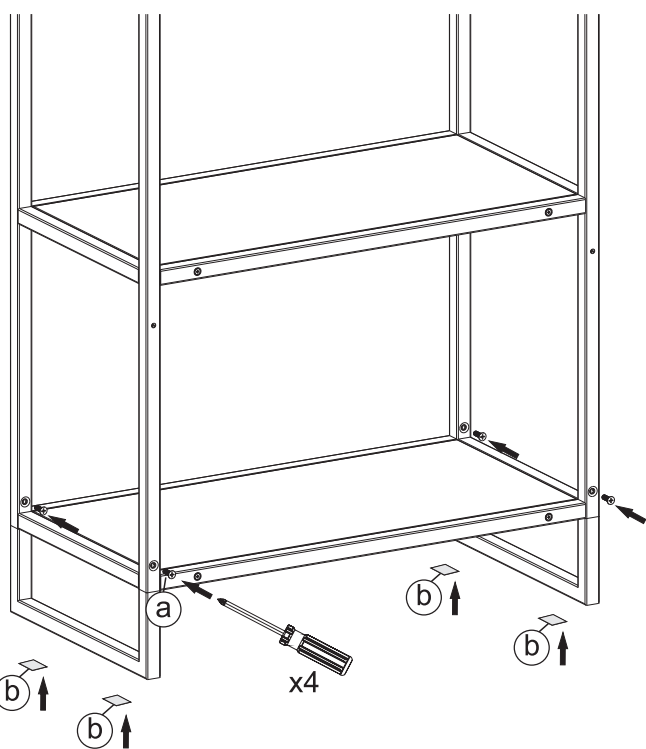


WARIANT B

1



2



2

