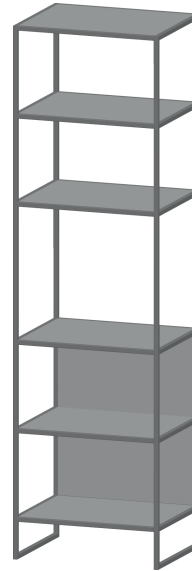
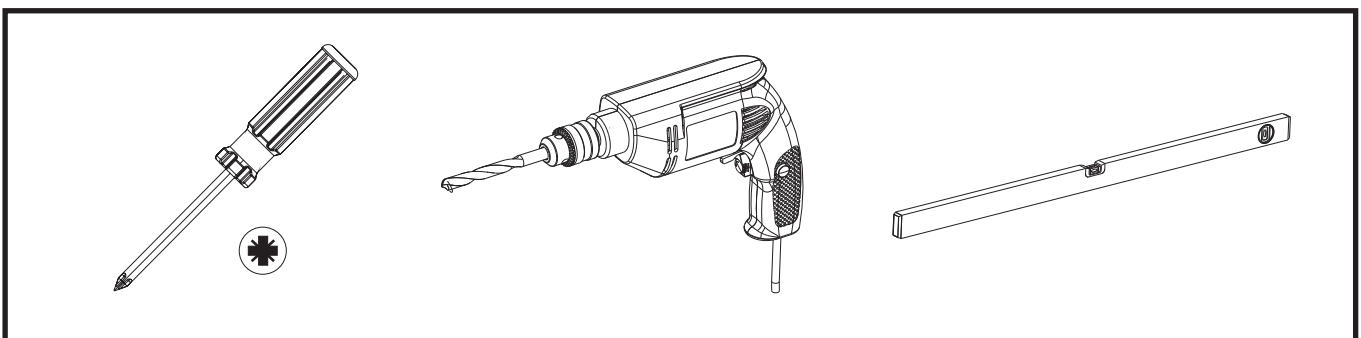
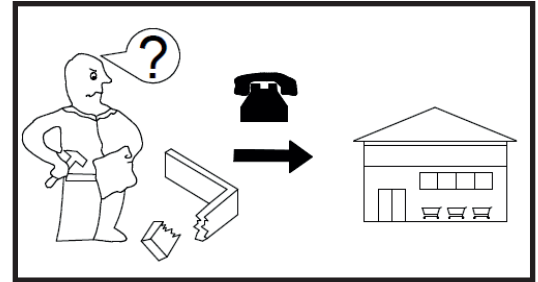
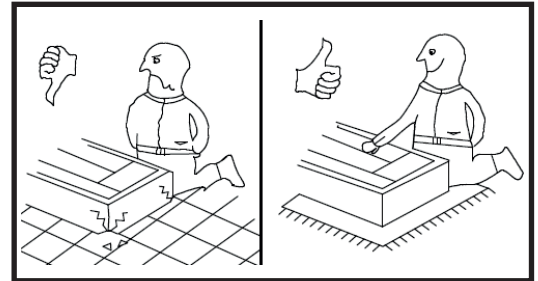
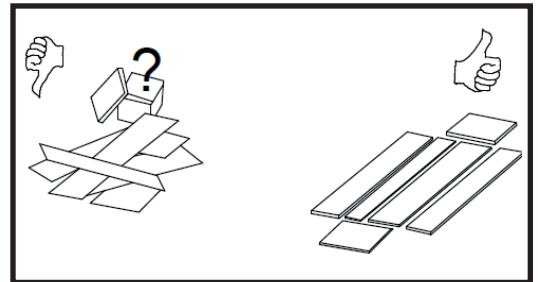


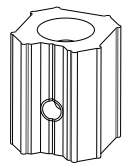
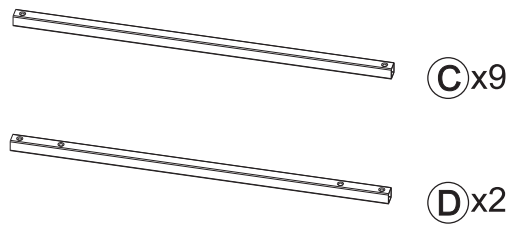
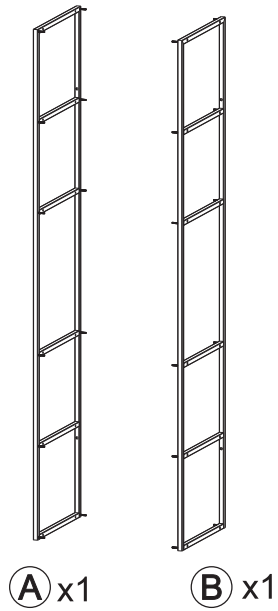
SR07-468



SR07-468

SR08-100
SR08-150





a x22



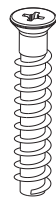
b x22



c x22



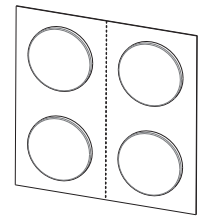
d x22



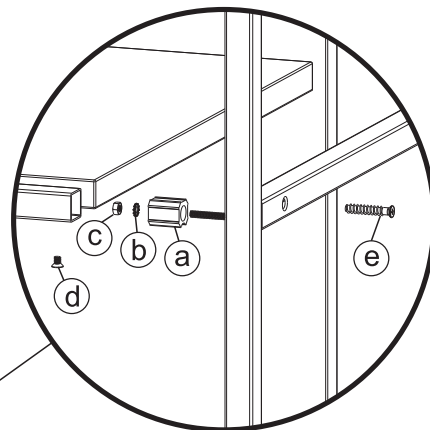
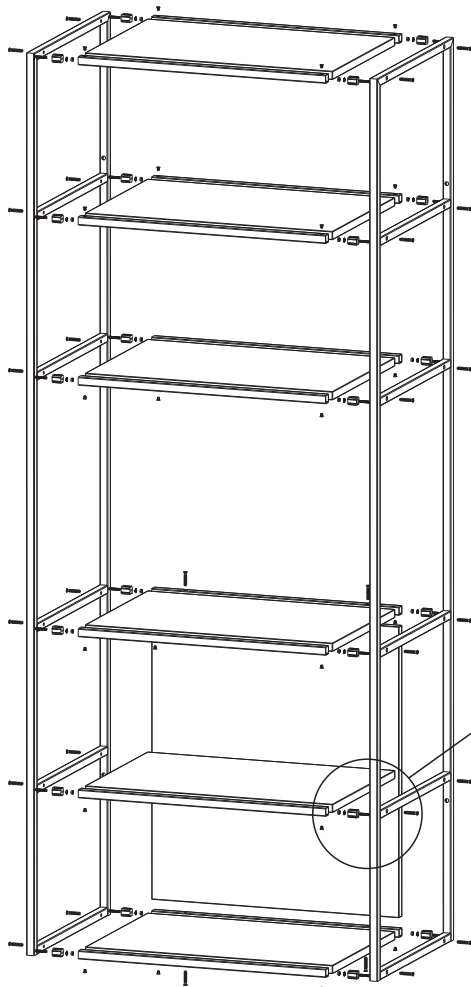
e x28

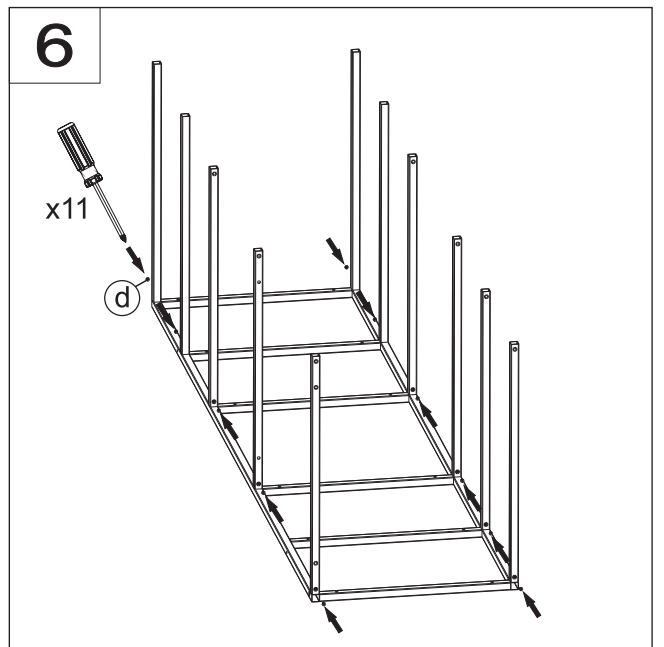
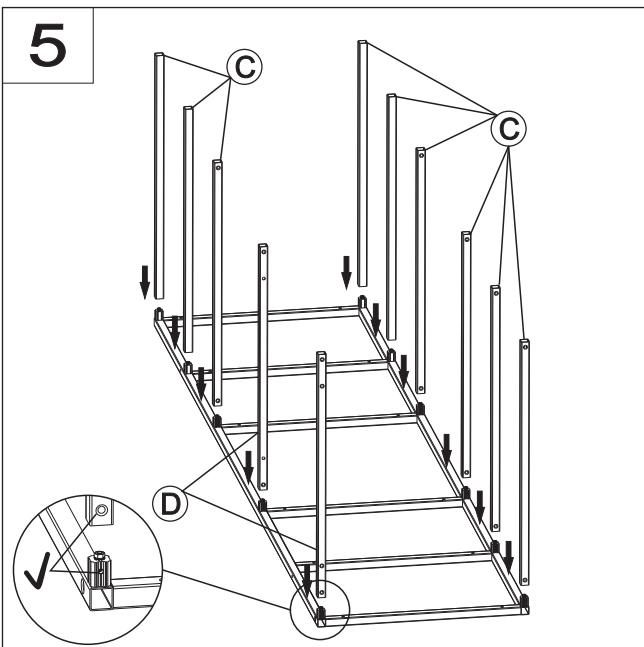
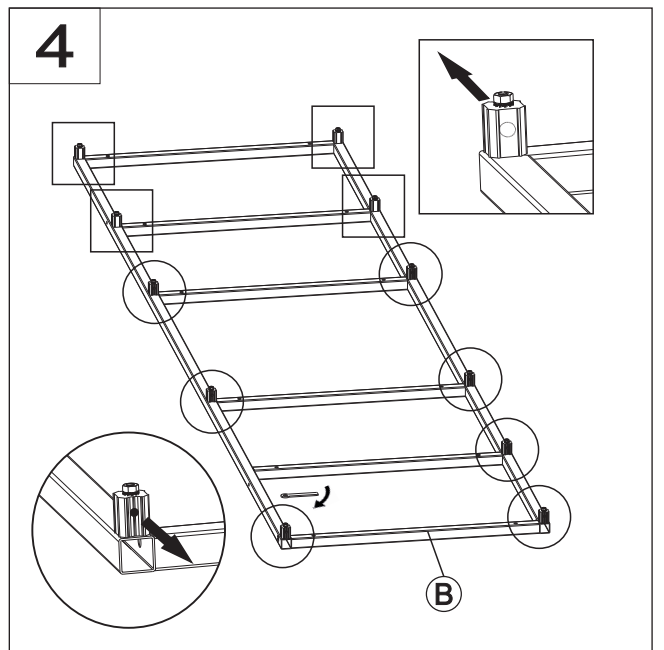
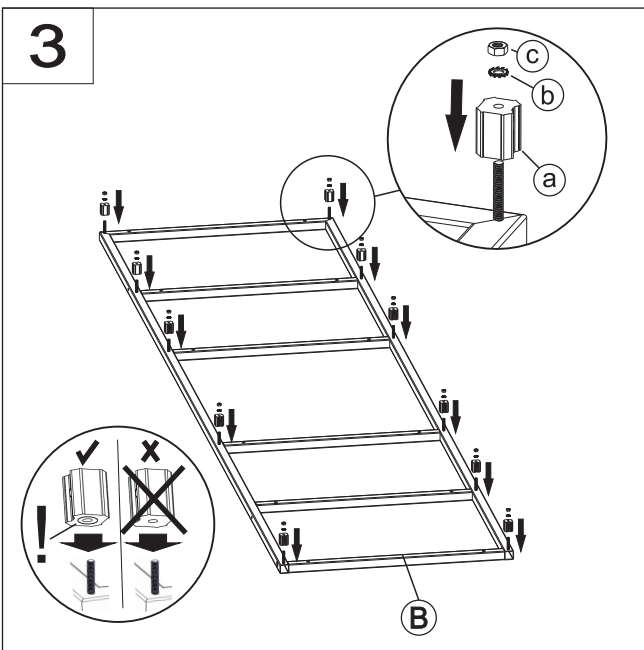
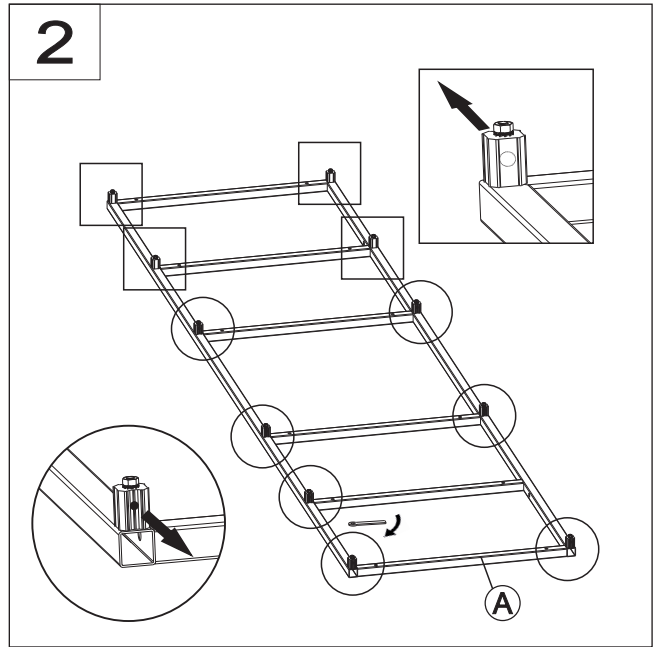
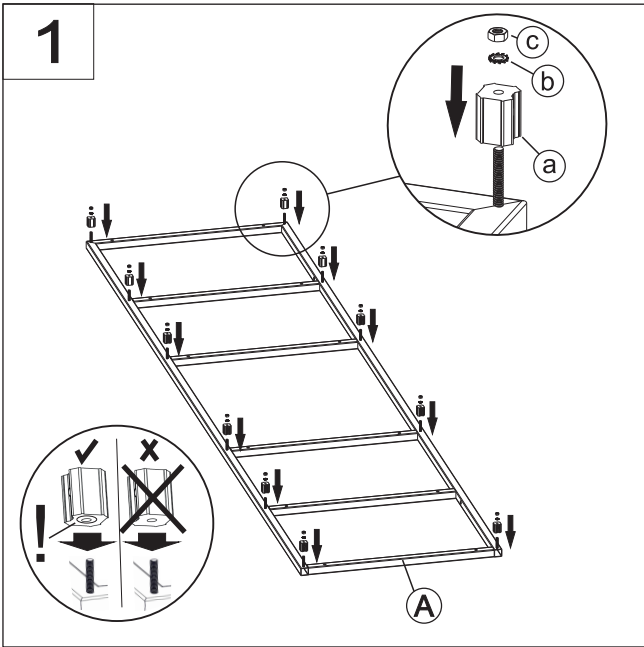


f x1

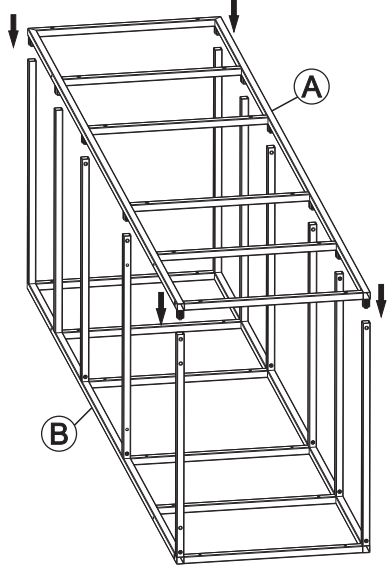


g x1

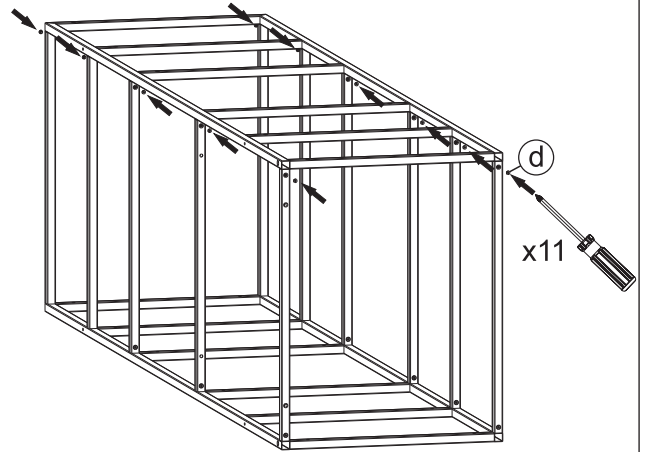




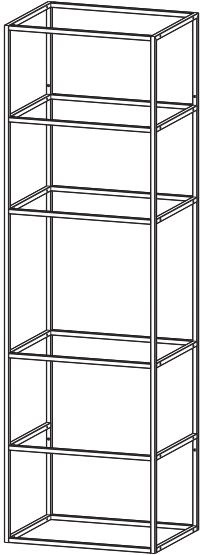
7



8



9



10

