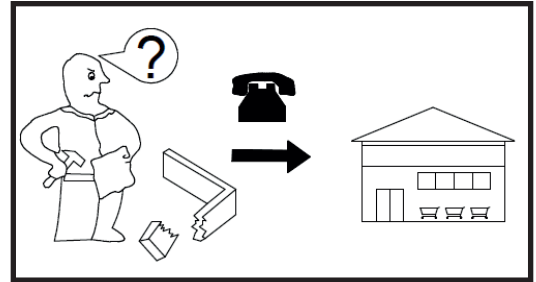
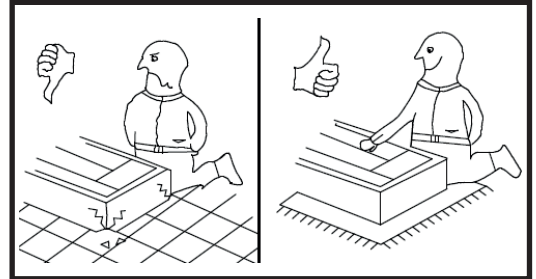
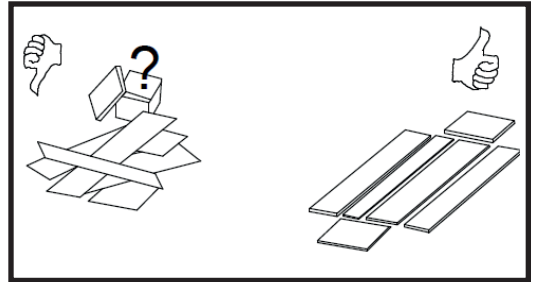
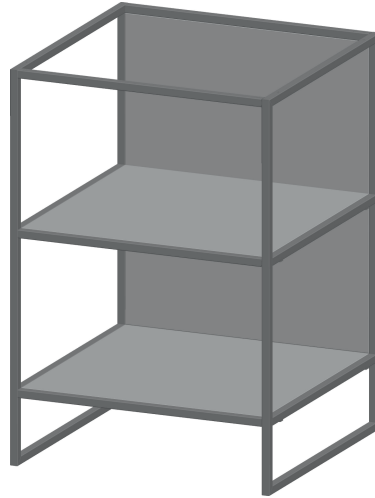
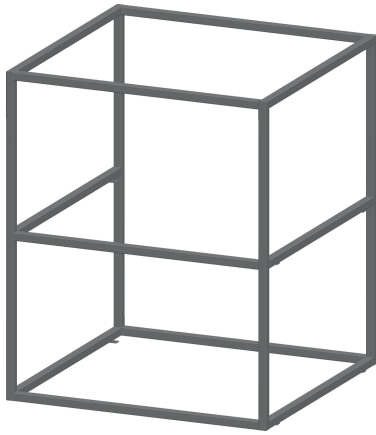
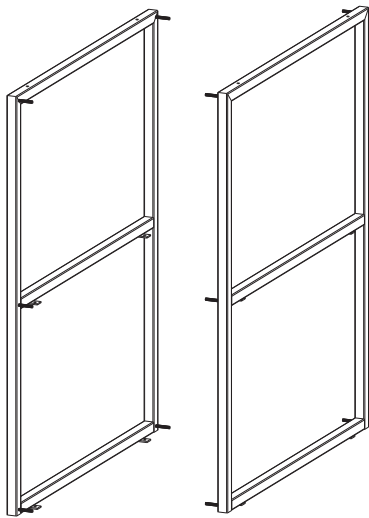


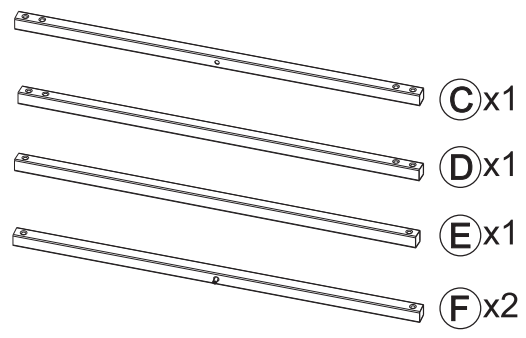
SR09-599





A x1

B x1

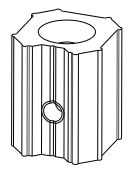


C x1

D x1

E x1

F x2



a x10



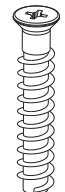
b x10



c x10



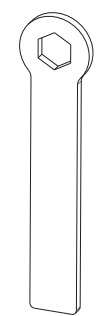
d x10



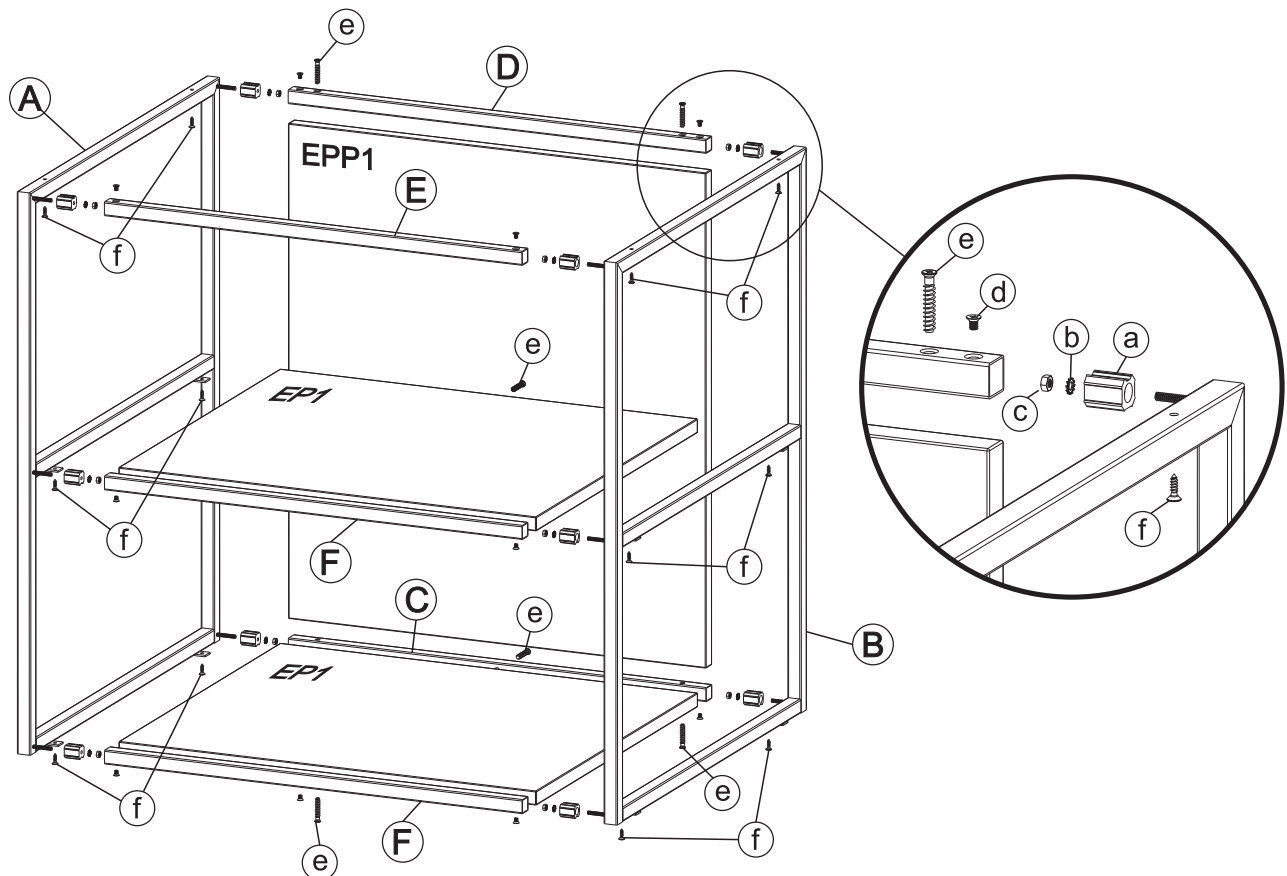
e x6

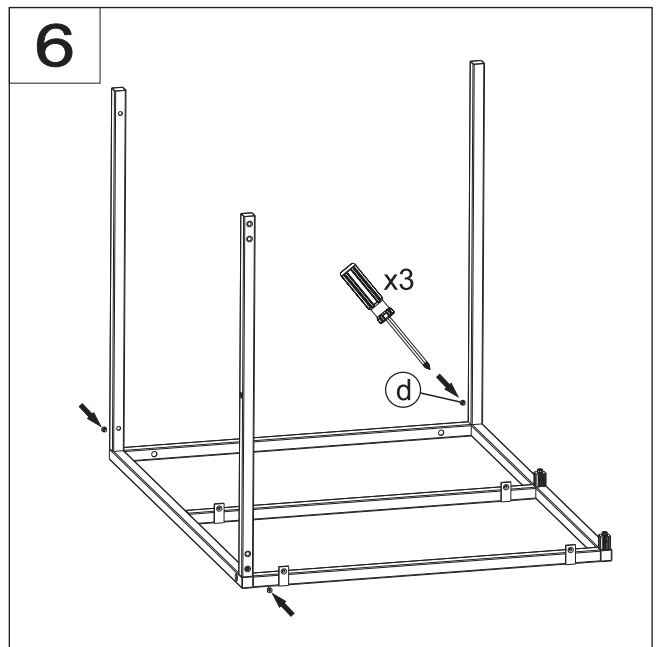
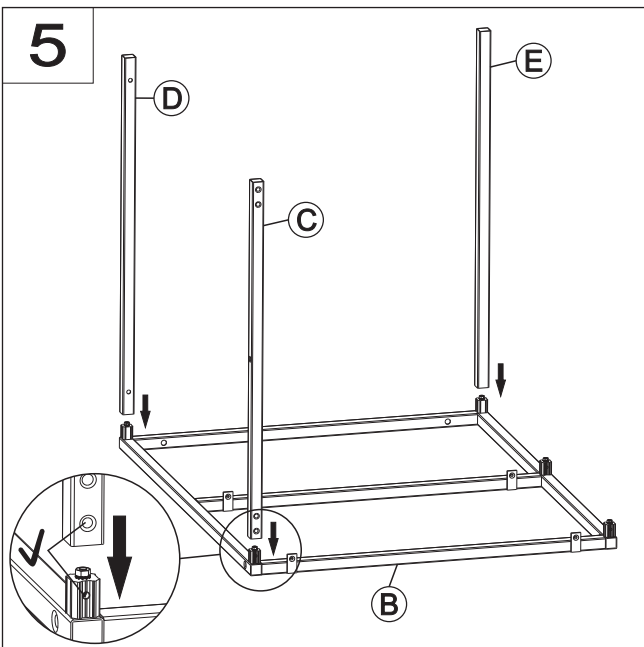
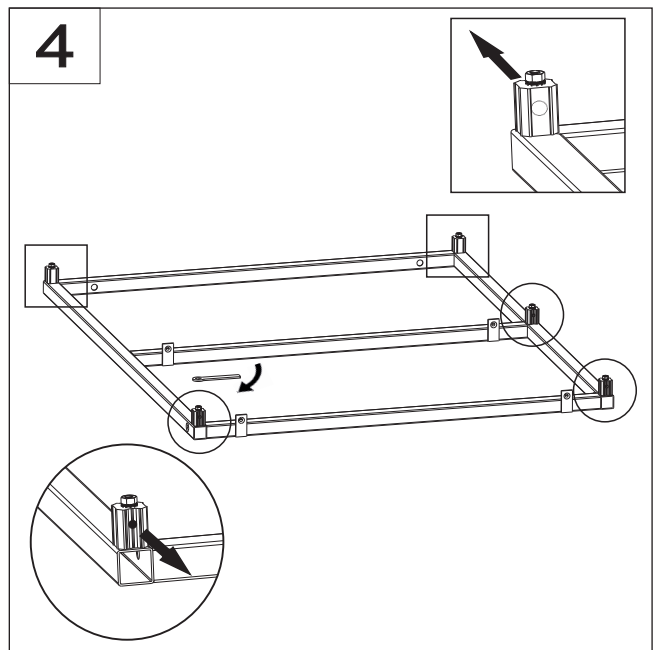
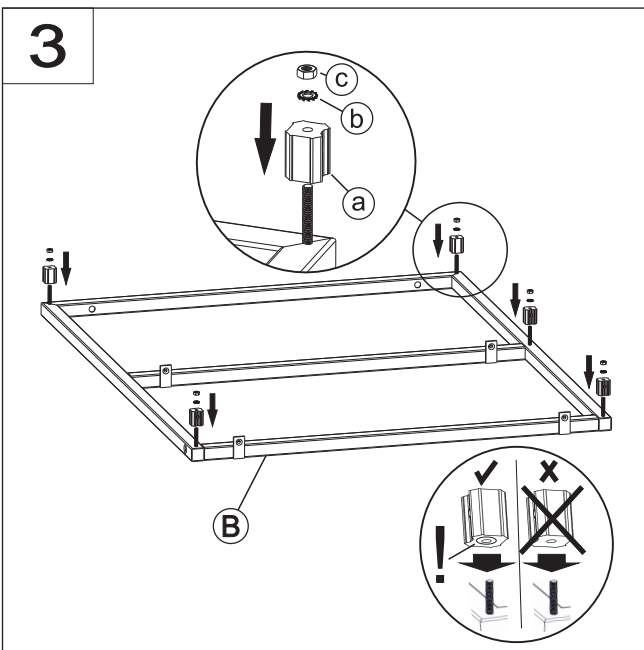
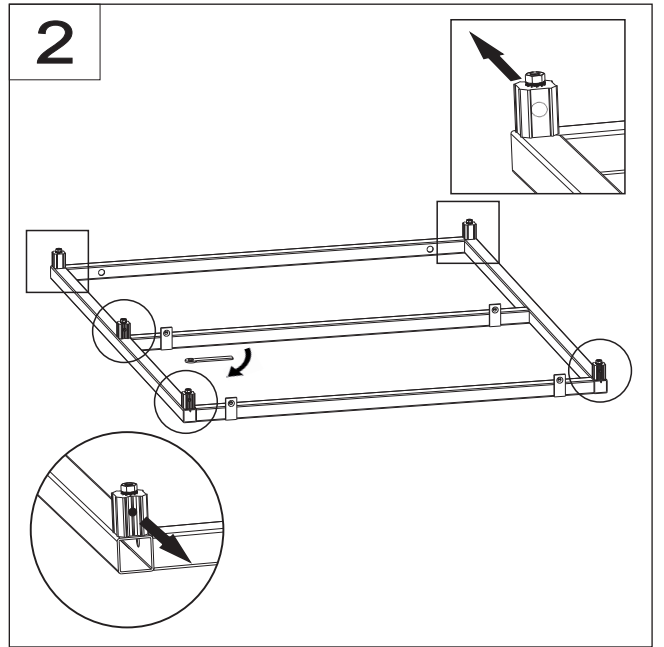
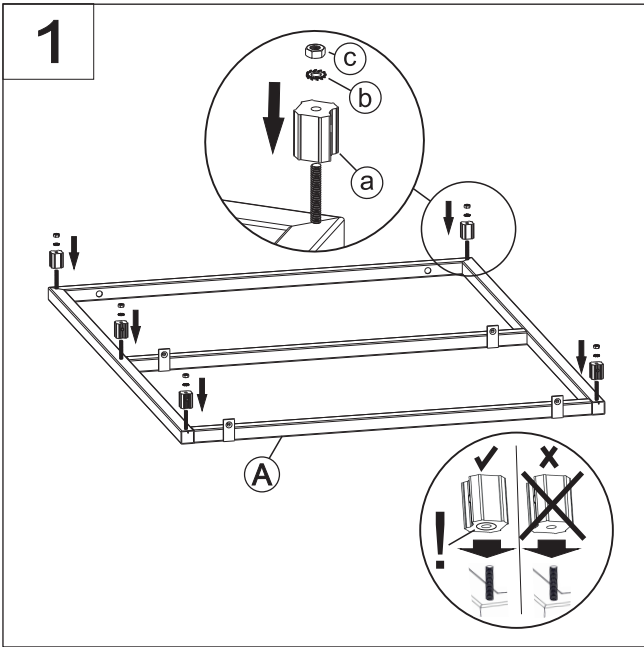


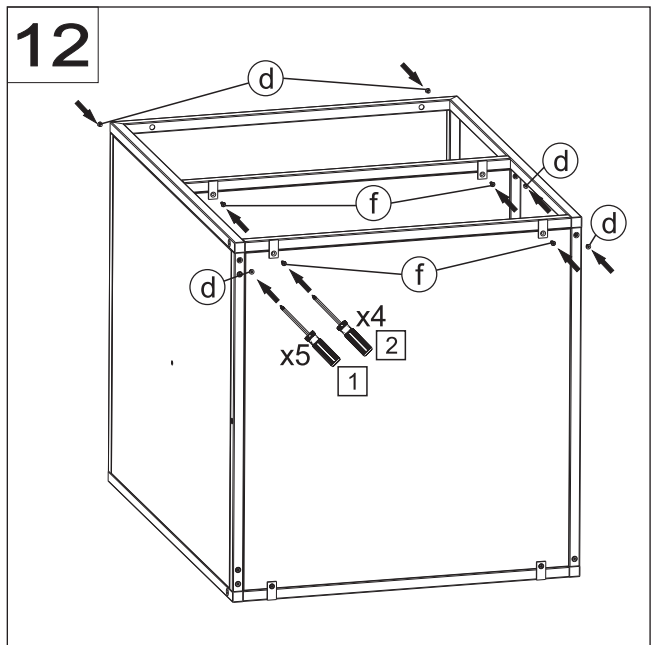
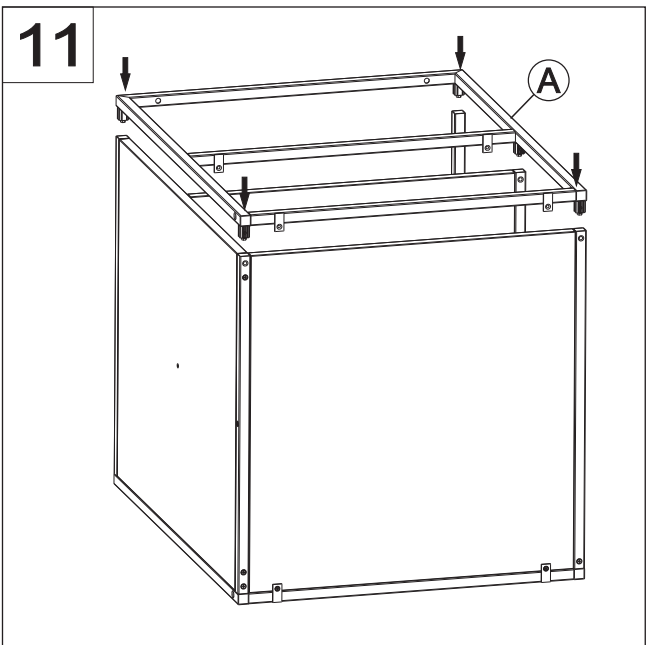
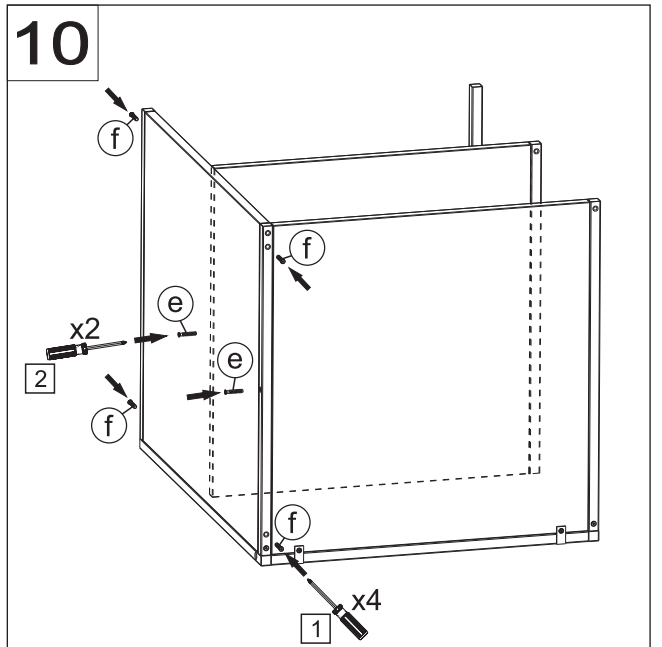
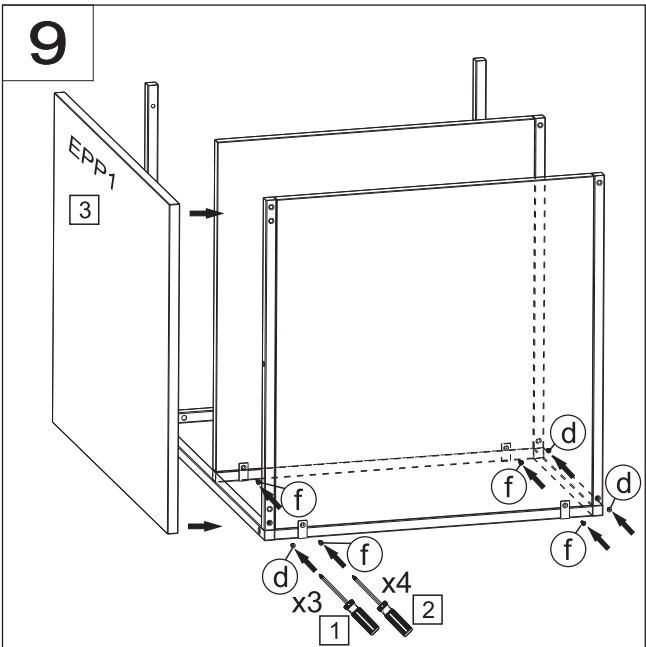
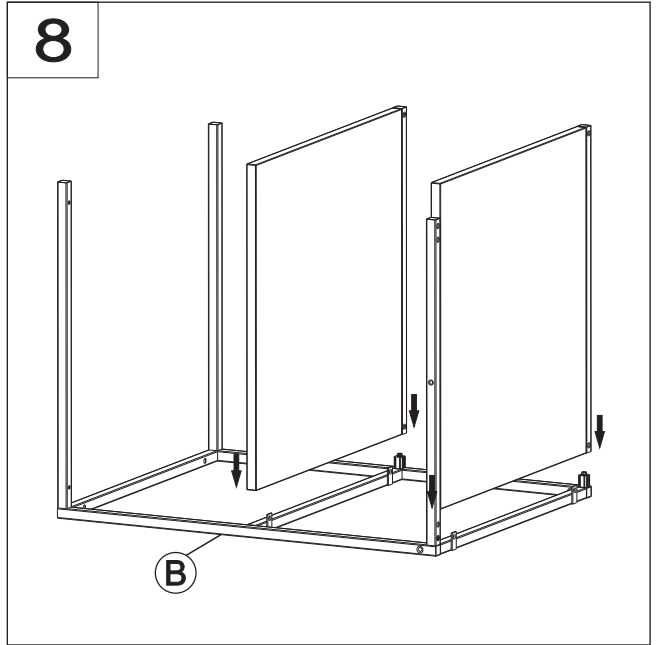
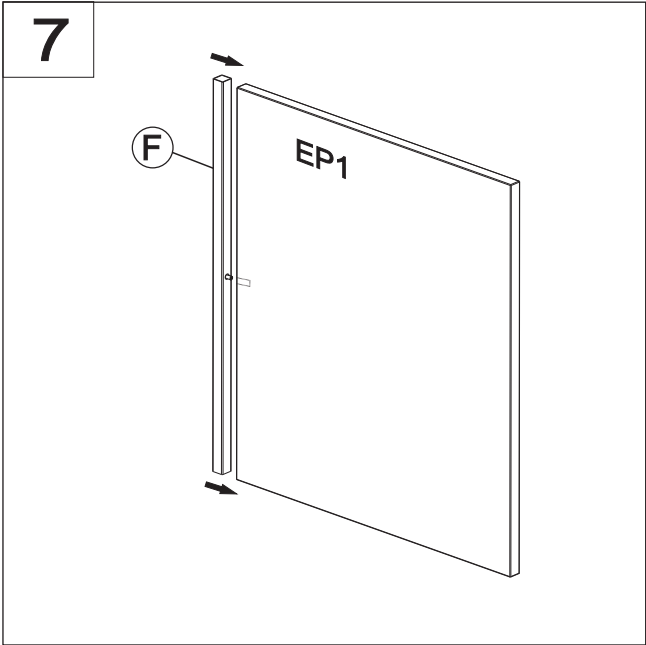
f x12



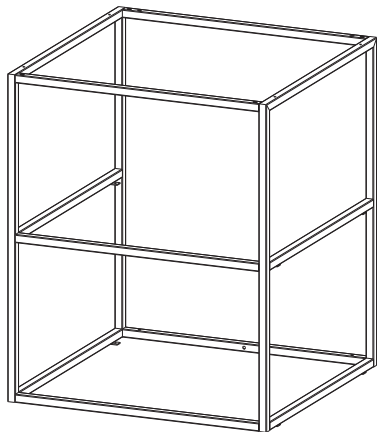
g x1



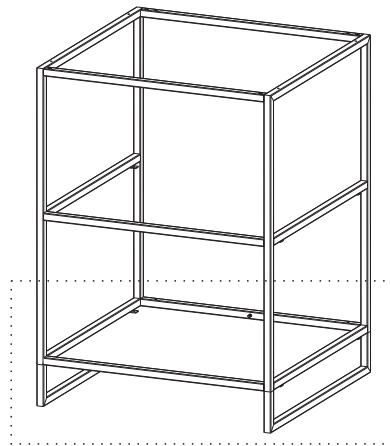




13



14



SR10-100
SR10-150

