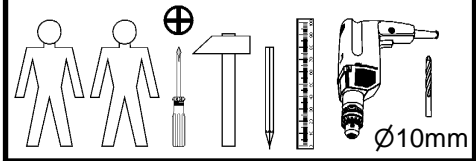
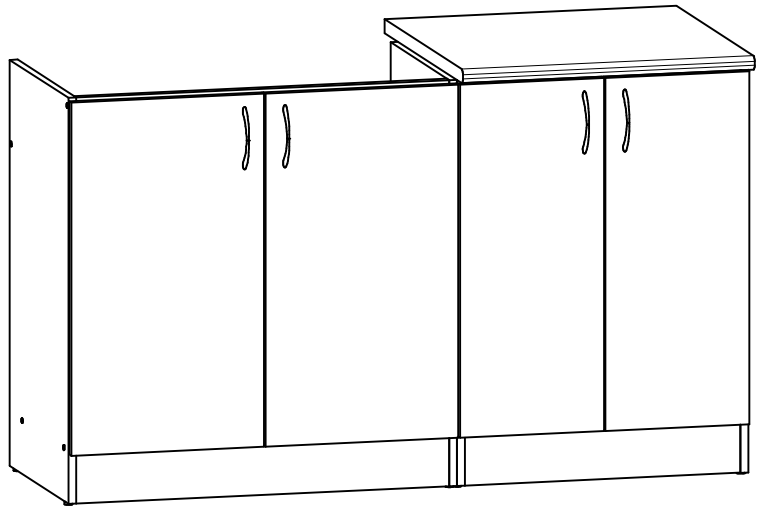
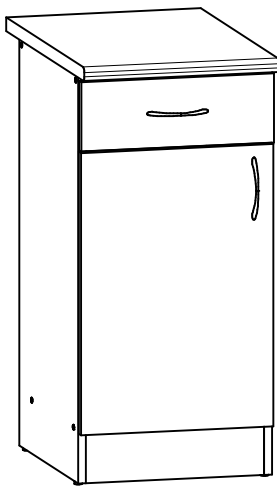
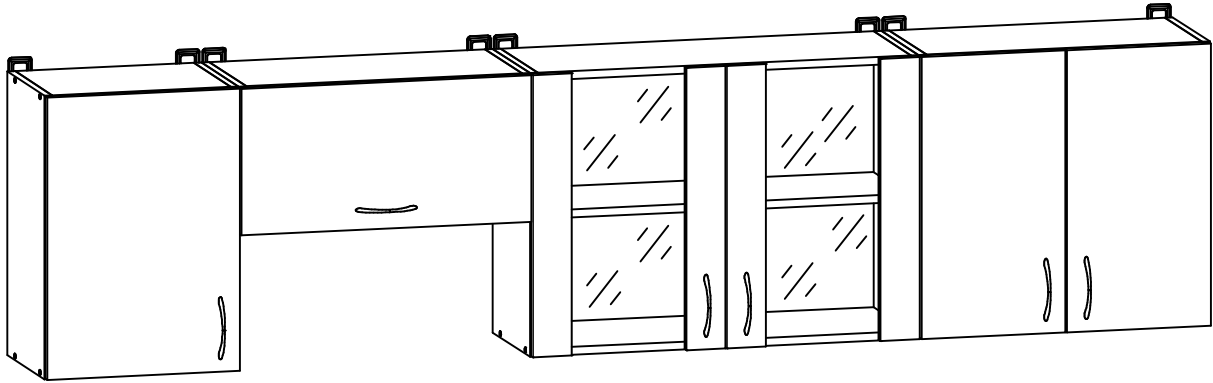
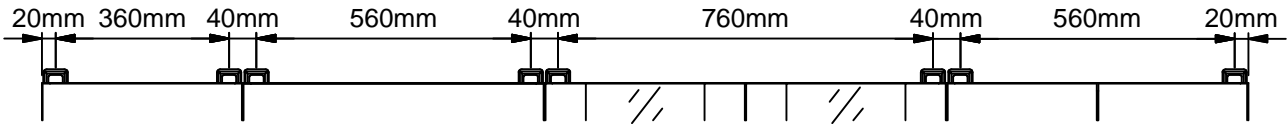


SONIA

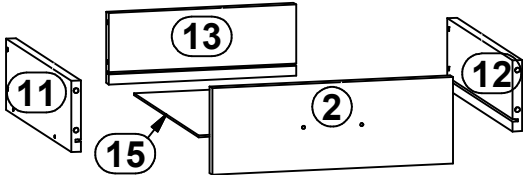
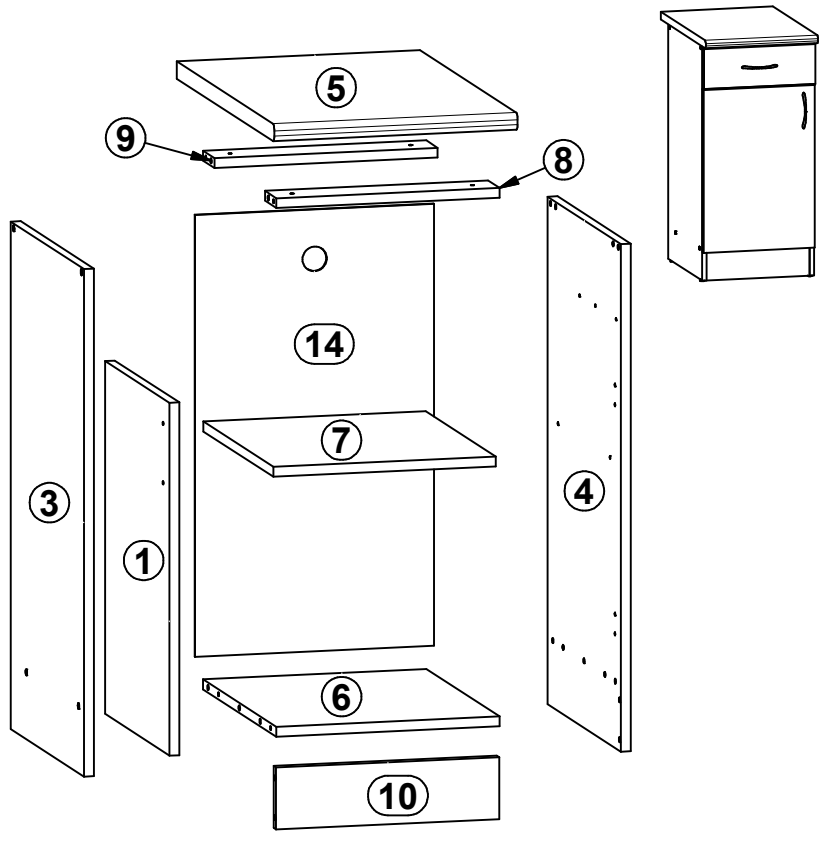


32x φ3,5x25 mm p16	22x a2	22x b1	12x c314	20x φ5x17 mm d1	56x φ7x50 mm e1	4x φ5x9 mm e19	6x φ6x13 mm e3	62x φ8x30 mm f1
4x φ6,5x40 mm f25	12x k1	160x l1	1x m5\1L	1x m5\2	4x n16\L	4x n16\P	2x φ3,5x13 mm p1	8x φ4x30 mm p21
24x φ4x25 mm p87	1x s5	1x 400 mm w5\CL	1x 400 mm w5\CR	1x 400 mm w5\DL	1x 400 mm w5\DR	1x y1	1x z1	8 φ10x50 mm f35
8x φ6x60 mm p75	1x φ3x25 mm p48	16x s1						

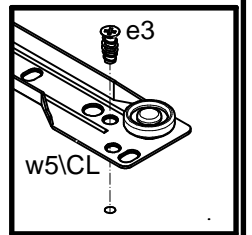
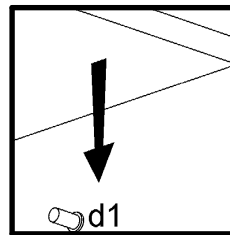
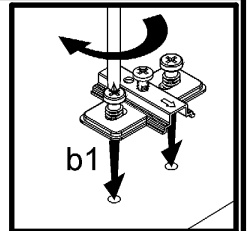
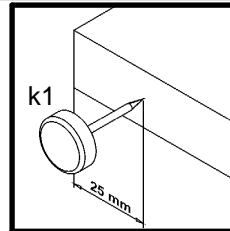
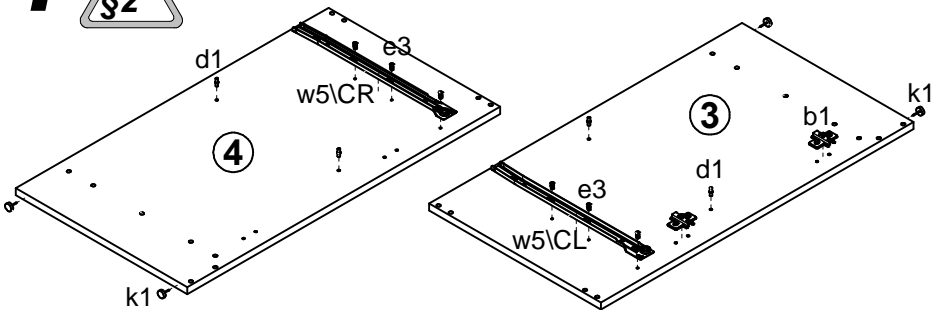
SONIA

K13-KD1D1S/40/82

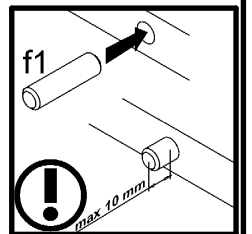
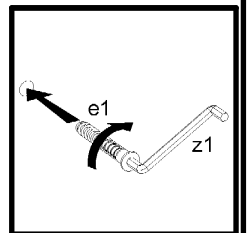
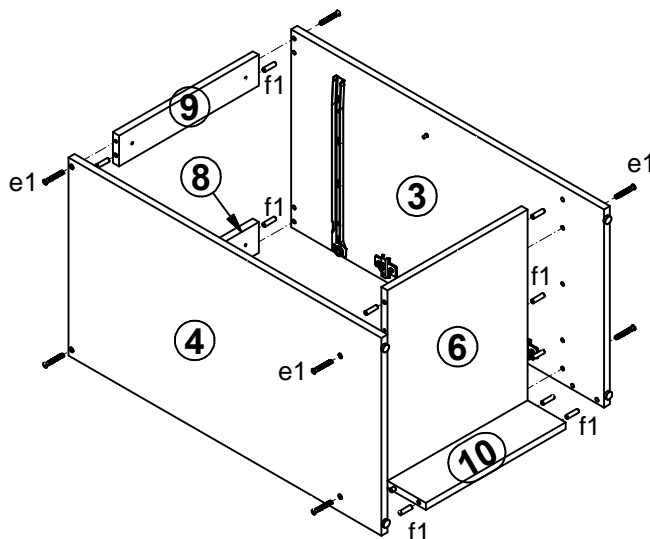
A	B	C	D
1	K13-007	396	570
2	K13-012	396	140
3	K13-104	820	450
4	K13-105	820	450
5	K13-201	400	600
6	K13-309	367	450
7	K13-310	366	430
8	K13-401	367	70
9	K13-402	367	70
10	K13-403	367	100
11	K13-501	400	115
12	K13-502	400	115
13	K13-503	308	115
14	K13-905	714	393
15	K13-906	398	325

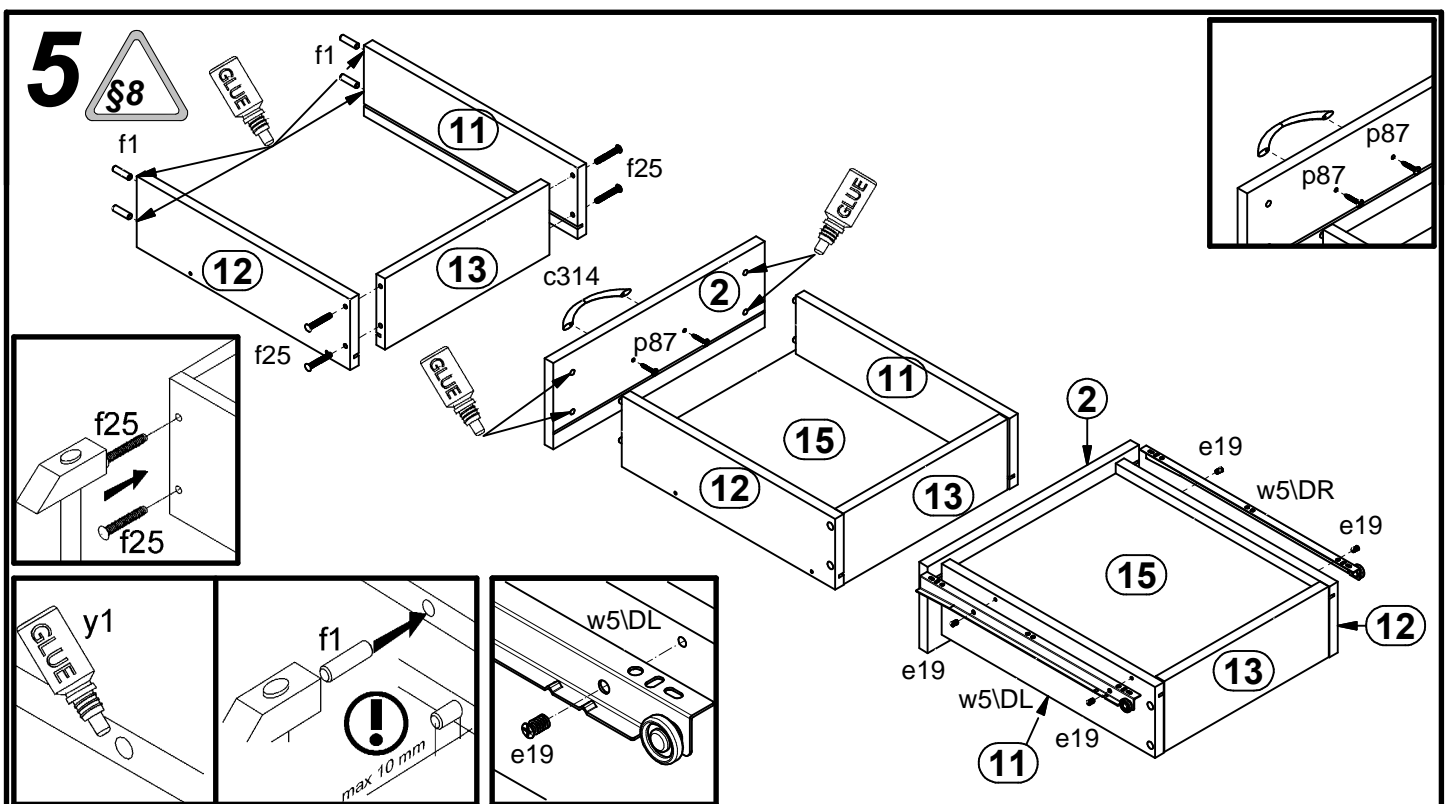
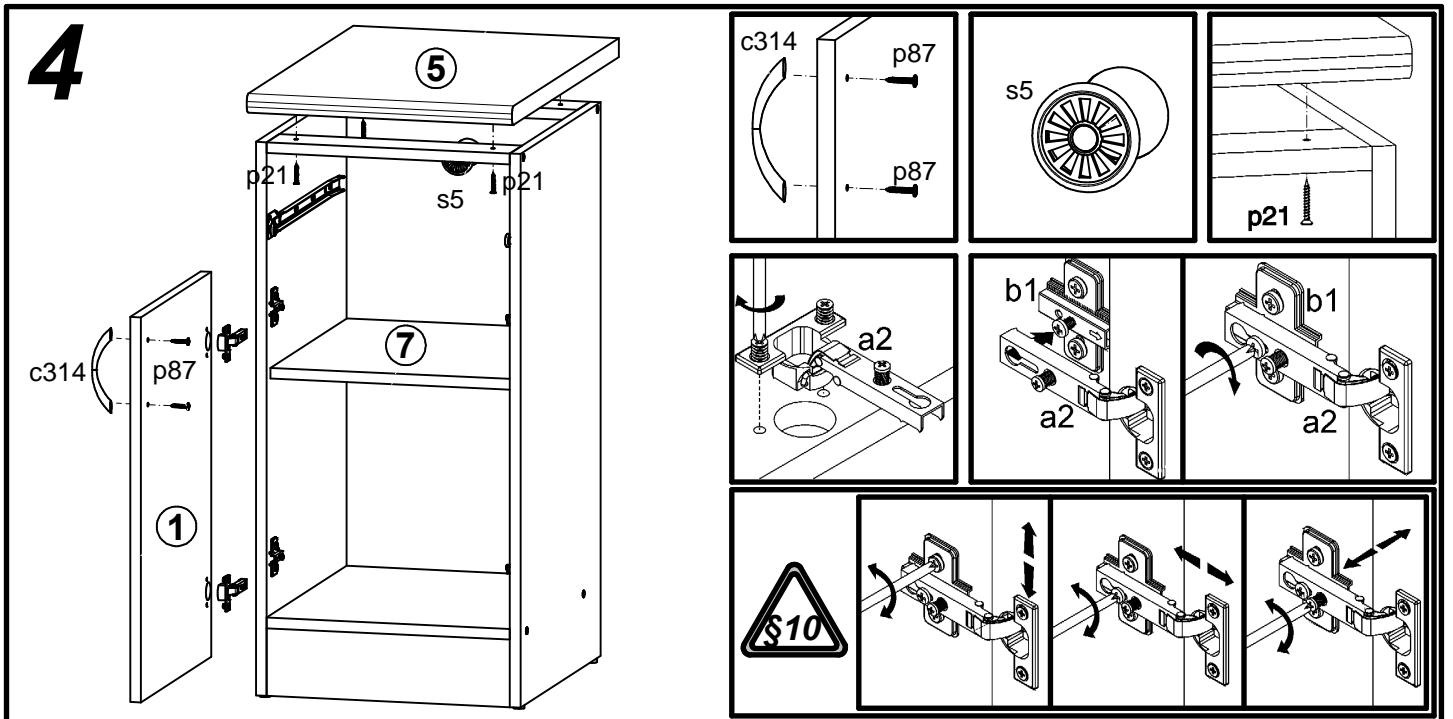
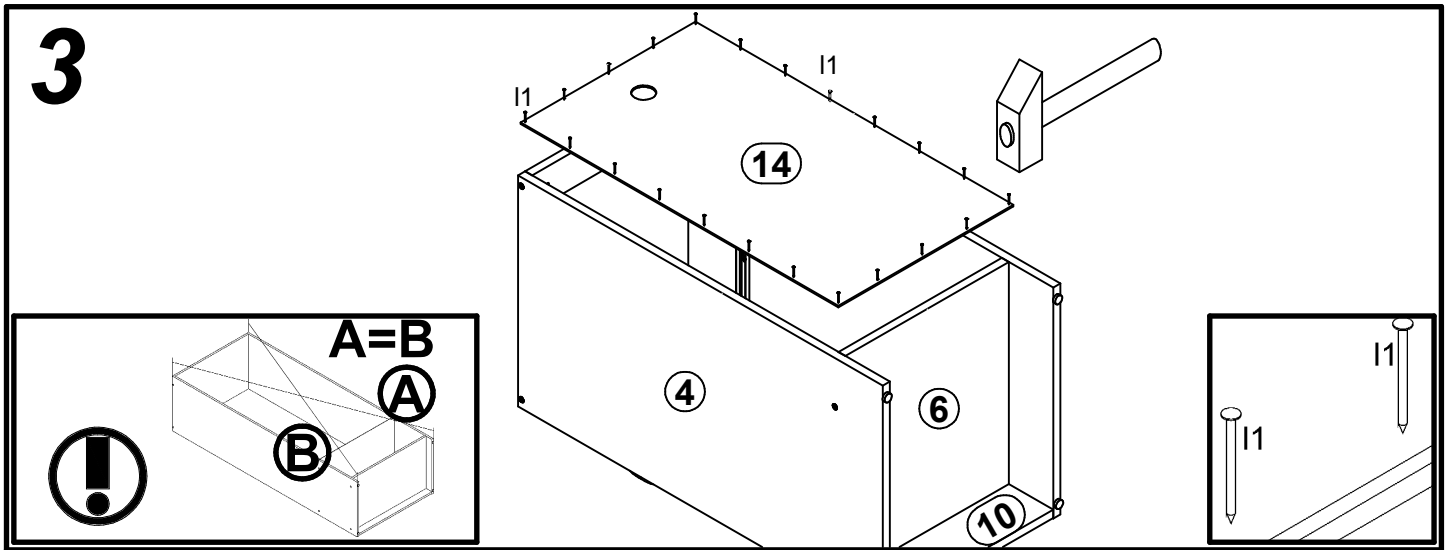


1



2

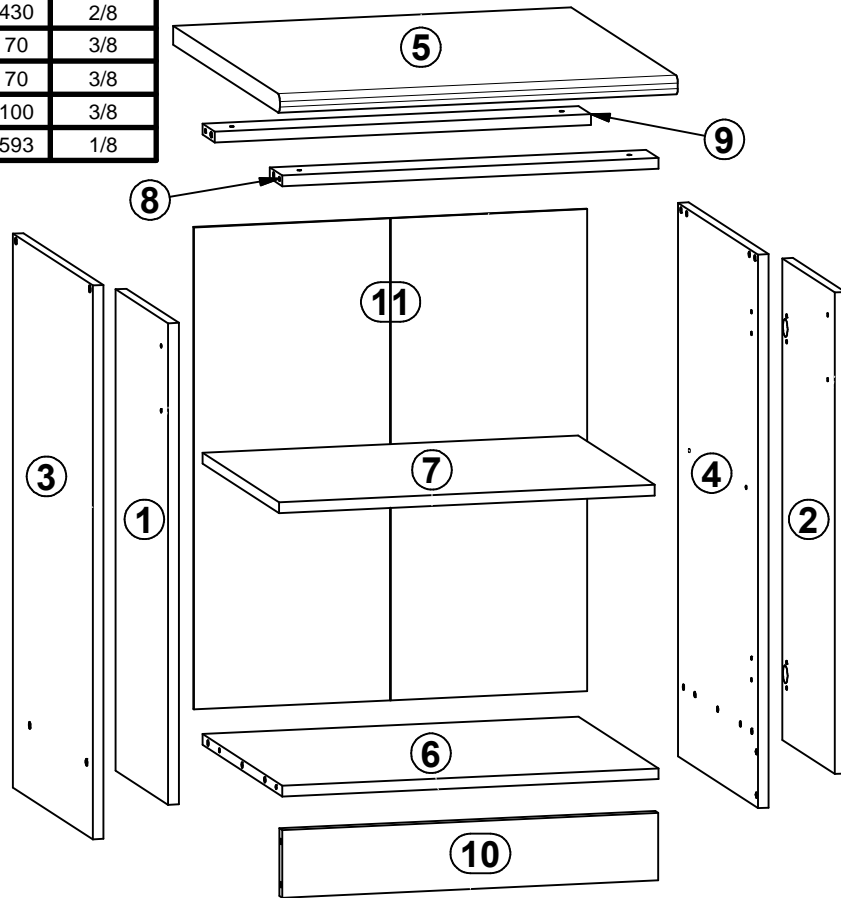
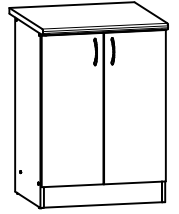




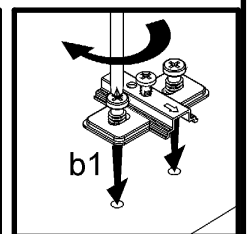
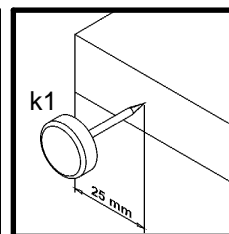
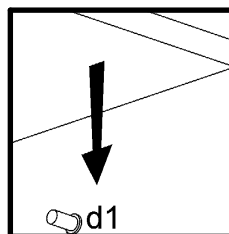
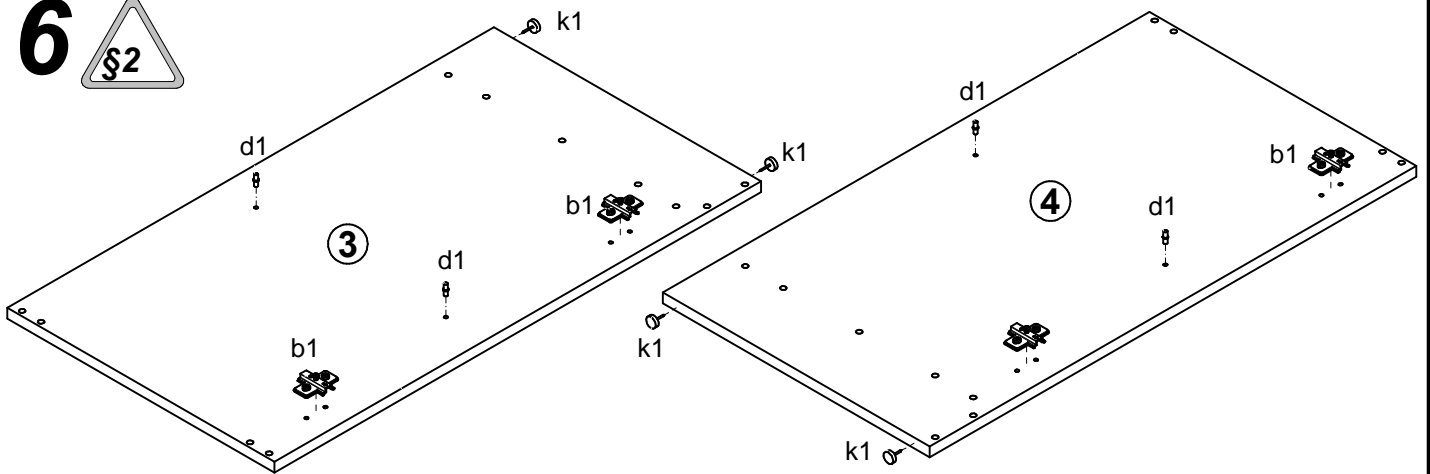
SONIA

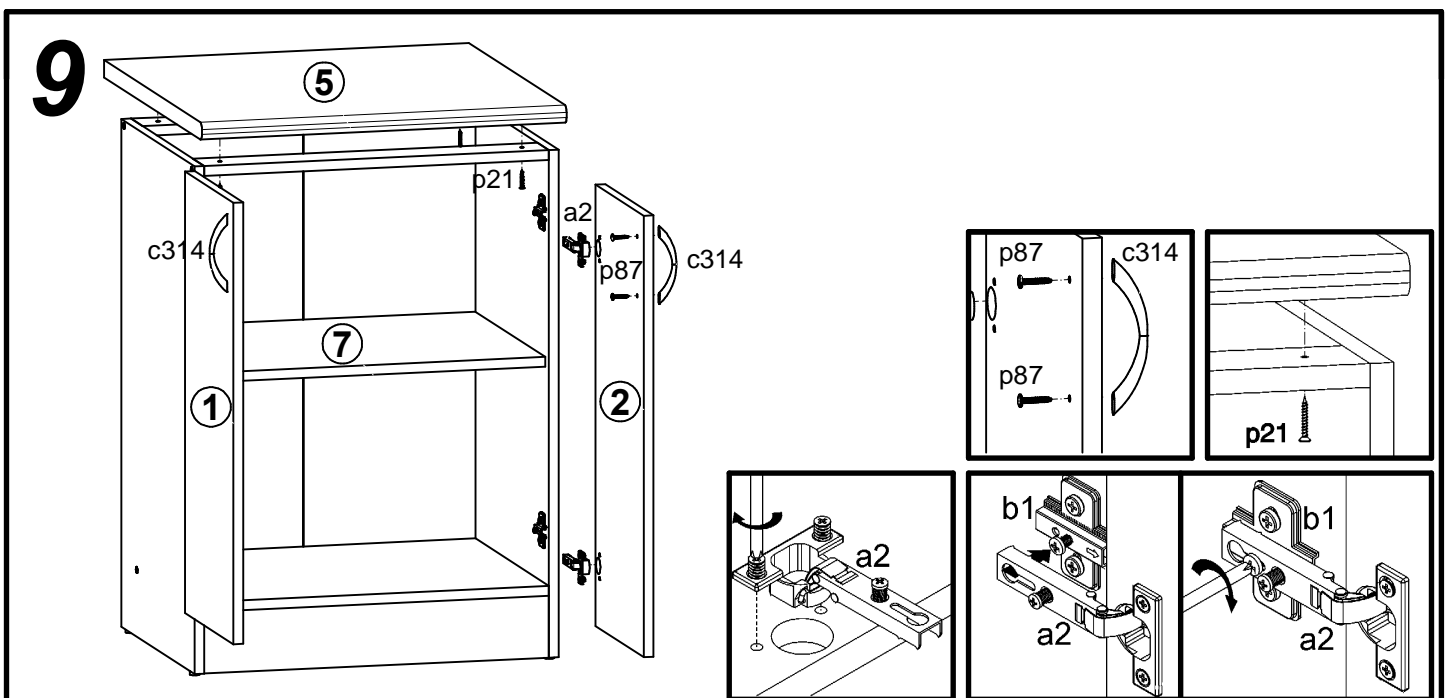
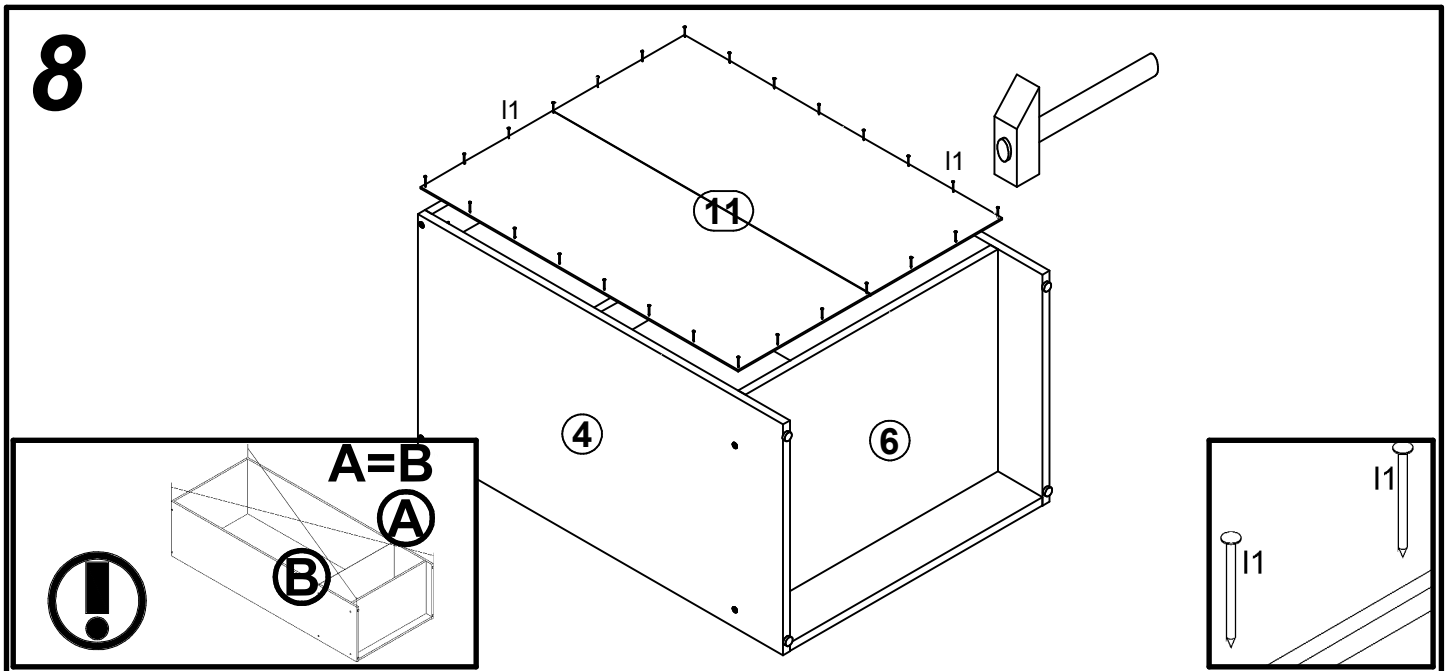
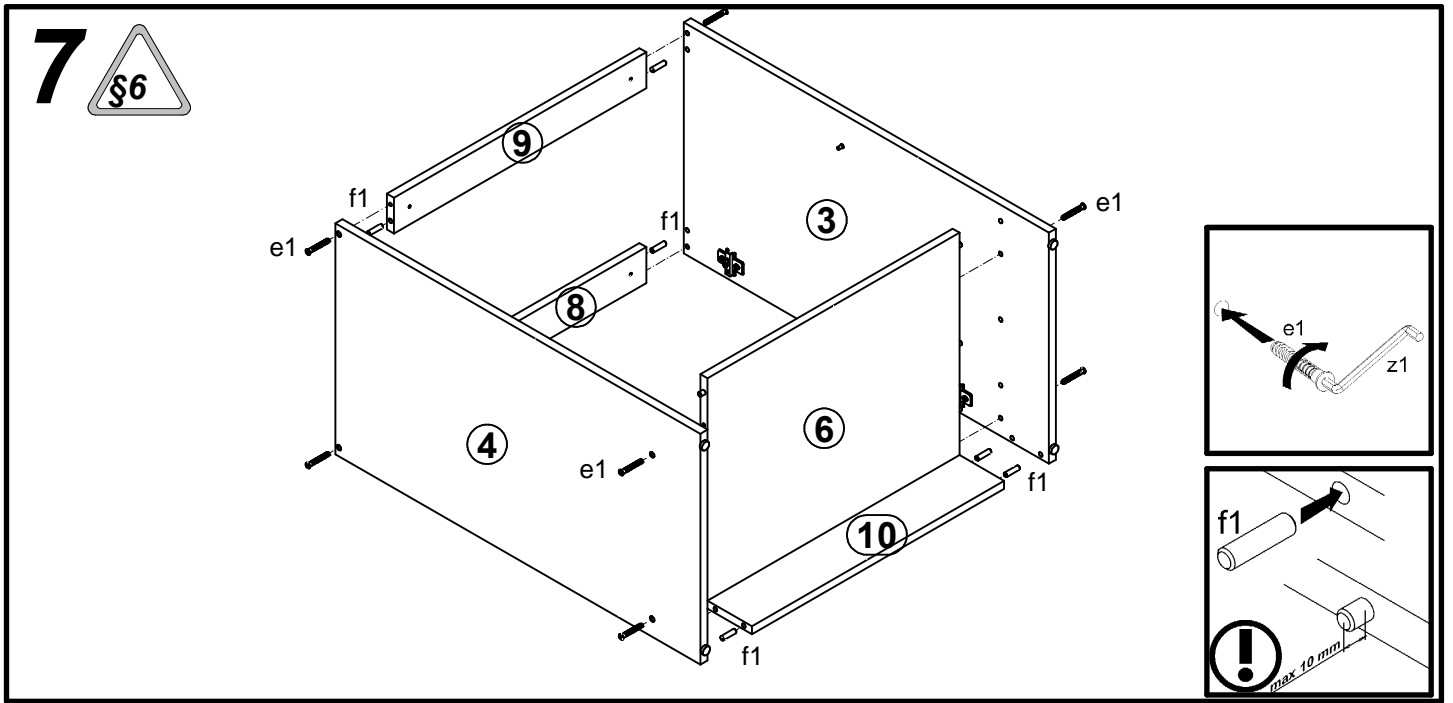
K13-KD2D/60/82

A	B	C	D	
1	K13-004	296	713	8/8
2	K13-009	296	713	8/8
3	K13-106	820	450	1/8
4	K13-107	820	450	1/8
5	K13-202	600	600	5/8
6	K13-311	567	450	2/8
7	K13-312	566	430	2/8
8	K13-404	567	70	3/8
9	K13-405	567	70	3/8
10	K13-406	567	100	3/8
11	K13-907	714	593	1/8

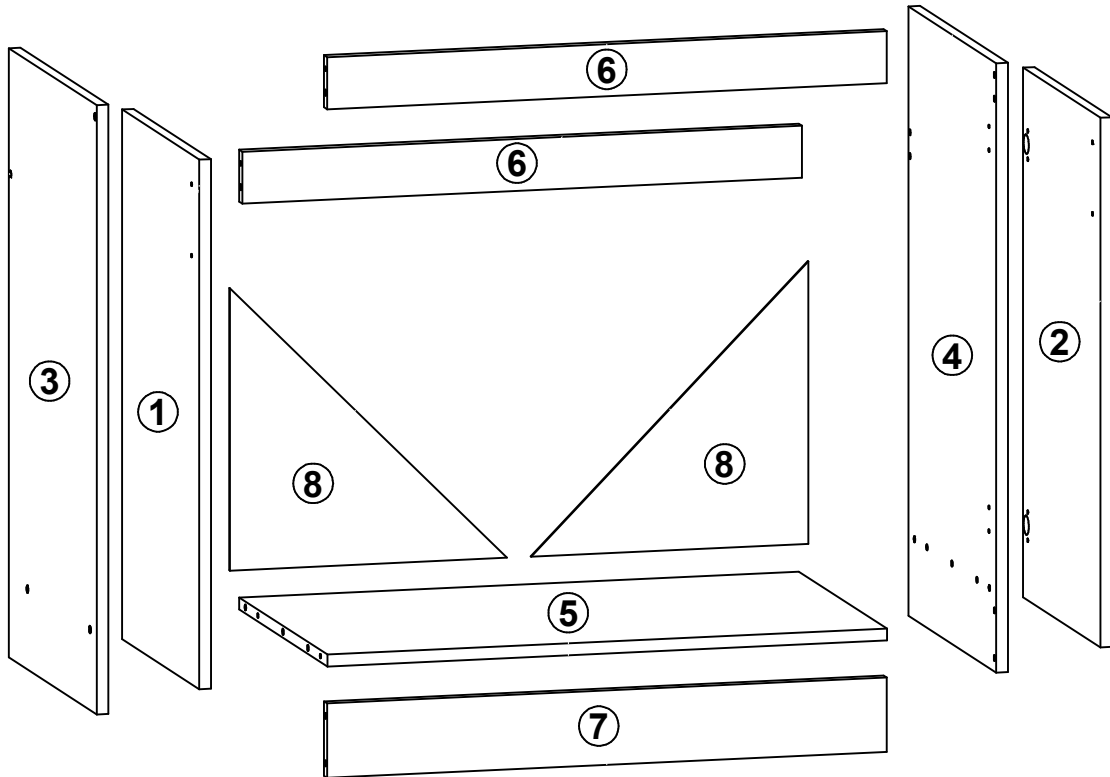
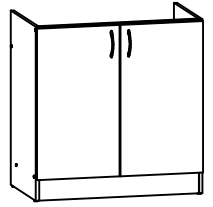


6

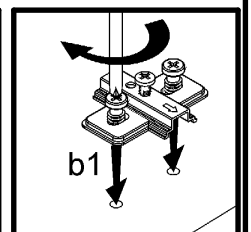
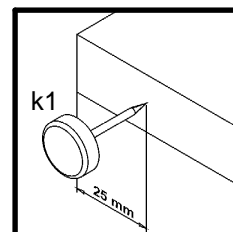
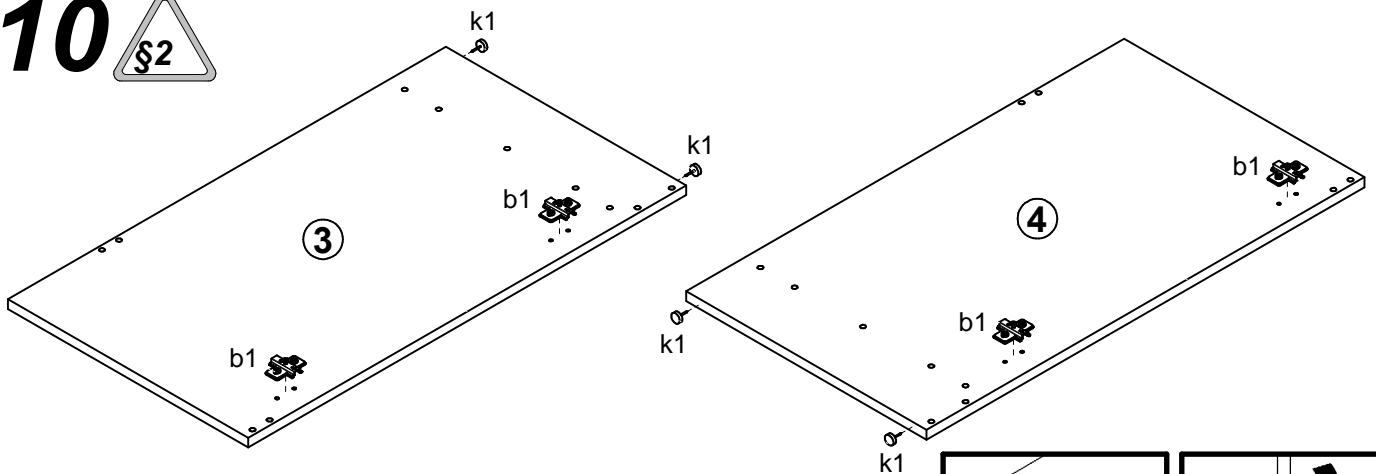




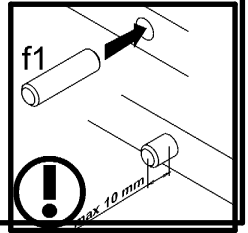
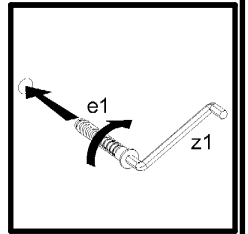
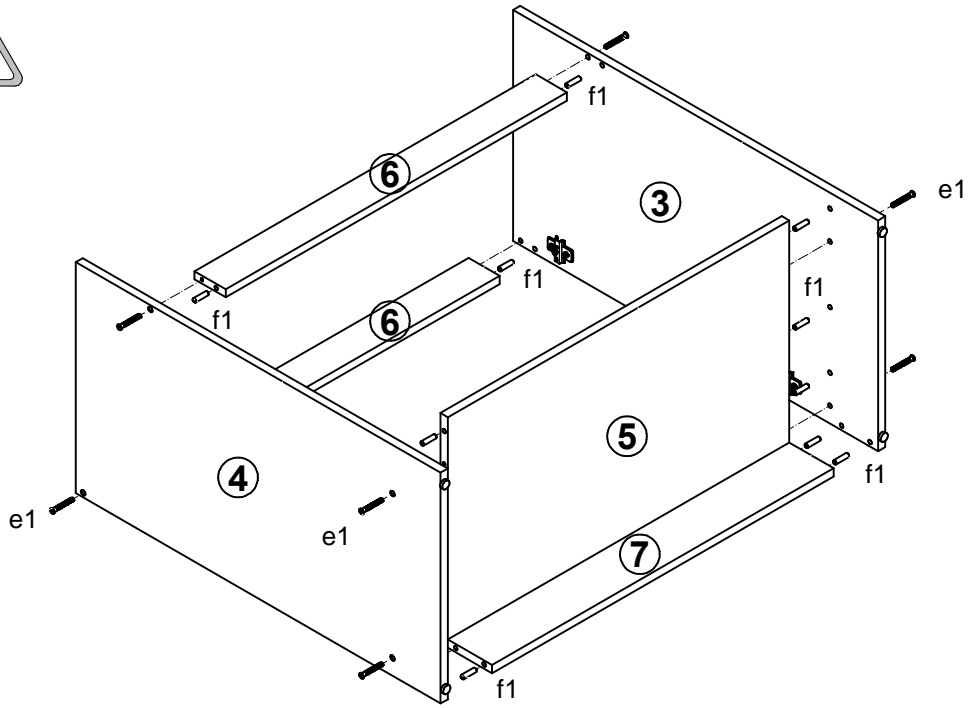
A	B	C	D
1	K13-005	396	713
2	K13-010	396	713
3	K13-108	820	450
4	K13-109	820	450
5	K13-313	767	450
6	K13-408	767	70
7	K13-409	767	100
8	K13-908	380	380



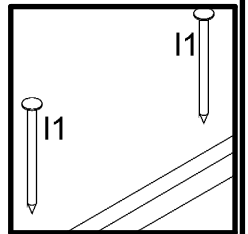
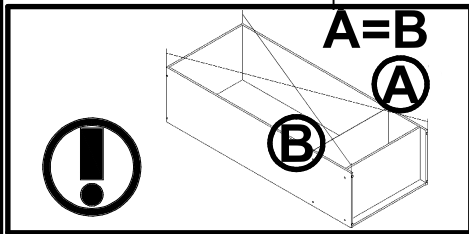
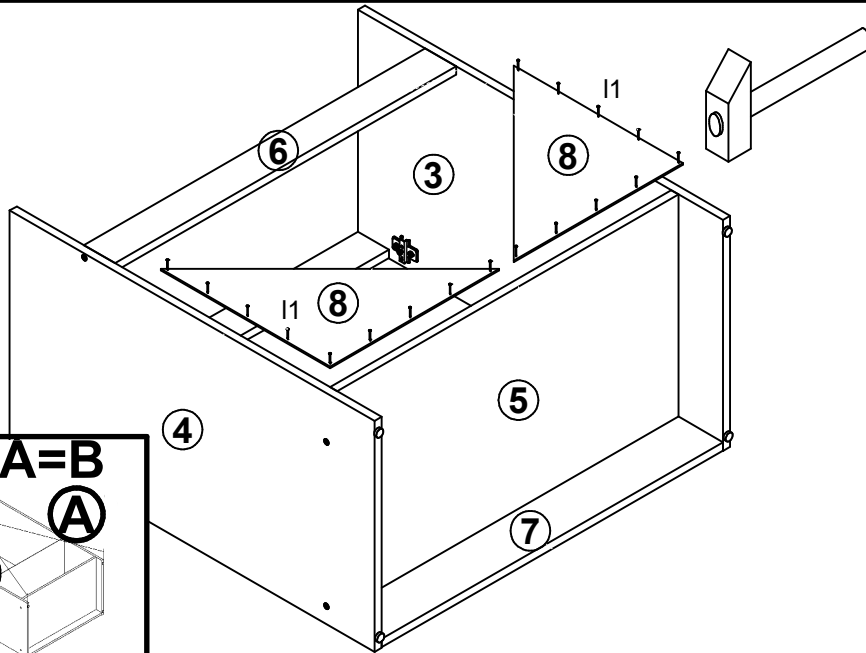
10



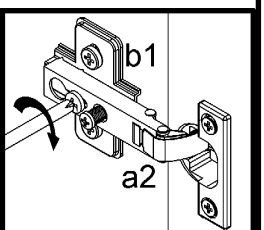
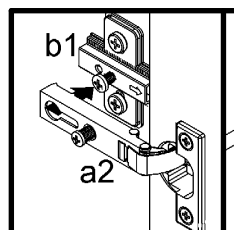
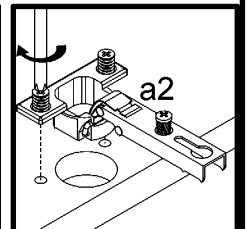
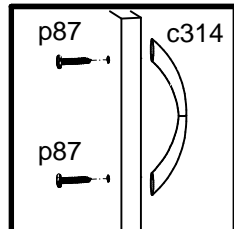
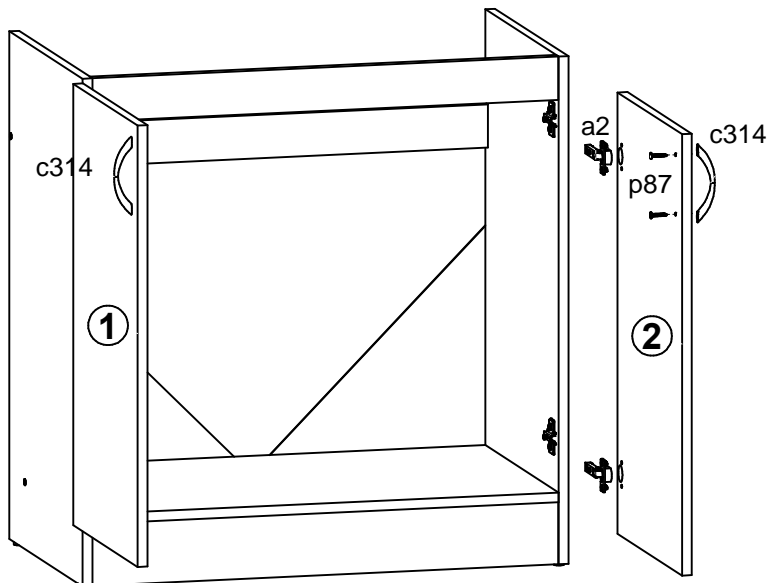
11



12



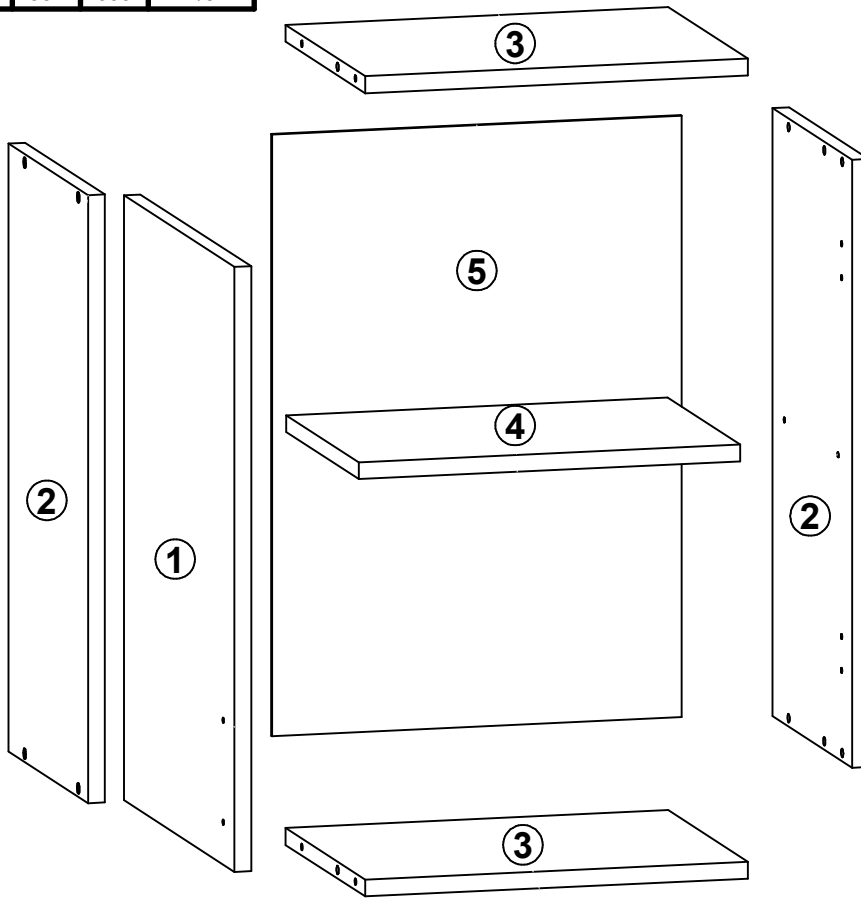
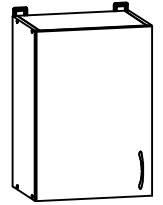
13



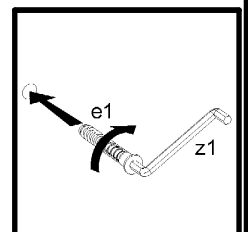
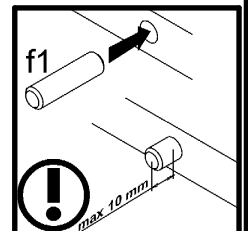
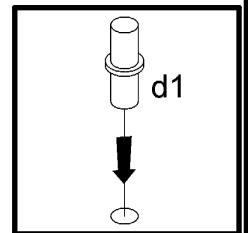
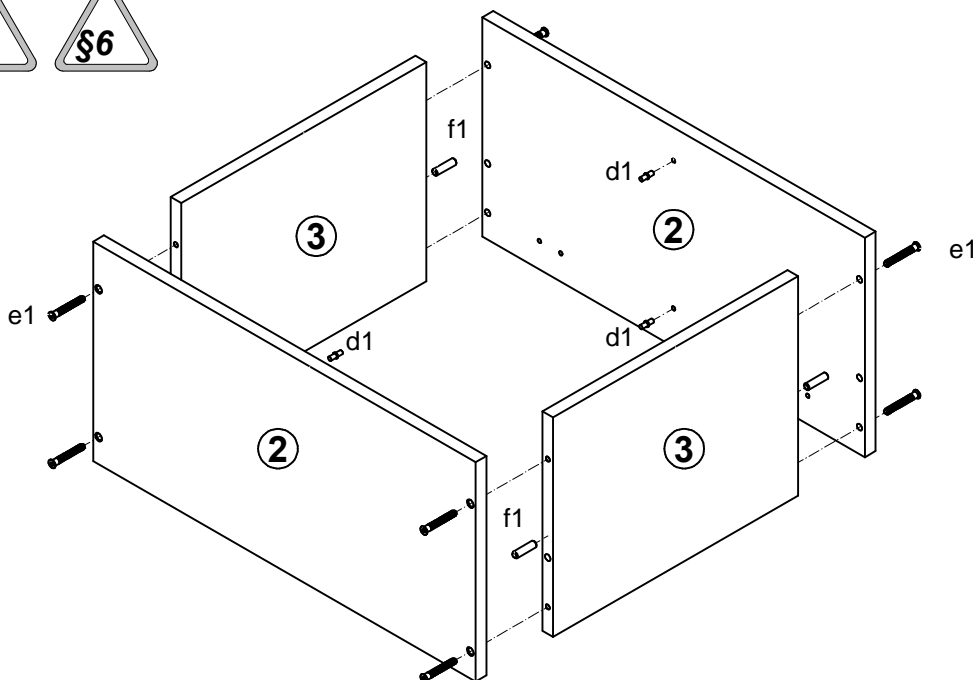
SONIA

K13-KG1D/40/57

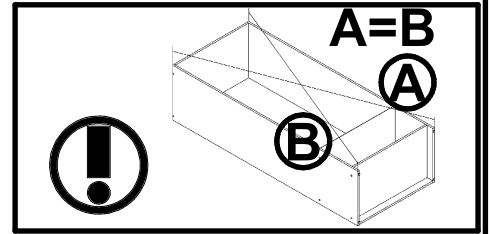
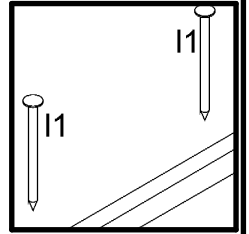
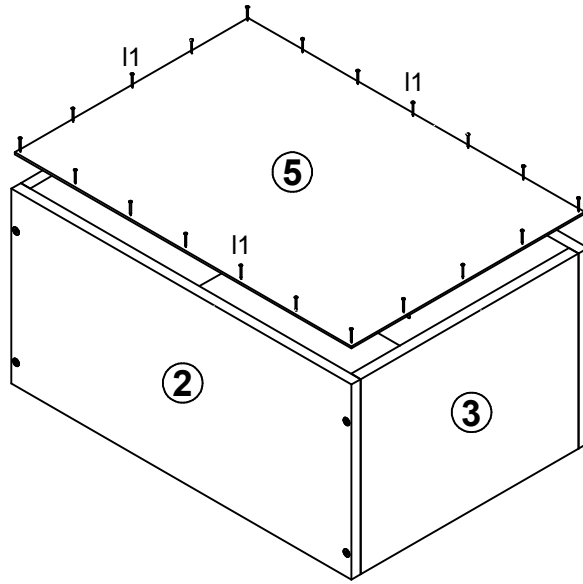
A	B	C	D	
1	K13-002	396	570	7/8
2	K13-101	573	285	3/8
3	K13-301	367	285	2/8
4	K13-302	366	260	2/8
5	K13-901	567	393	1/8



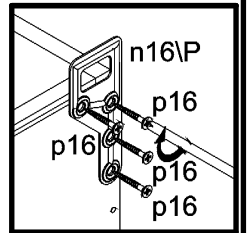
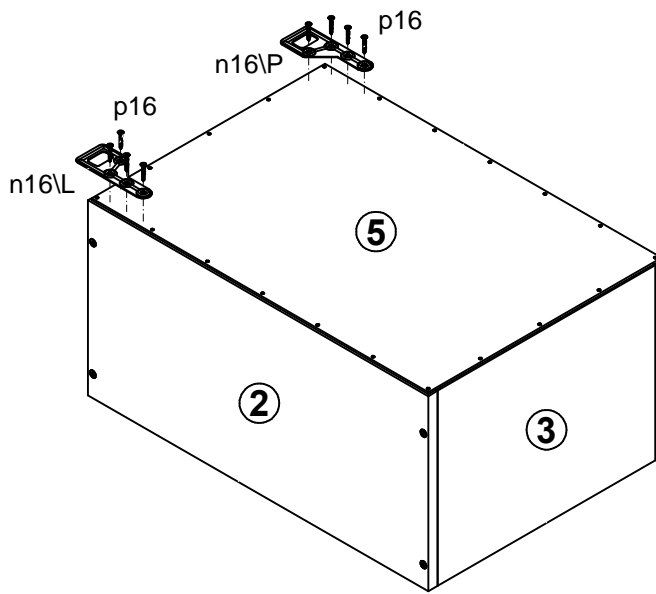
14



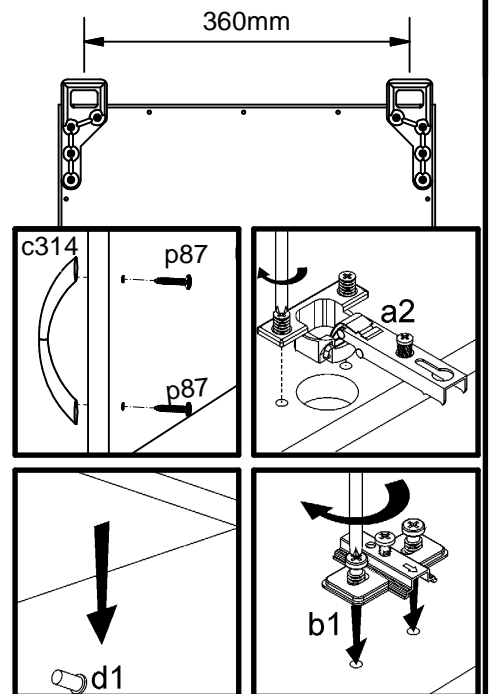
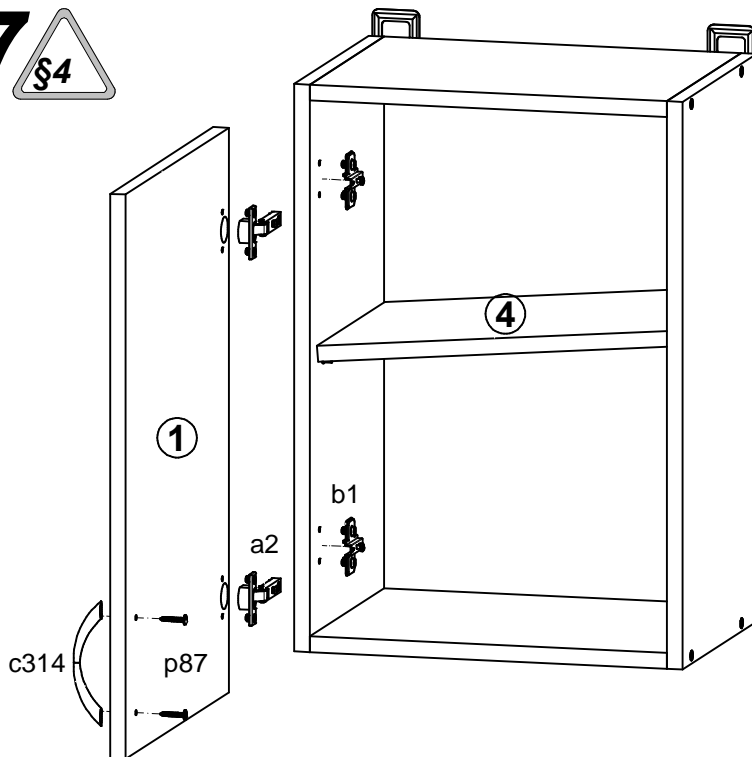
15



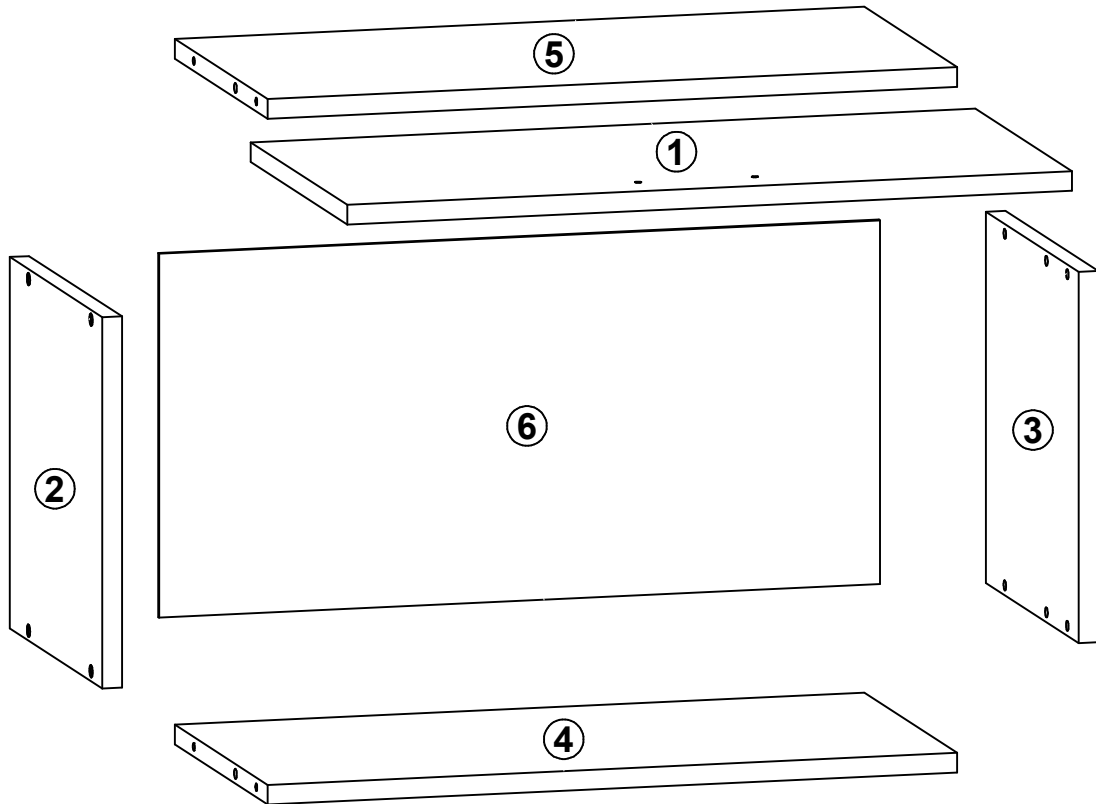
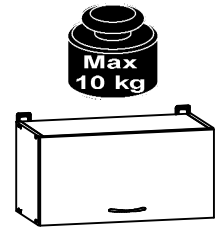
16



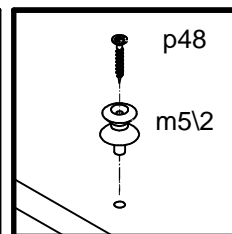
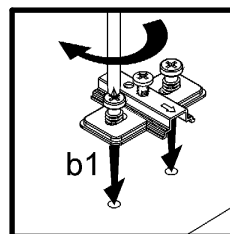
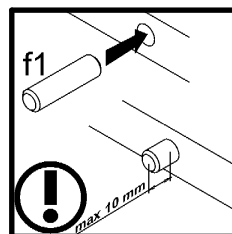
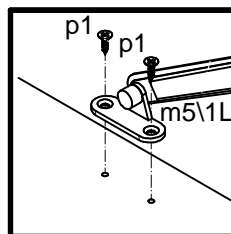
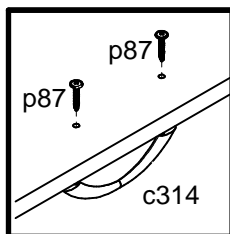
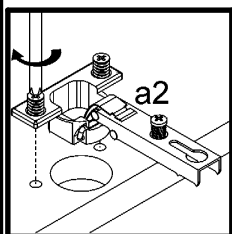
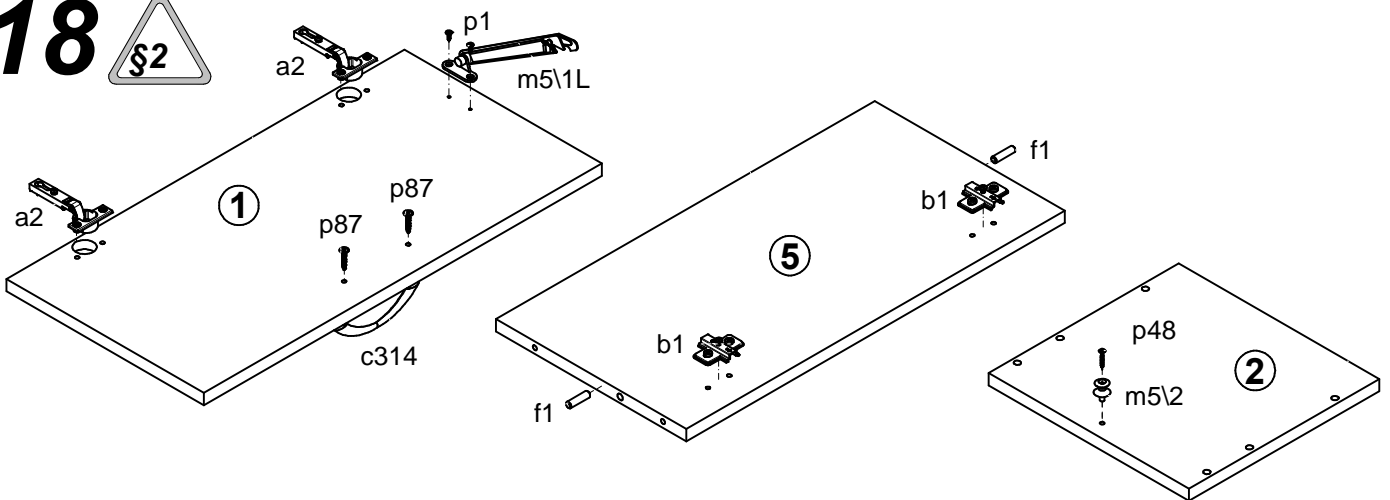
17



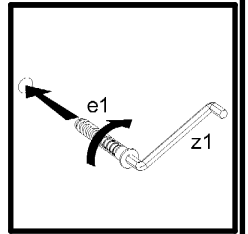
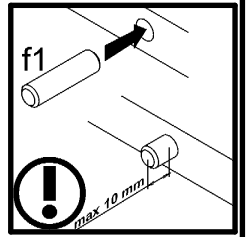
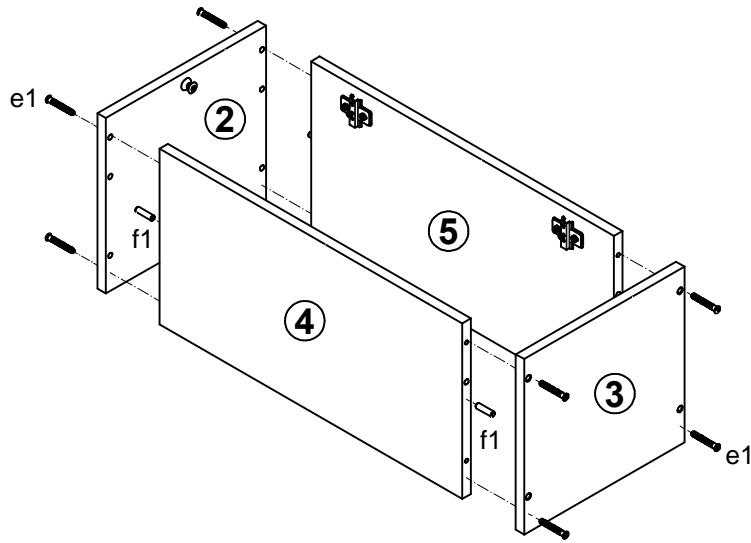
A	B	C	D
1	K13-011	596	296
2	K13-102	300	285
3	K13-103	300	285
4	K13-303	567	285
5	K13-307	567	285
6	K13-904	593	294



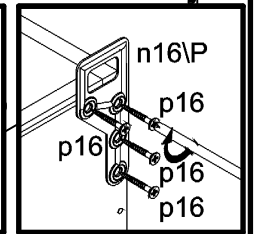
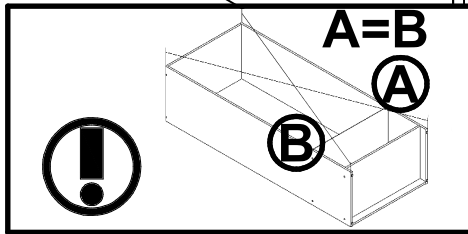
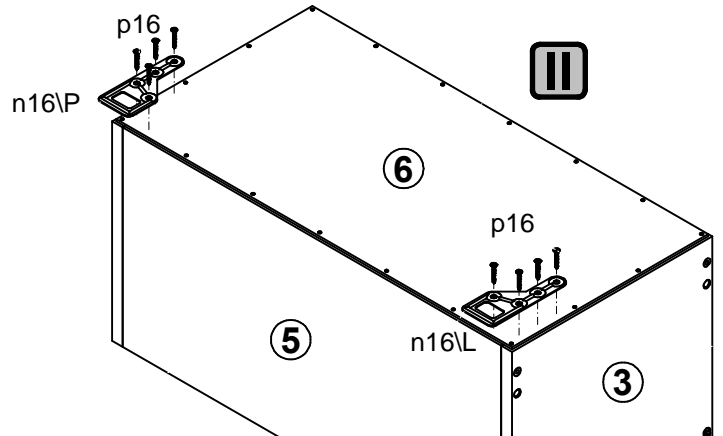
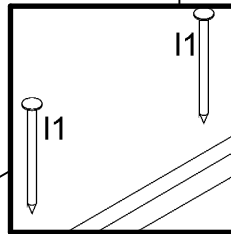
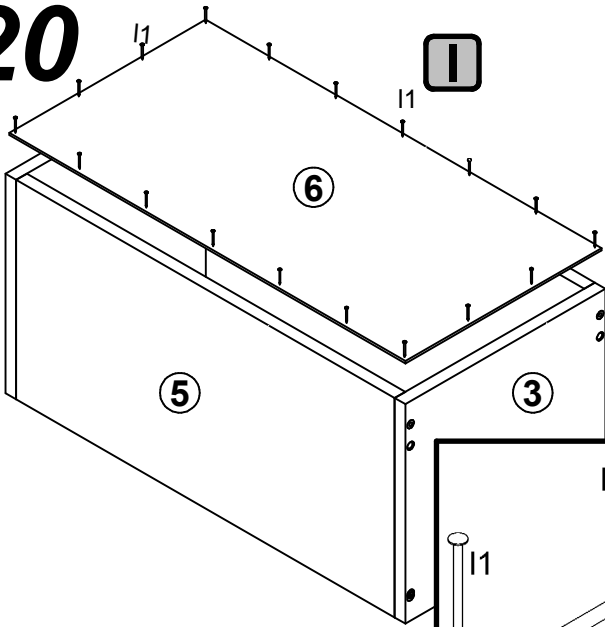
18



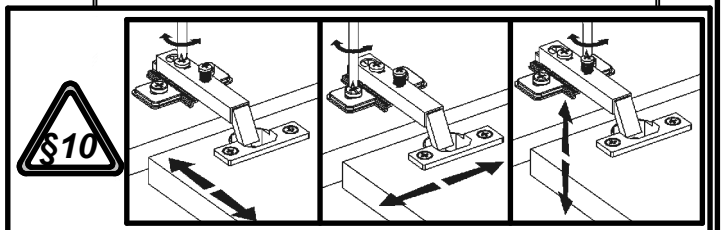
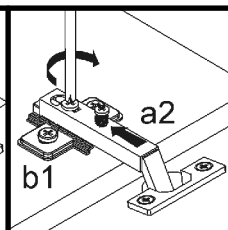
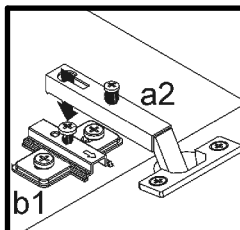
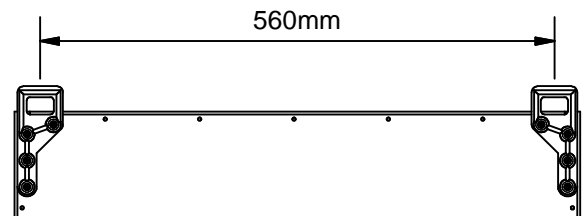
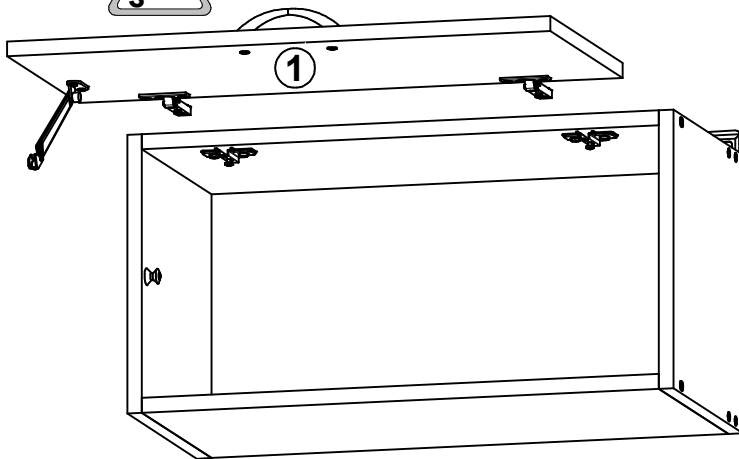
19



20



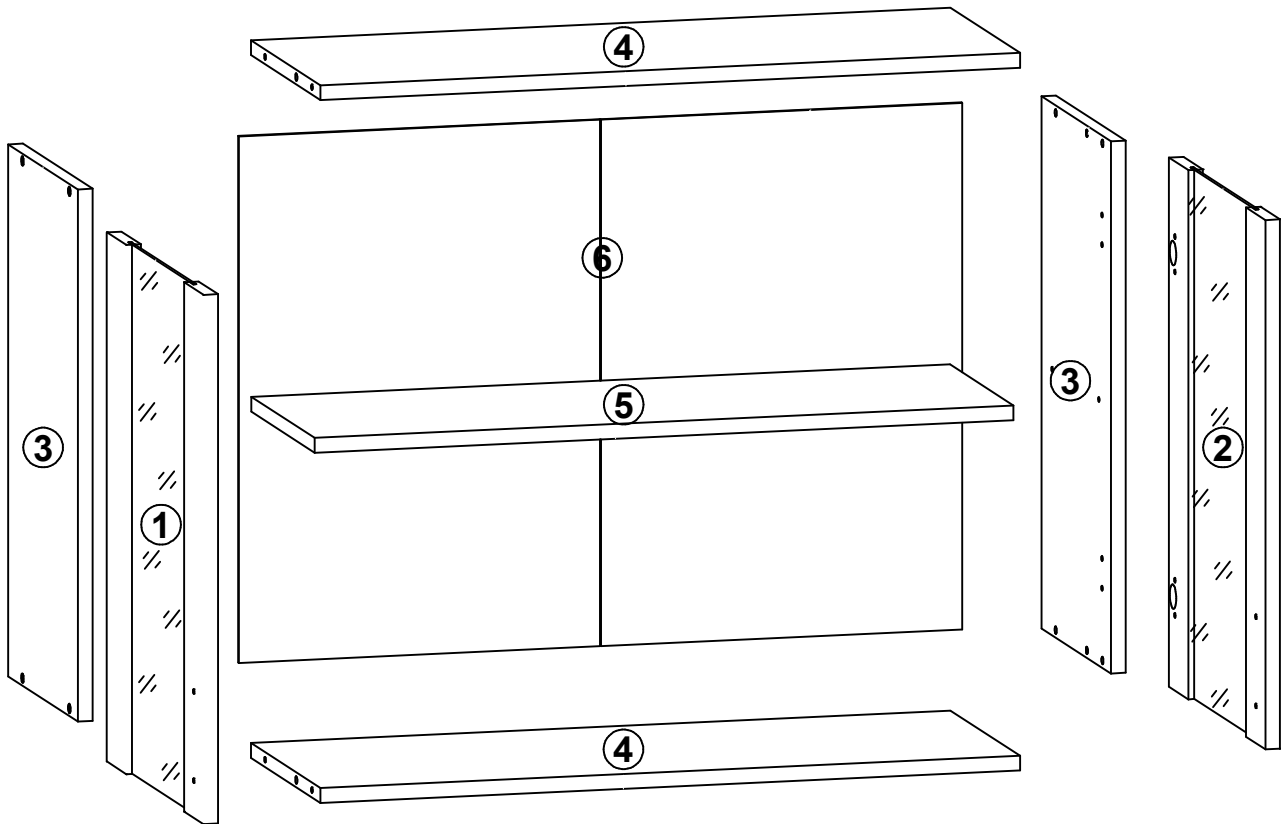
21



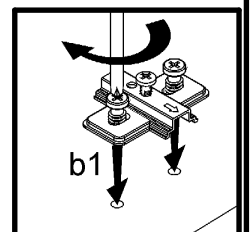
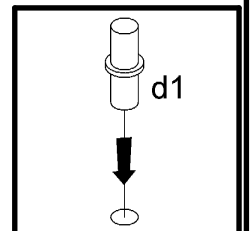
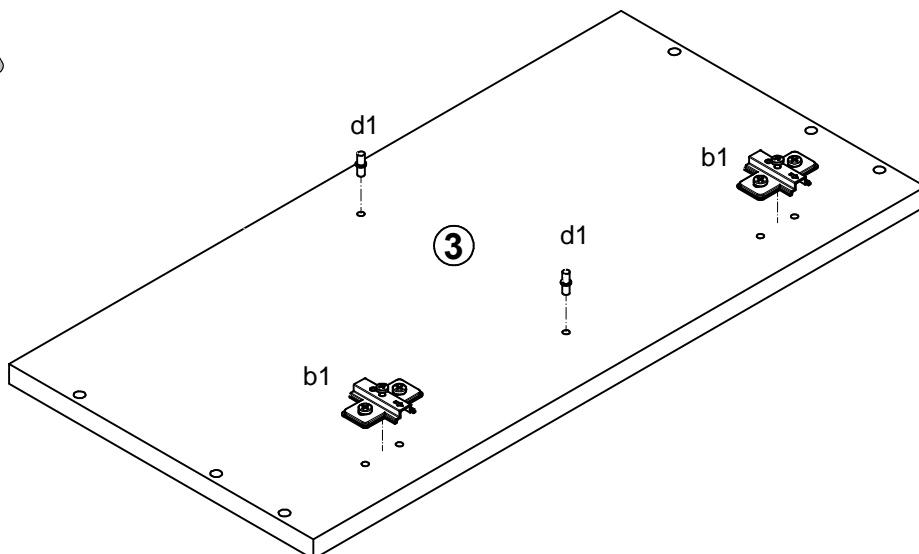
SONIA

K13-KG2W/80/57

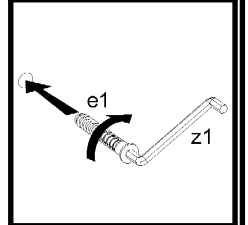
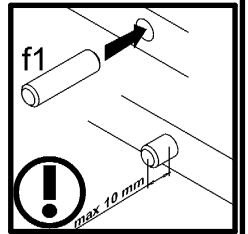
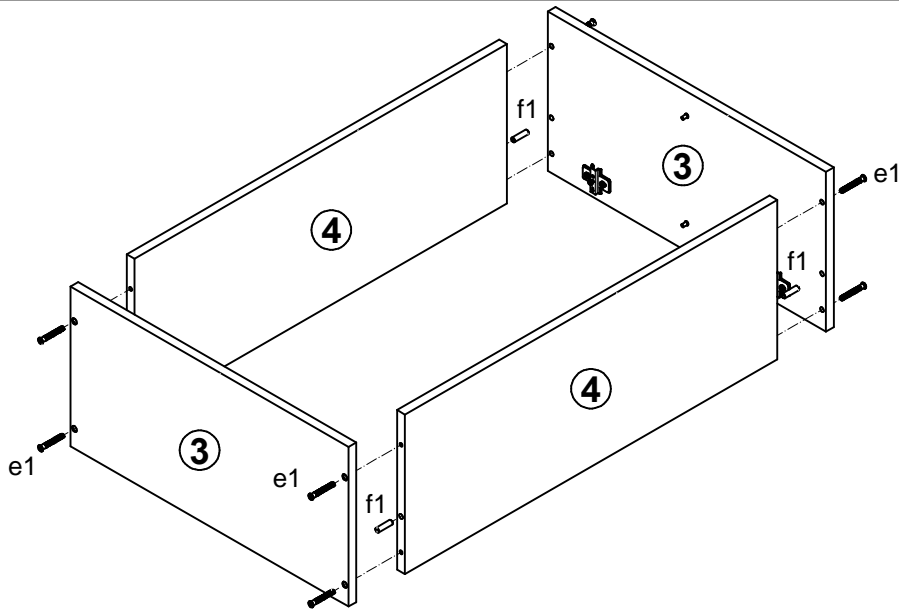
A	B	C	D
1	K13-001	396	570 7/8
2	K13-006	396	570 7/8
3	K13-101	573	285 3/8
4	K13-305	767	285 4/8
5	K13-306	766	260 4/8
6	K13-903	567	793 1/8



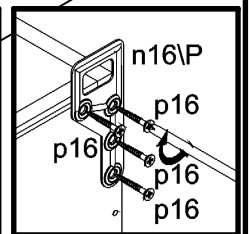
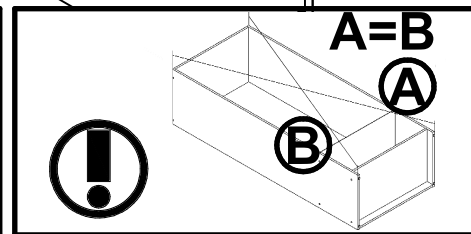
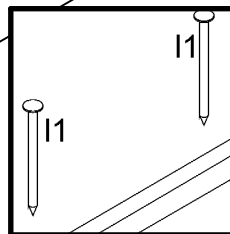
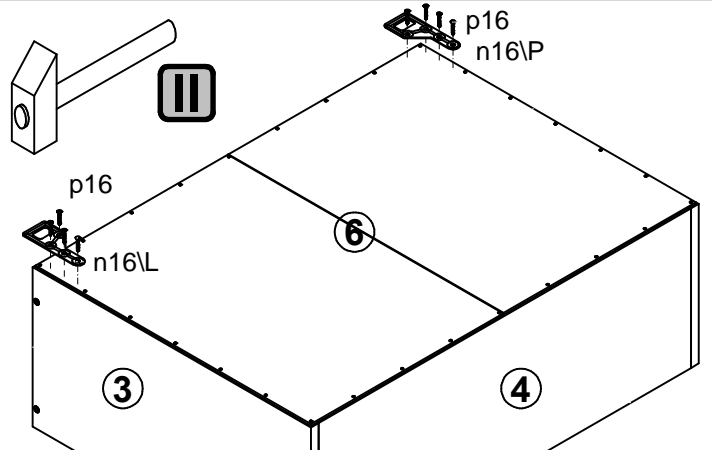
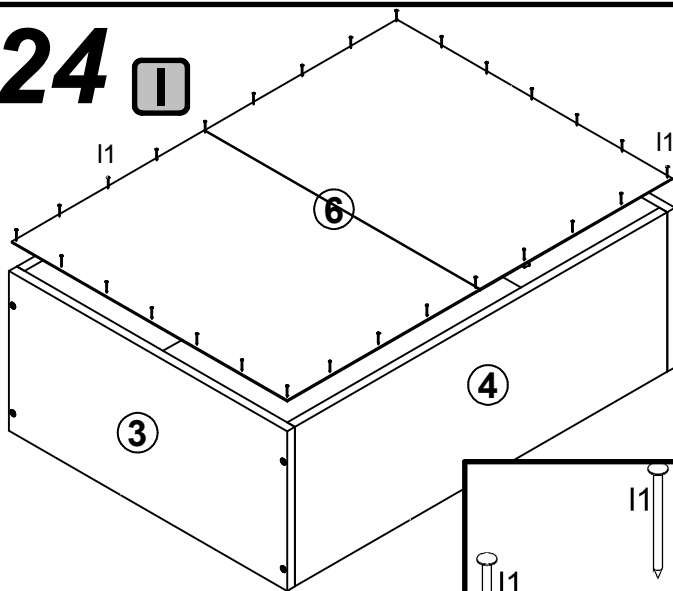
22



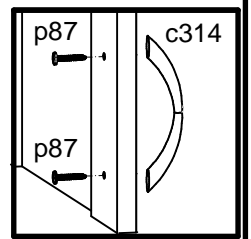
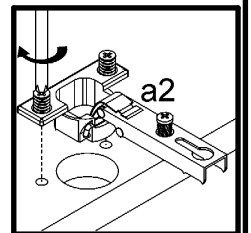
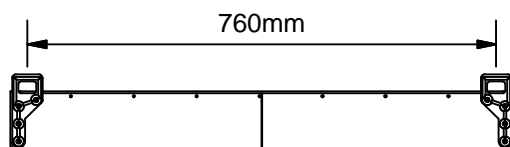
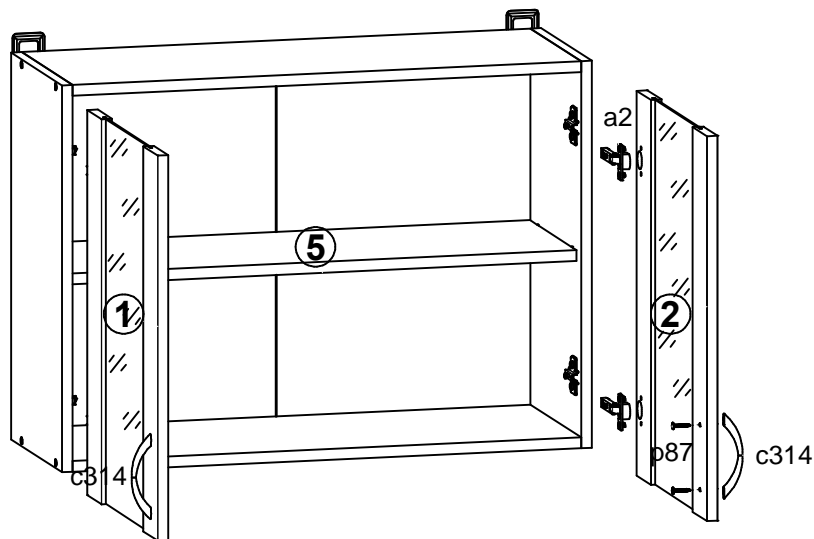
23



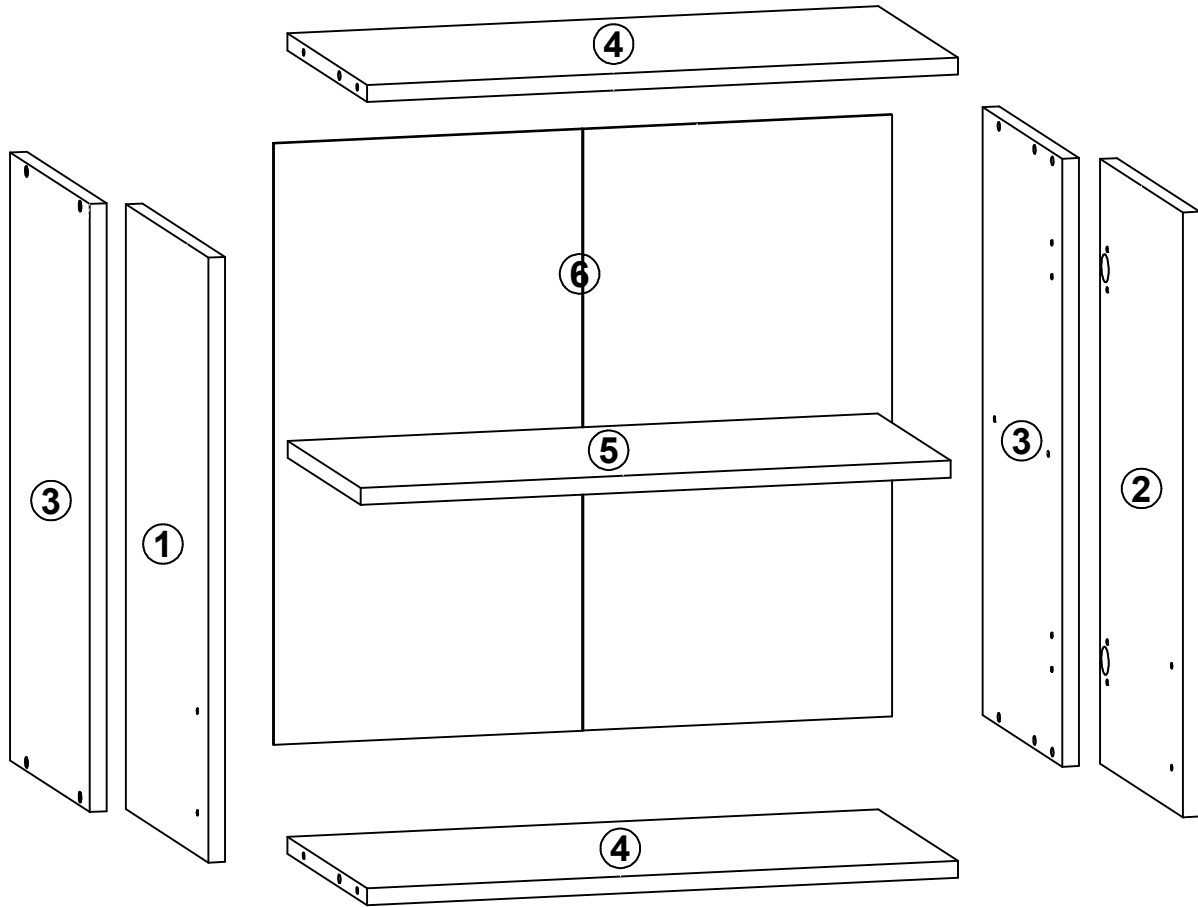
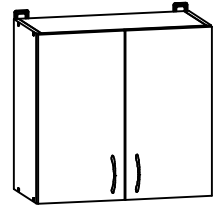
24



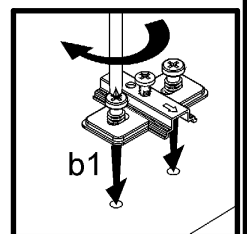
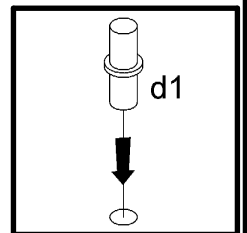
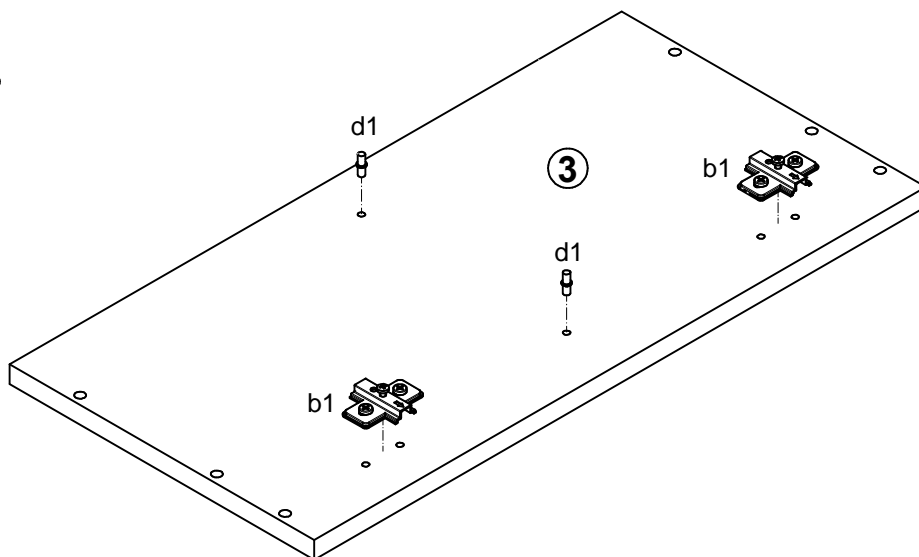
25



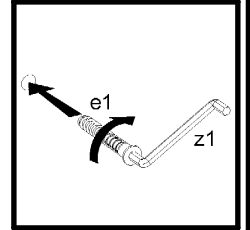
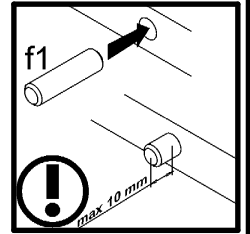
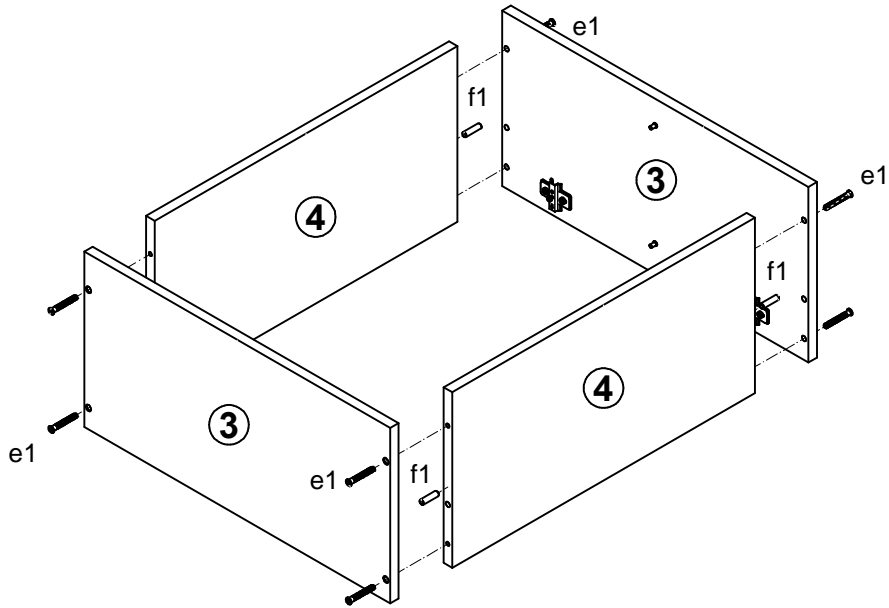
A	B	C	D
1	K13-003	296	570 8/8
2	K13-008	296	570 8/8
3	K13-101	573	285 3/8
4	K13-303	567	285 4/8
5	K13-304	566	260 4/8
6	K13-902	567	593 1/8



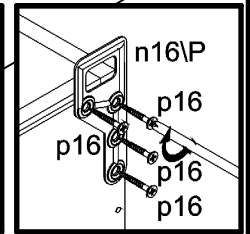
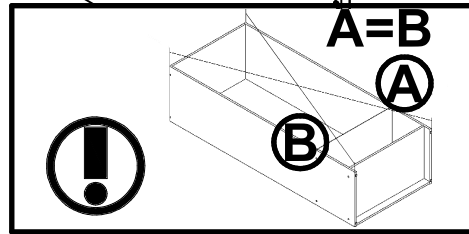
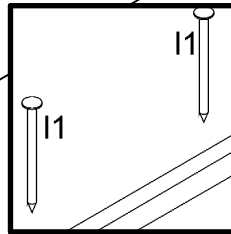
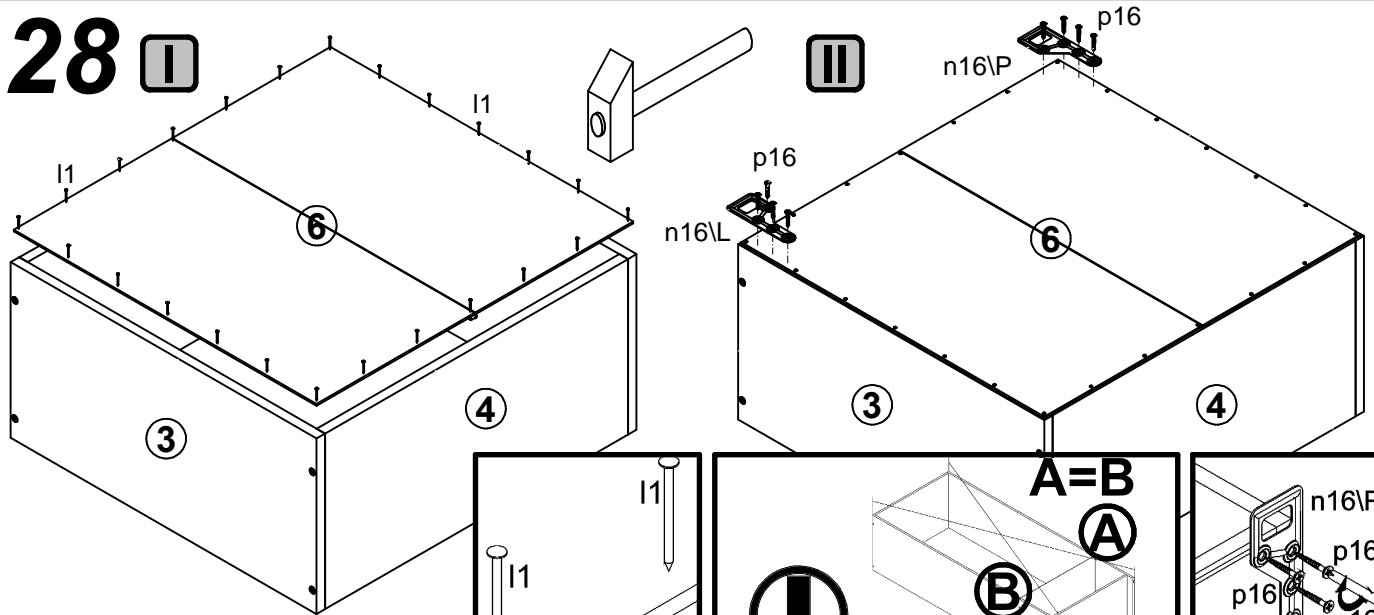
26



27



28



29

