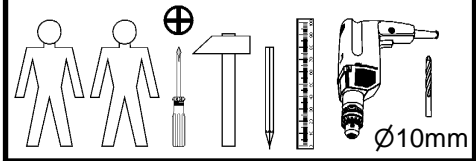
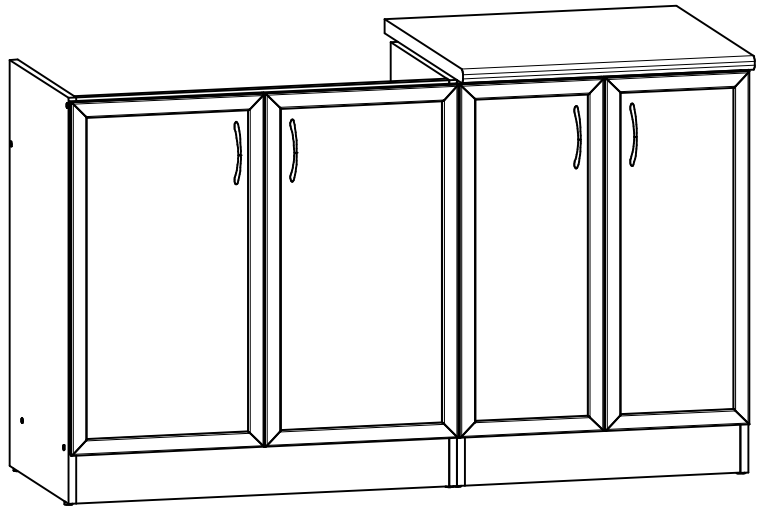
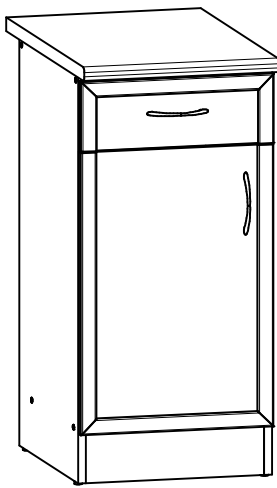
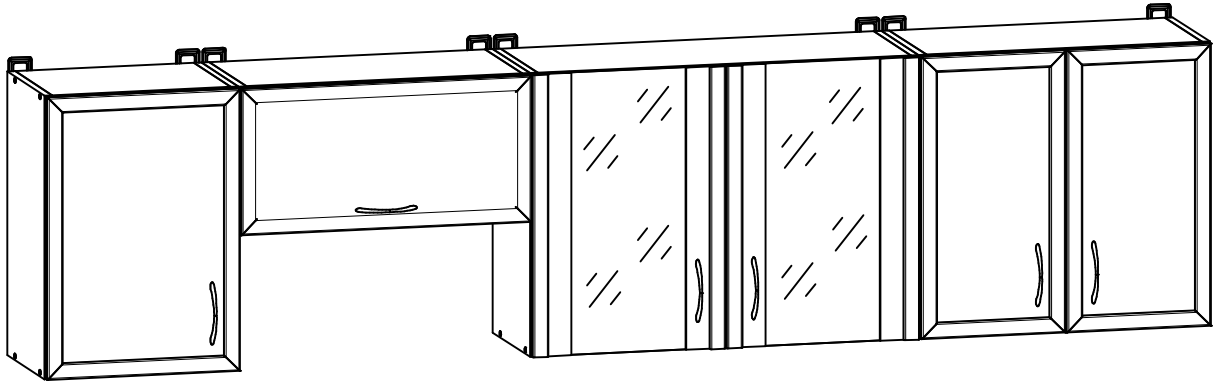
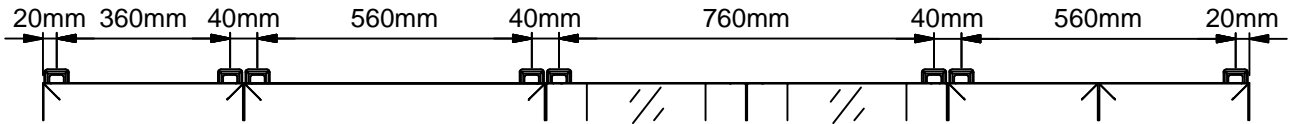


SONIA-RAMKA

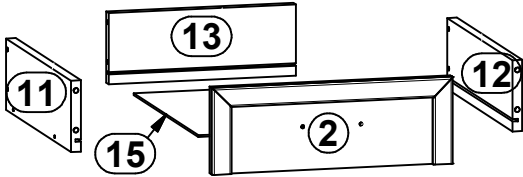
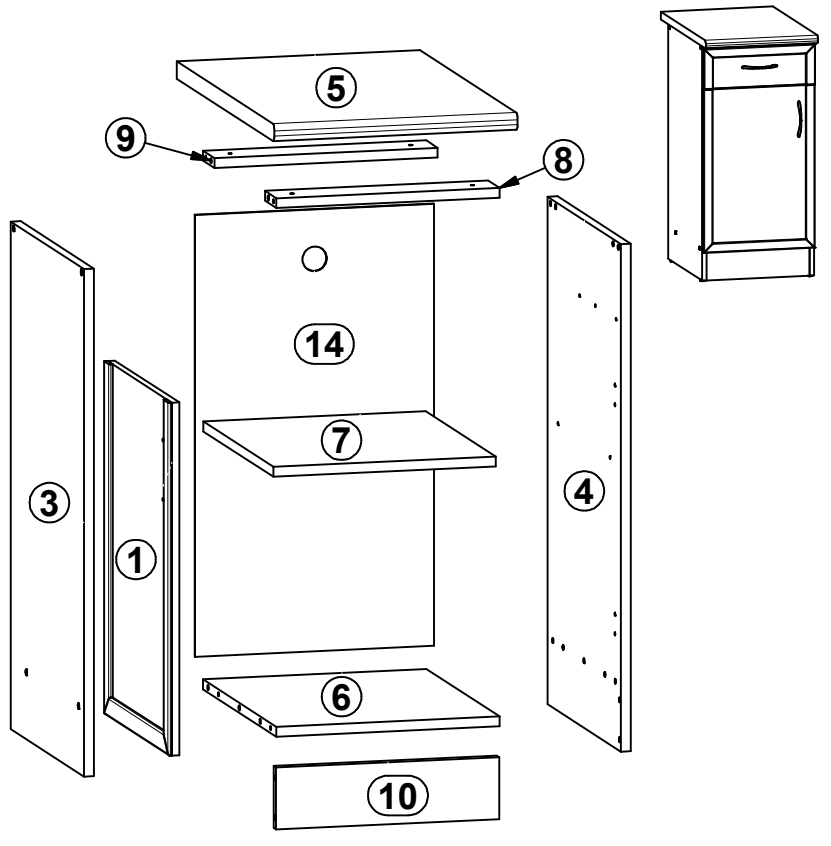


32x φ3,5x25 mm p16	22x a2	22x b1	12x c314	20x φ5x17 mm d1	56x φ7x50 mm e1	4x φ5x9 mm e19	6x φ6x13 mm e3	62x φ8x30 mm f1
4x φ6,5x40 mm f25	12x k1	160x l1	1x m5\1L	1x m5\2	4x n16\L	4x n16\P	2x φ3,5x13 mm p1	8x φ4x30 mm p21
24x φ4x20 mm p39	1x s5	1x 400 mm w5\CL	1x 400 mm w5\CR	1x 400 mm w5\DL	1x 400 mm w5\DR	1x y1	1x z1	8 φ10x50 mm f35
8x φ6x60 mm p75	1x φ3x25 mm p48	16x s1						

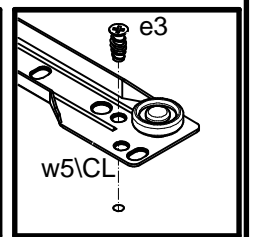
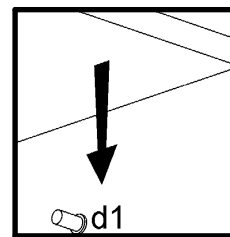
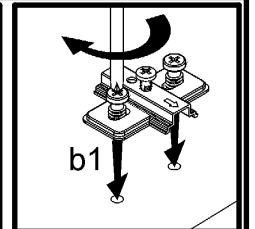
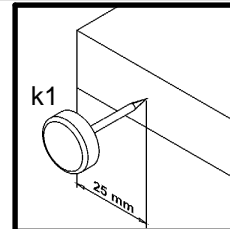
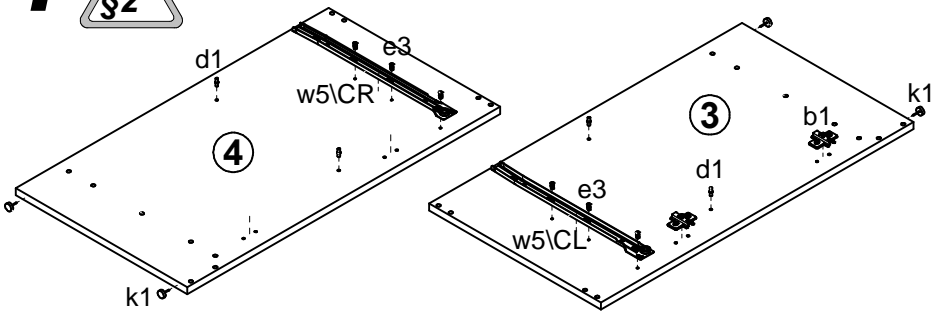
SONIA

K13-KD1D1S/40/82

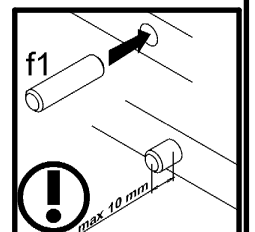
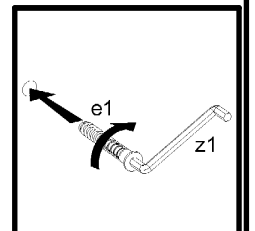
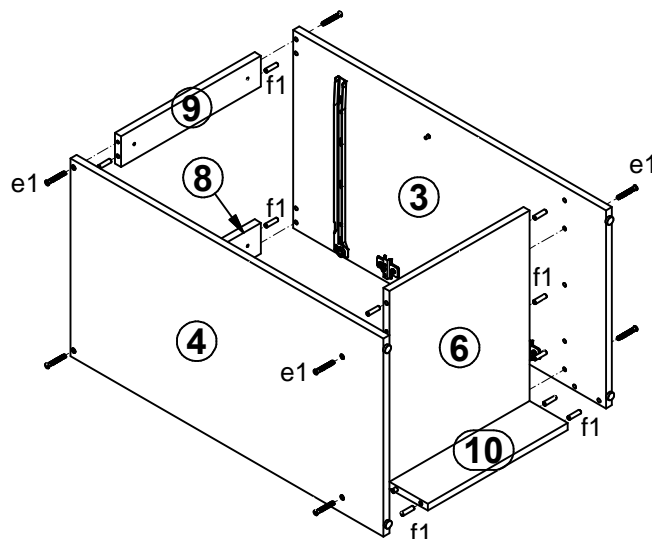
A	B	C	D	
1	K13-017	570	396	7/8
2	K13-022	140	396	7/8
3	K13-104	820	450	1/8
4	K13-105	820	450	1/8
5	K13-201	400	600	5/8
6	K13-309	367	450	2/8
7	K13-310	366	430	2/8
8	K13-401	367	70	2/8
9	K13-402	367	70	2/8
10	K13-403	367	100	2/8
11	K13-501	400	115	2/8
12	K13-502	400	115	2/8
13	K13-503	308	115	2/8
14	K13-905	714	393	1/8
15	K13-906	398	325	1/8

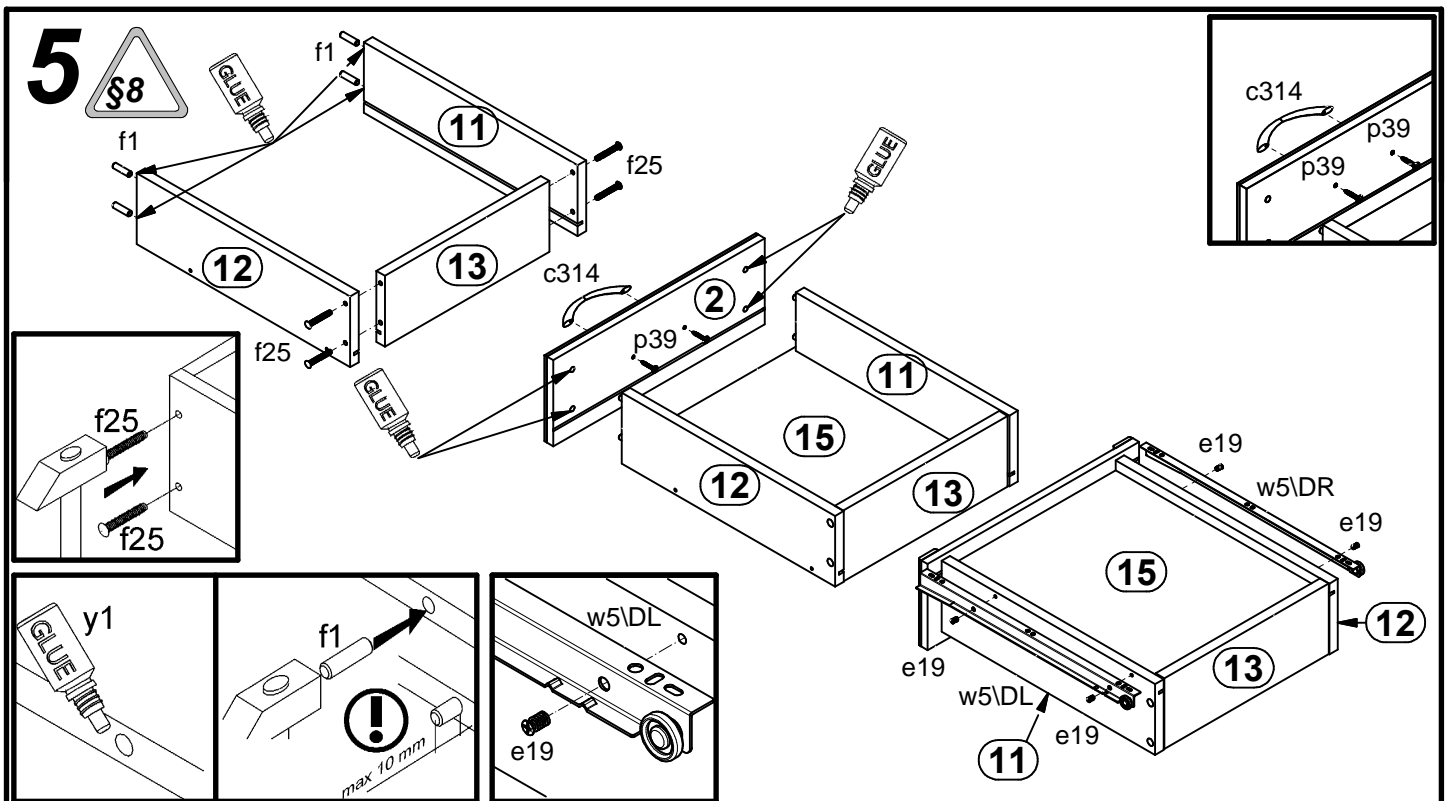
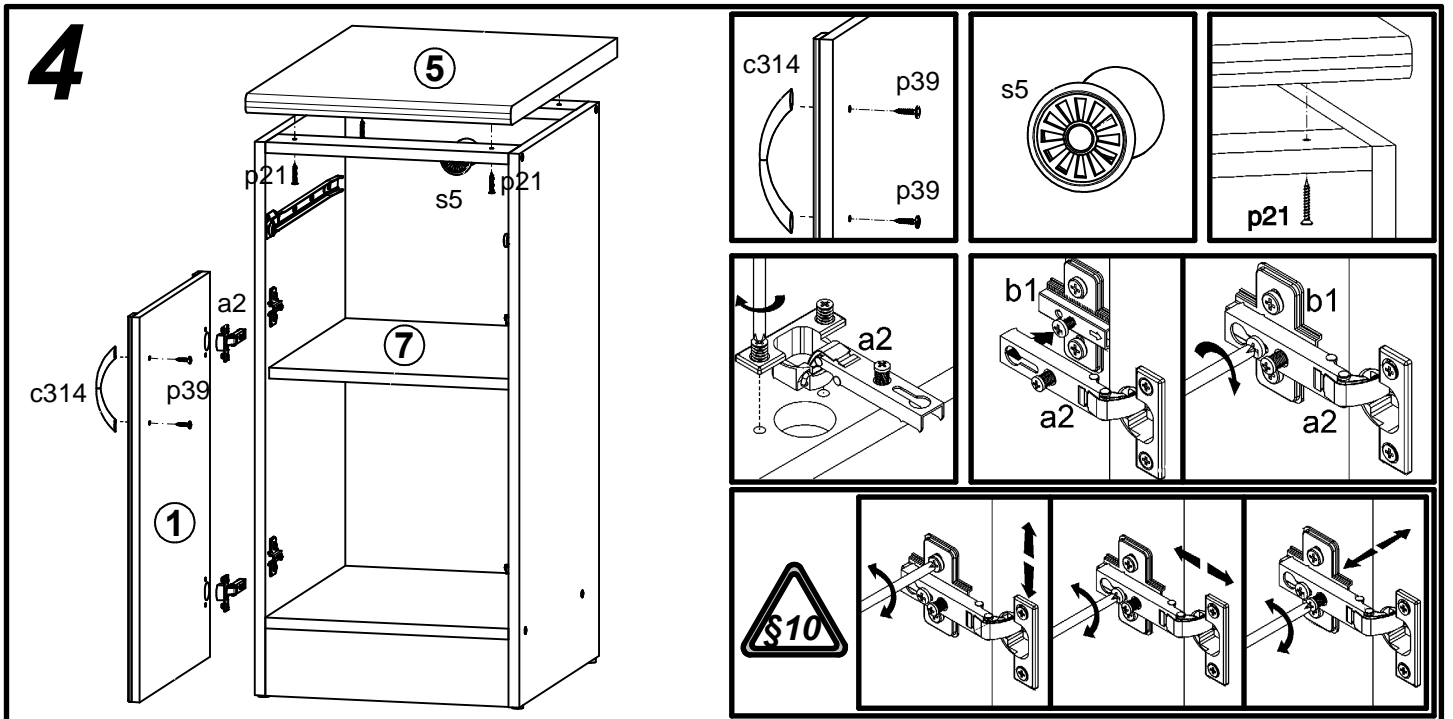
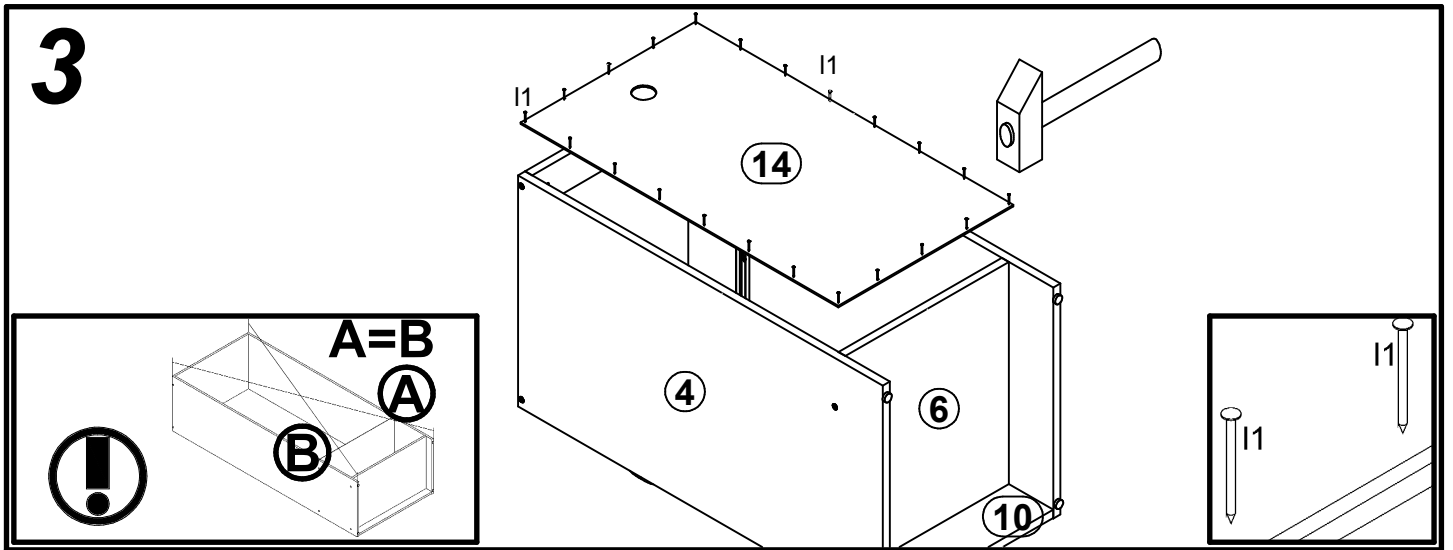


1



2

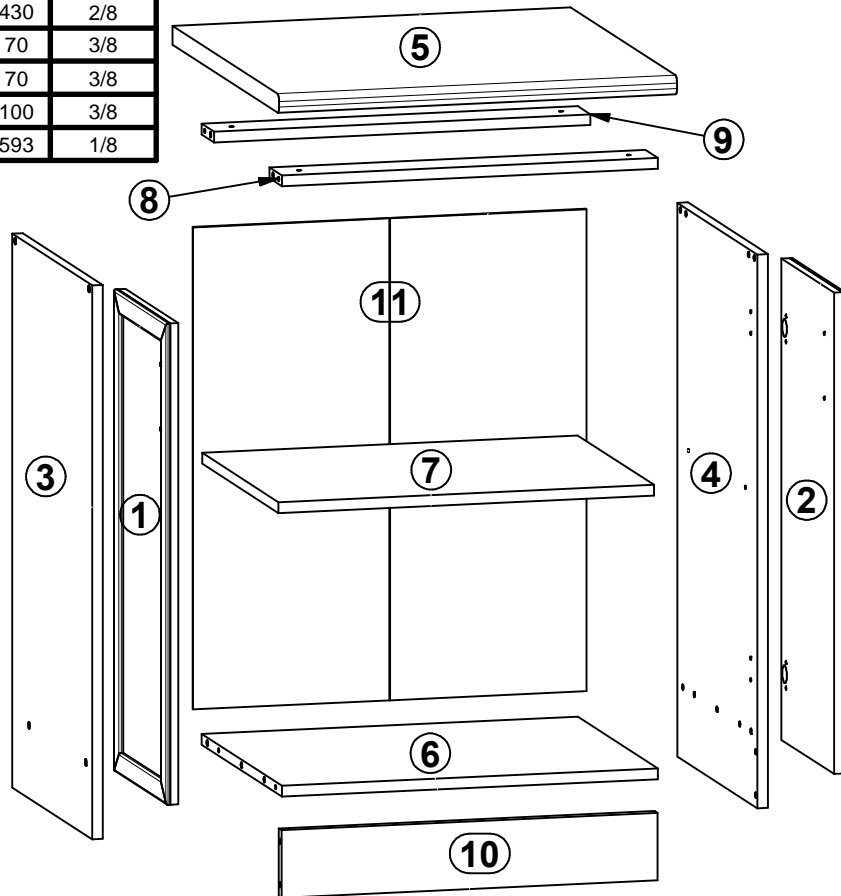
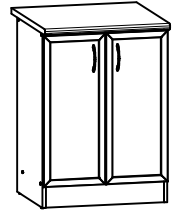




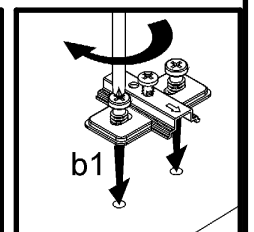
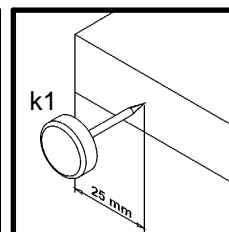
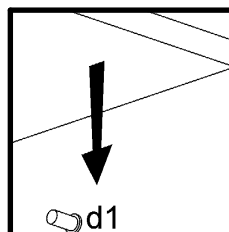
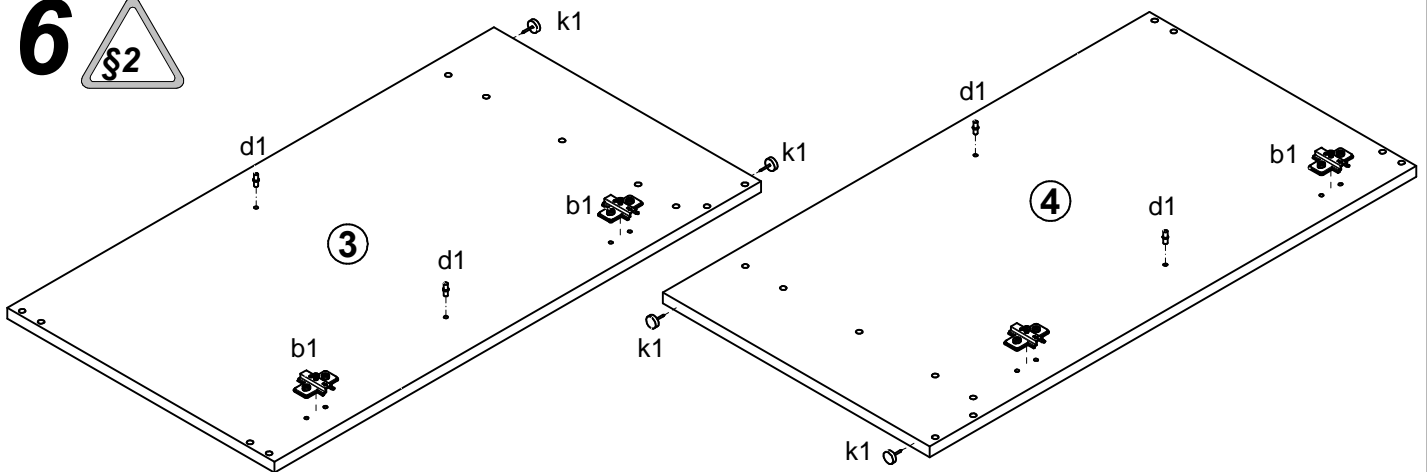
SONIA

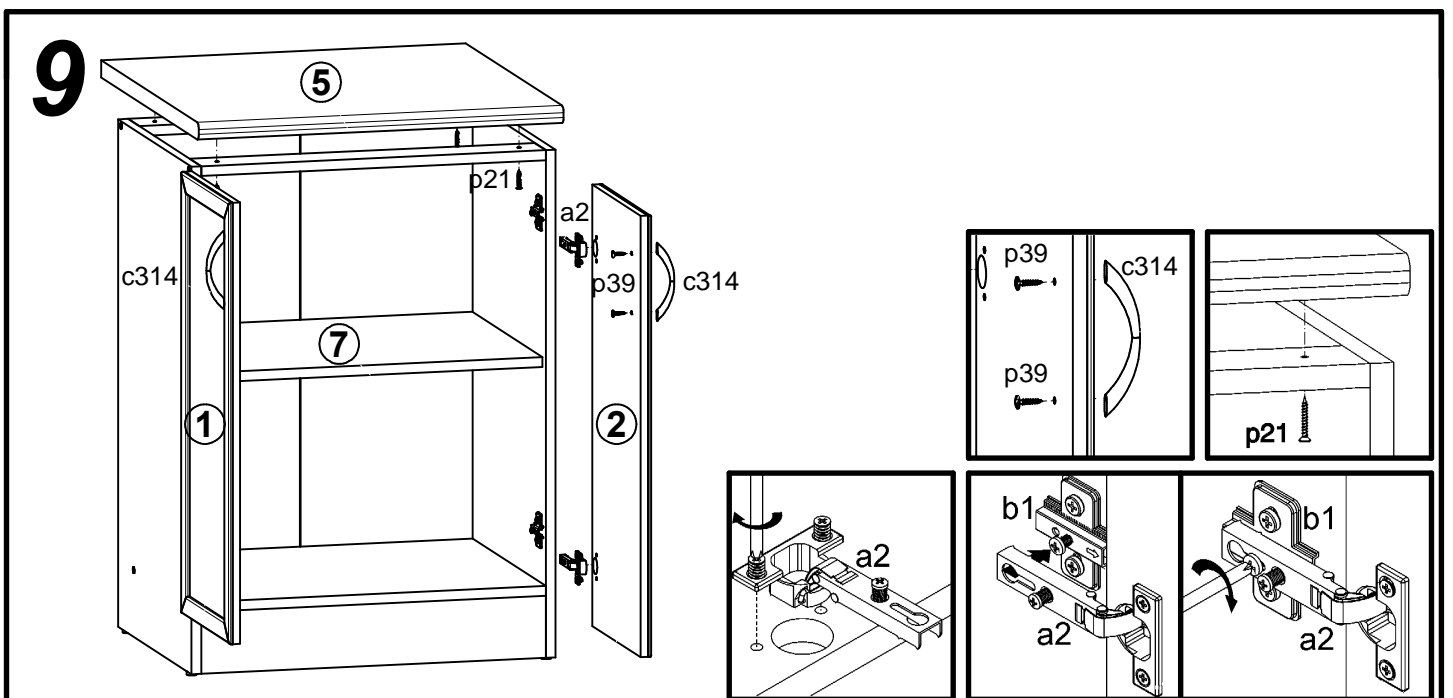
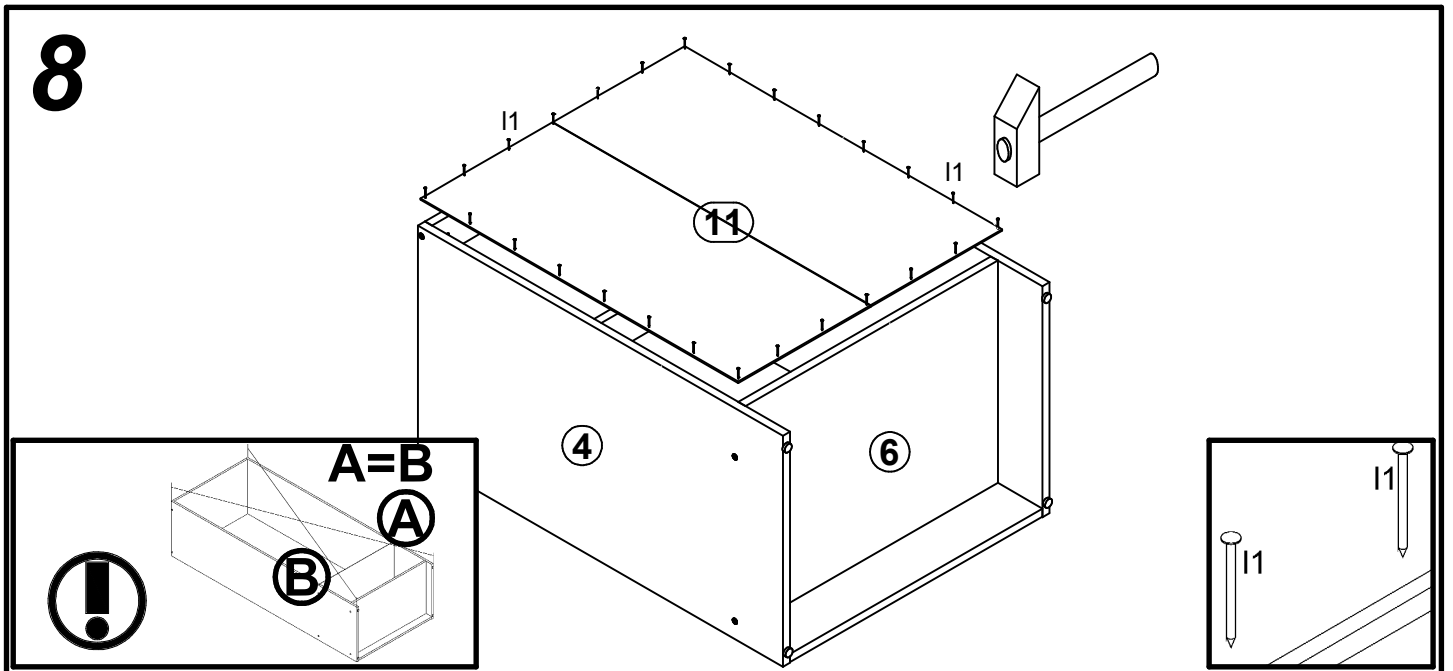
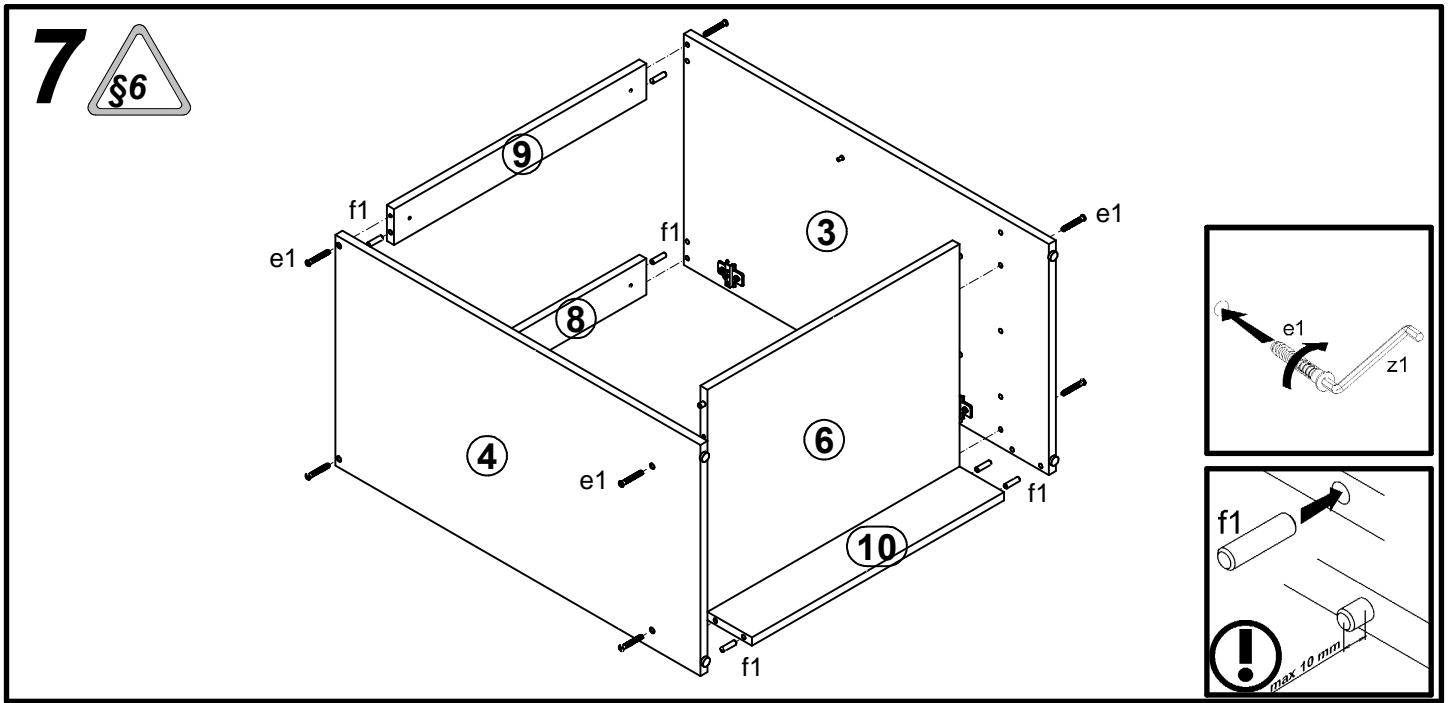
K13-KD2D/60/82

A	B	C	D	
1	K13-015	713	296	8/8
2	K13-019	713	296	8/8
3	K13-106	820	450	1/8
4	K13-107	820	450	1/8
5	K13-202	600	600	5/8
6	K13-311	567	450	2/8
7	K13-312	566	430	2/8
8	K13-404	567	70	3/8
9	K13-405	567	70	3/8
10	K13-406	567	100	3/8
11	K13-907	714	593	1/8

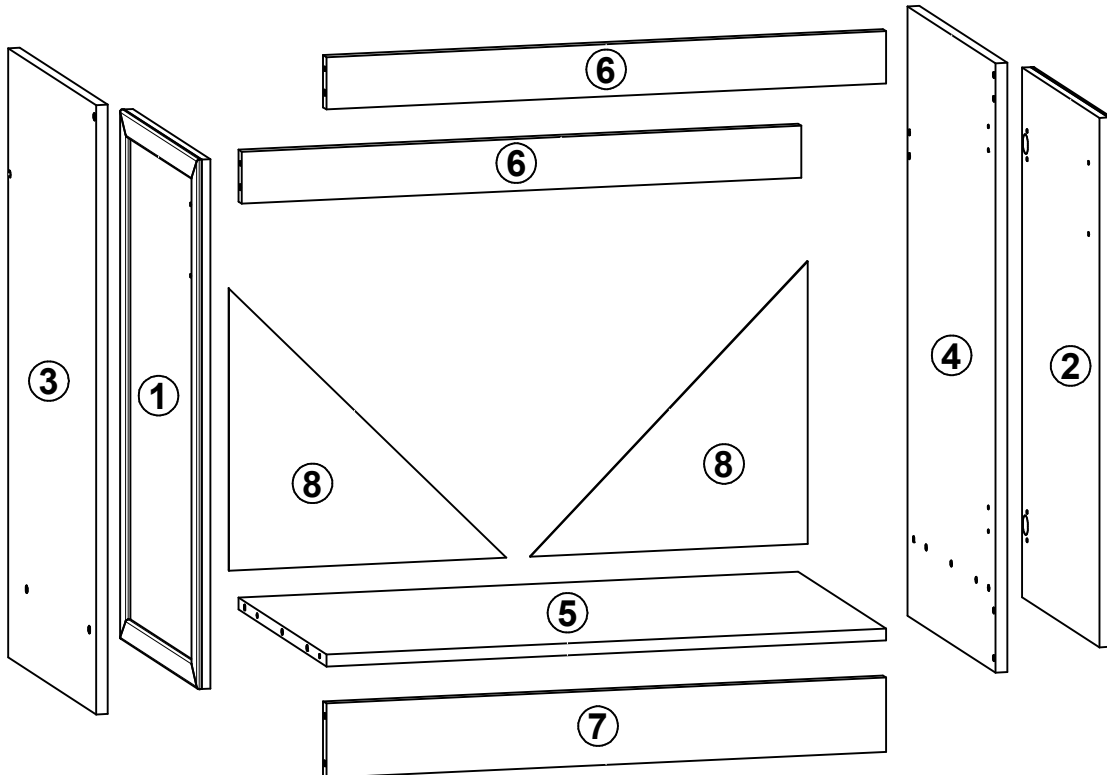
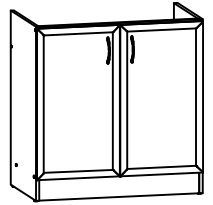


6

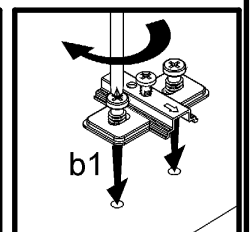
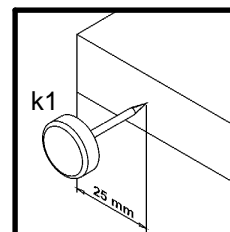
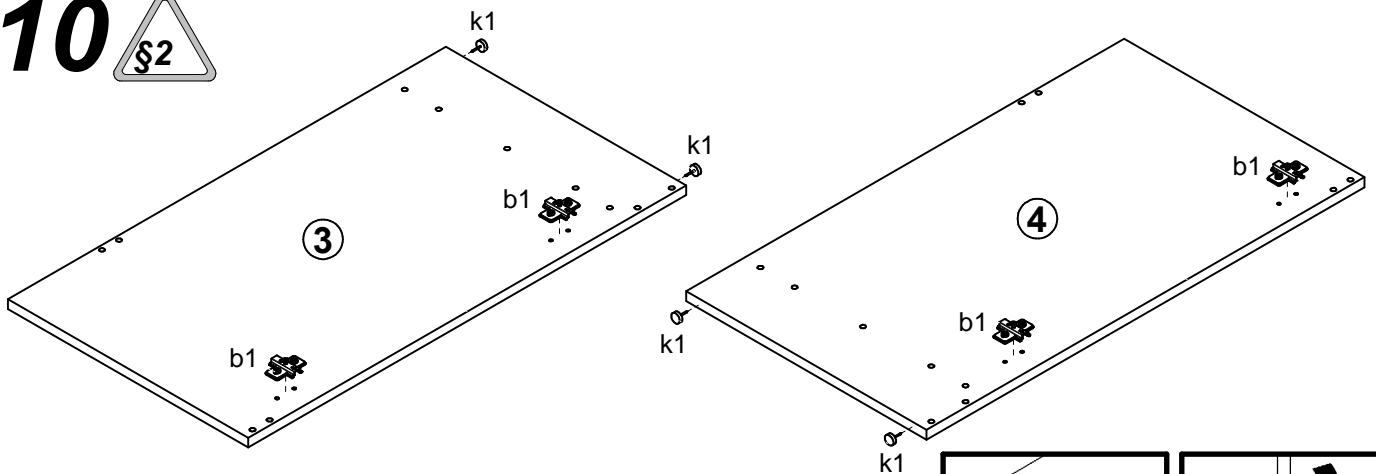




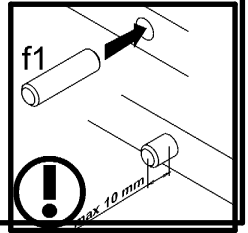
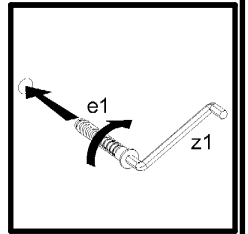
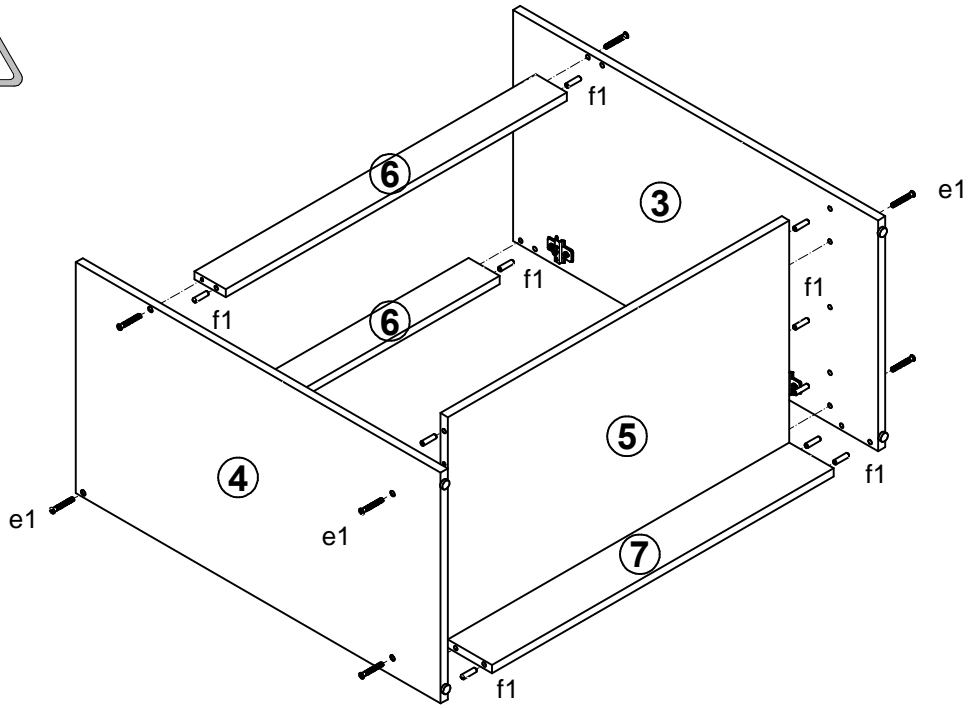
A	B	C	D
1	K13-016	713	396 7/8
2	K13-020	713	396 7/8
3	K13-108	820	450 1/8
4	K13-109	820	450 1/8
5	K13-313	767	450 2/8
6	K13-408	767	70 2/8
7	K13-409	767	100 2/8
8	K13-908	380	380 1/8



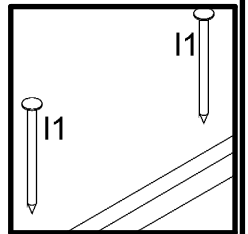
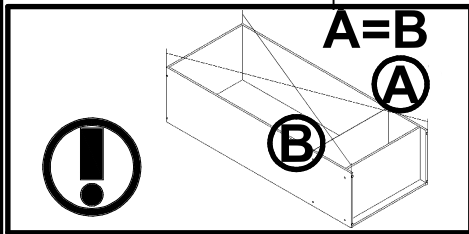
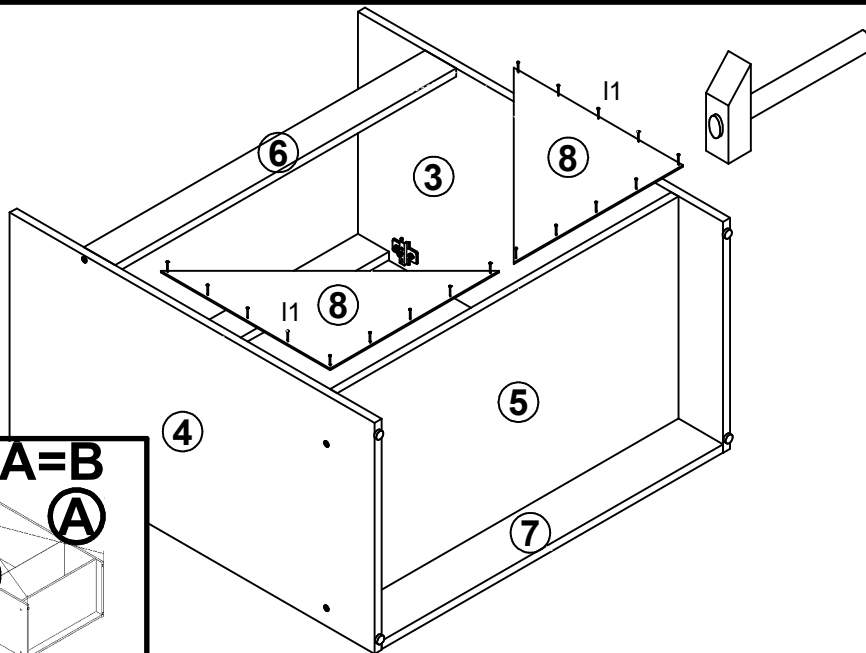
10



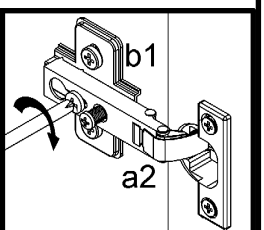
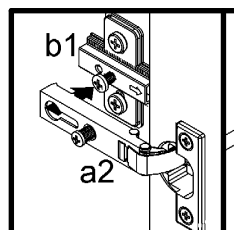
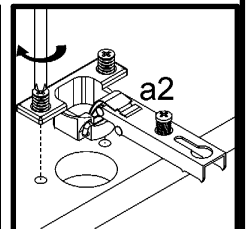
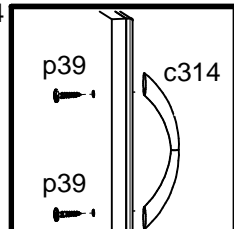
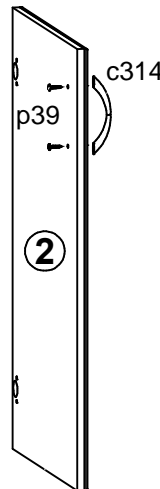
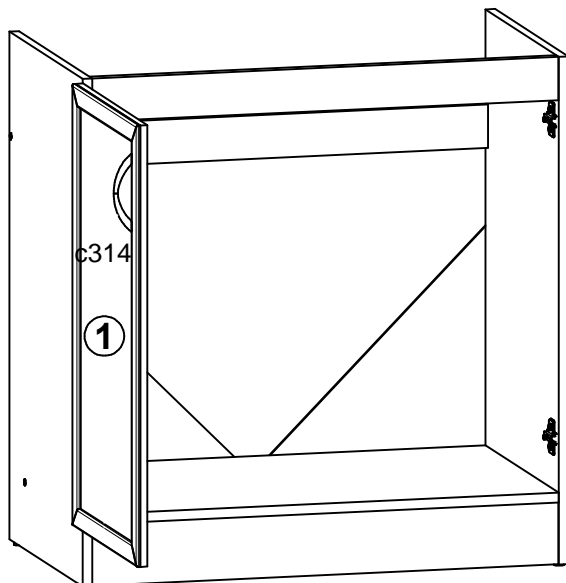
11



12



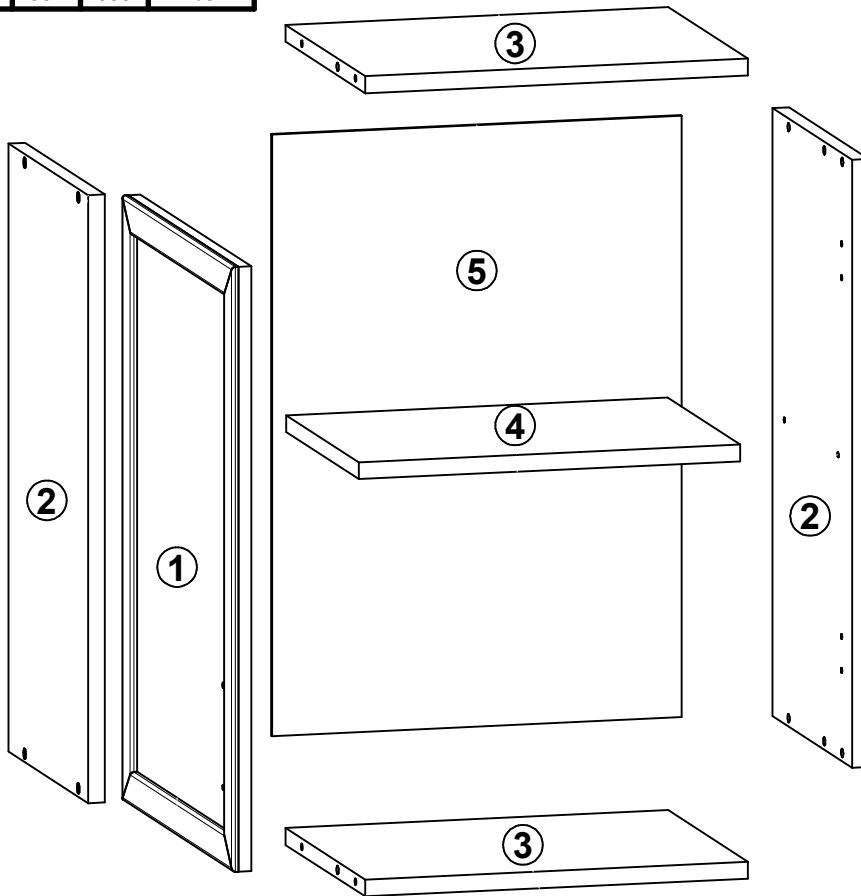
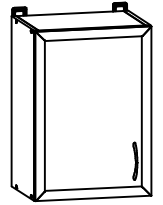
13



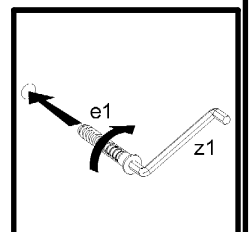
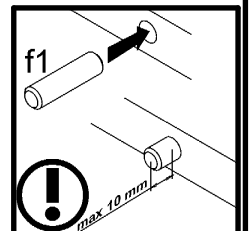
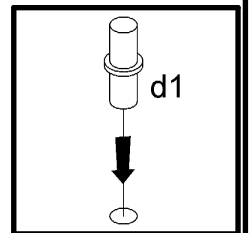
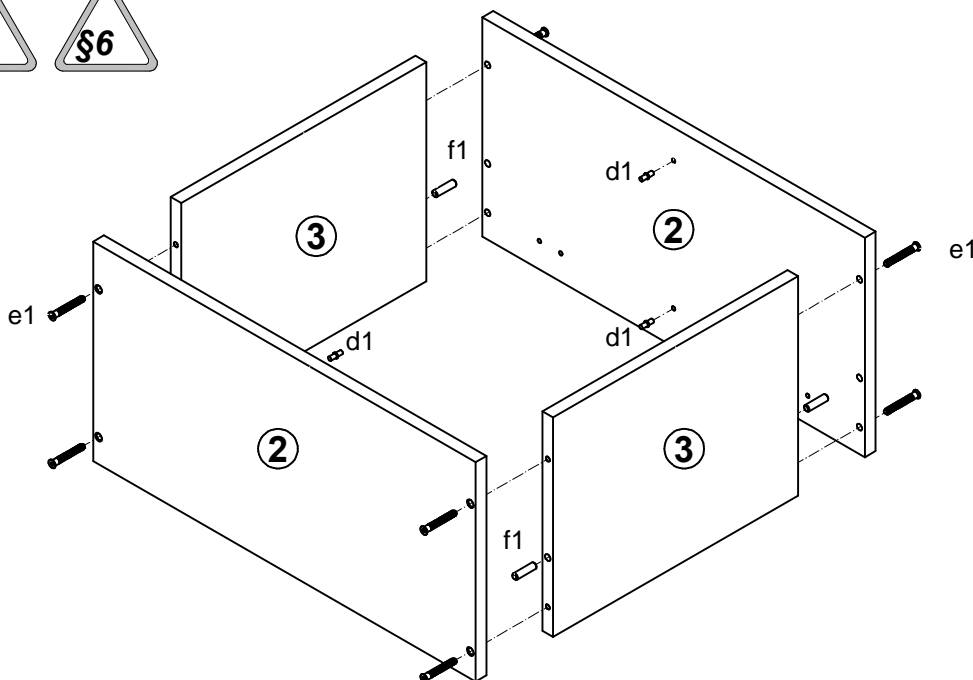
SONIA

K13-KG1D/40/57

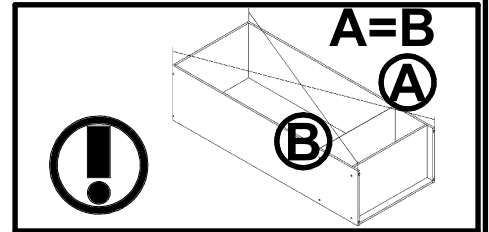
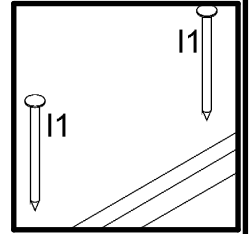
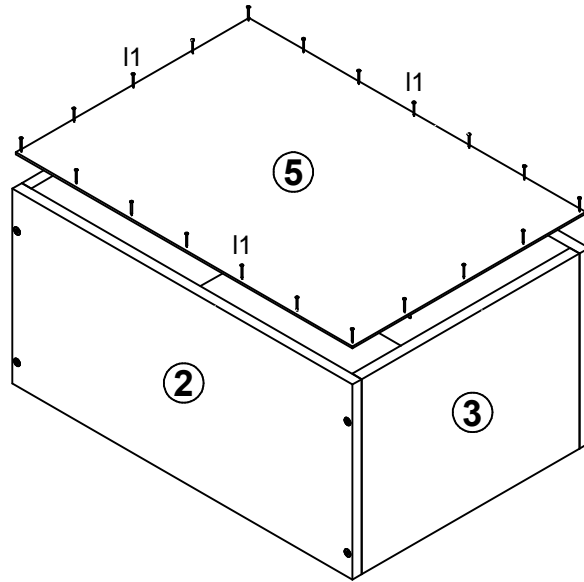
A	B	C	D	
1	K13-013	570	396	7/8
2	K13-101	573	285	3/8
3	K13-301	367	285	2/8
4	K13-302	366	260	2/8
5	K13-901	567	393	1/8



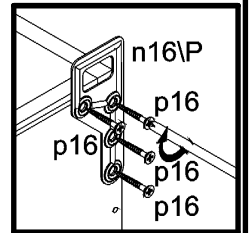
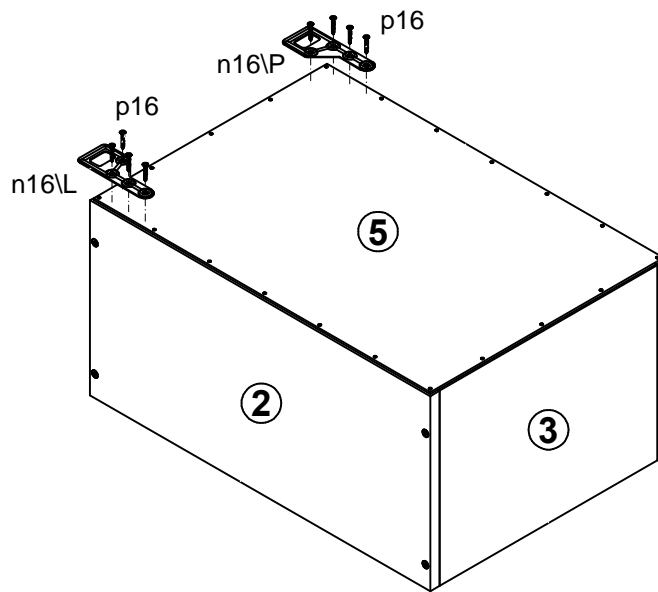
14



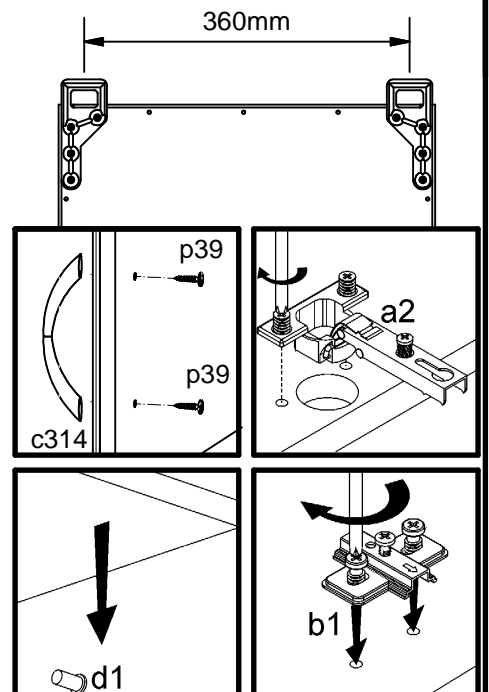
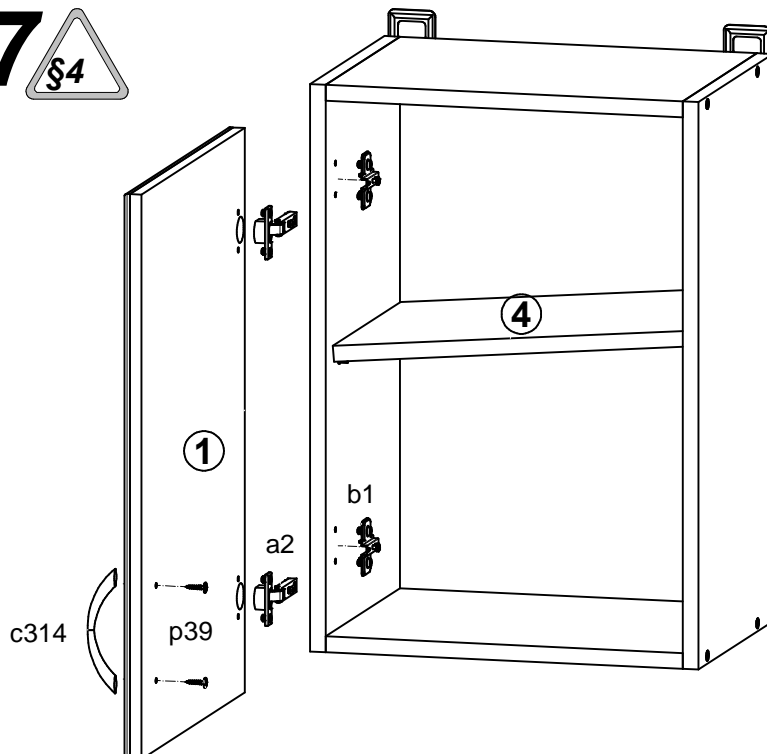
15



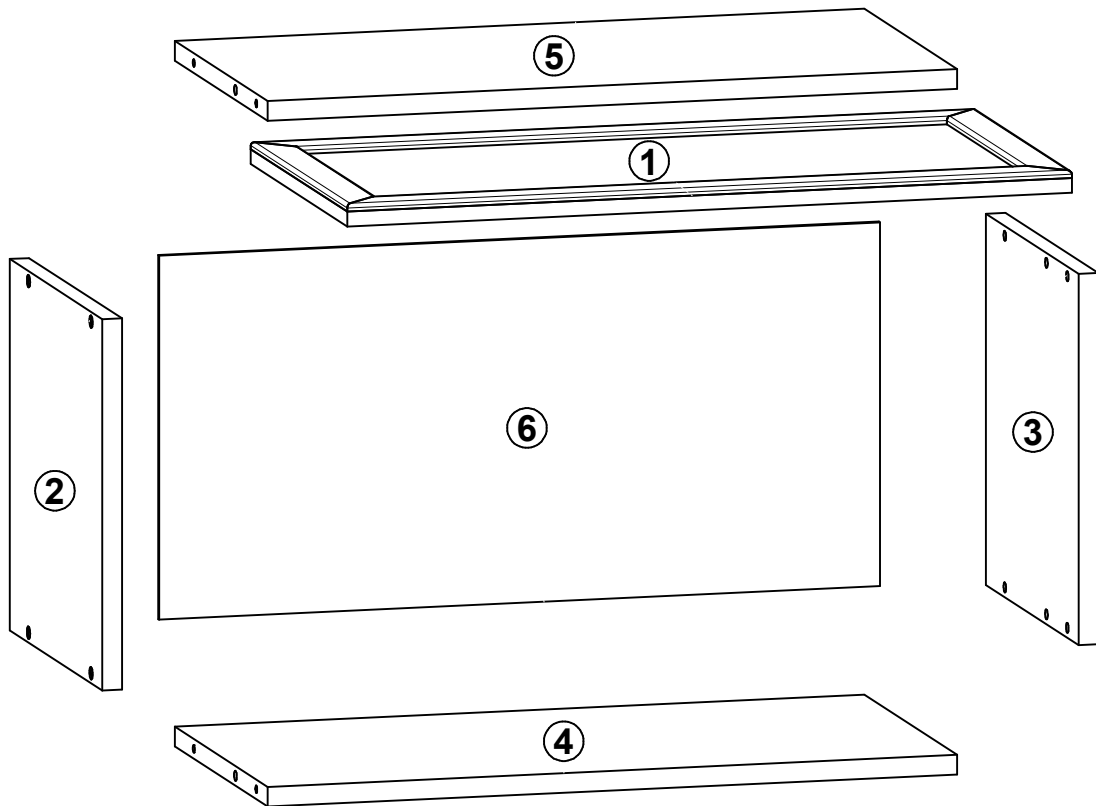
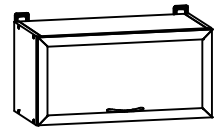
16



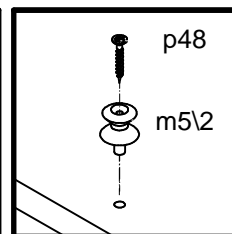
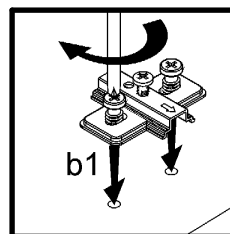
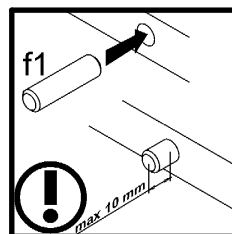
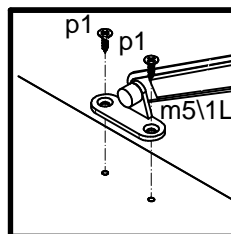
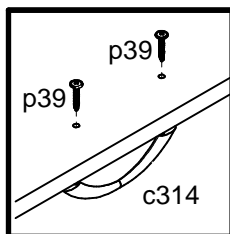
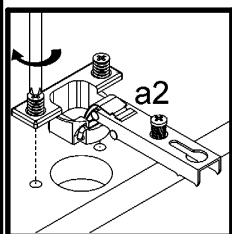
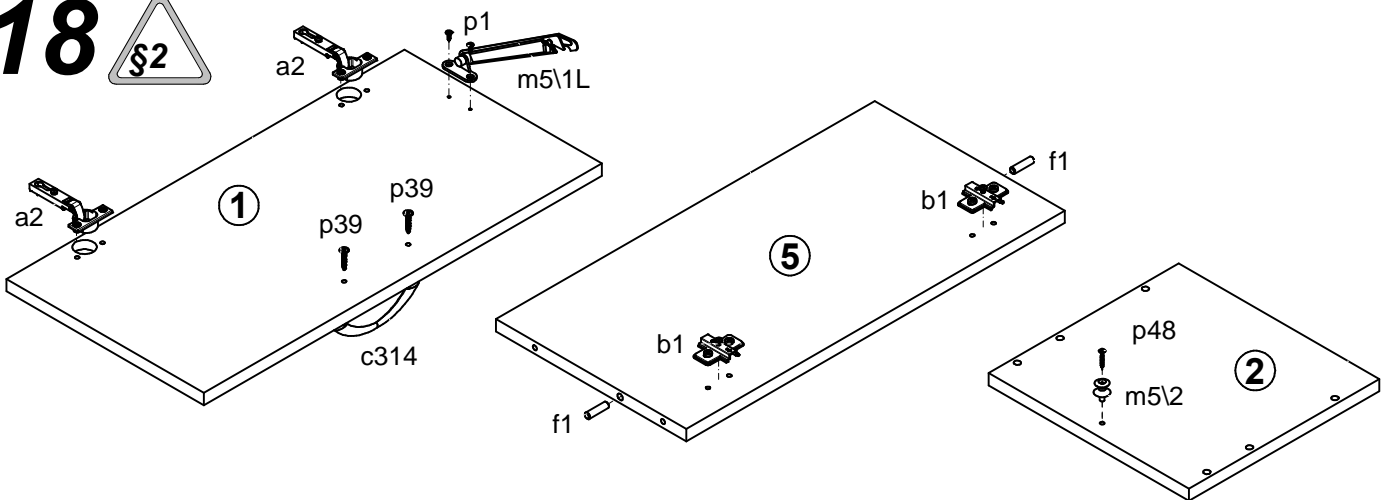
17



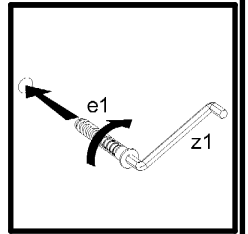
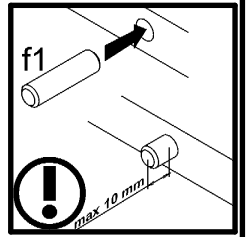
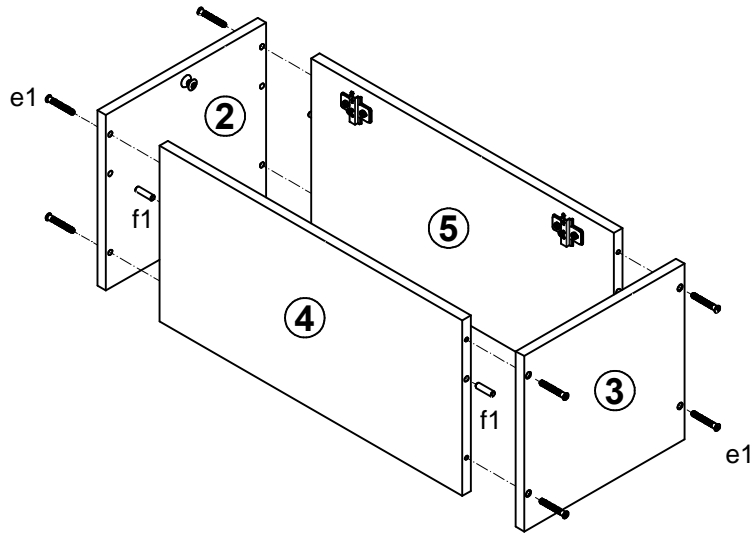
A	B	C	D
1	K13-021	296	596
2	K13-102	300	285
3	K13-103	300	285
4	K13-303	567	285
5	K13-307	567	285
6	K13-904	593	294



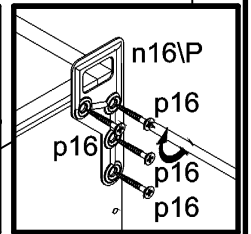
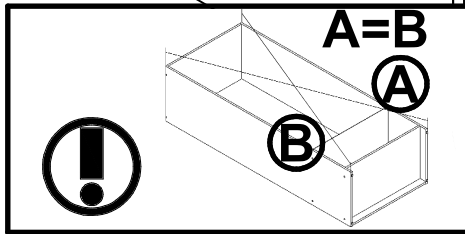
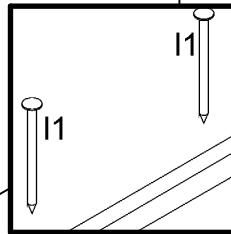
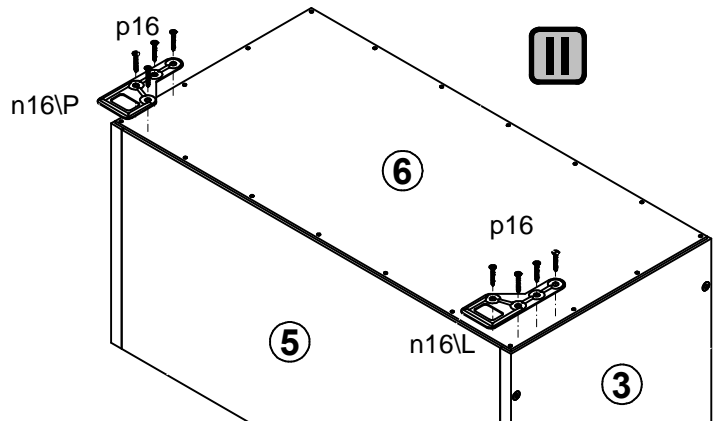
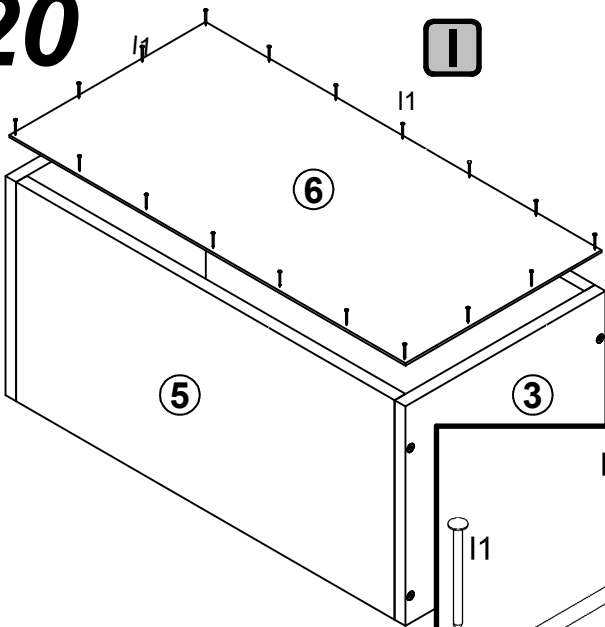
18



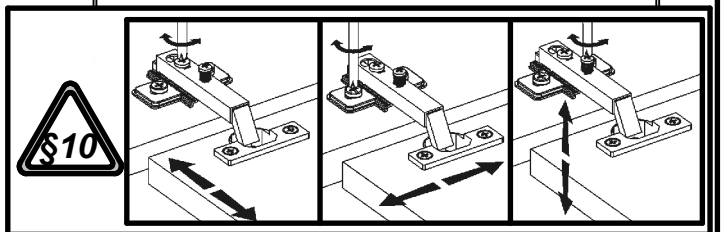
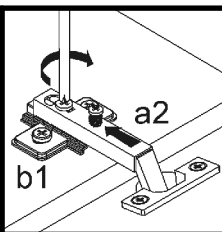
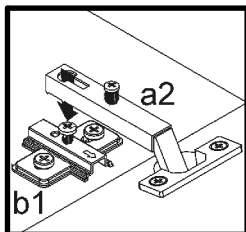
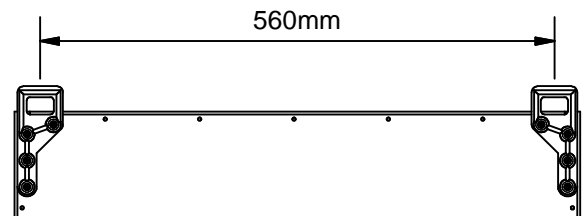
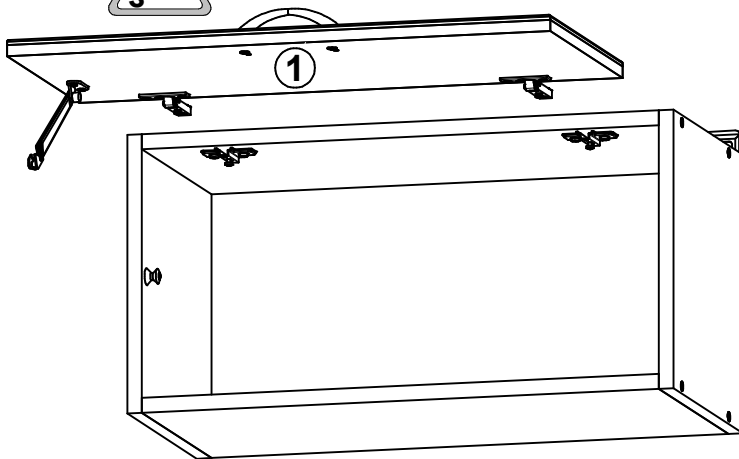
19



20



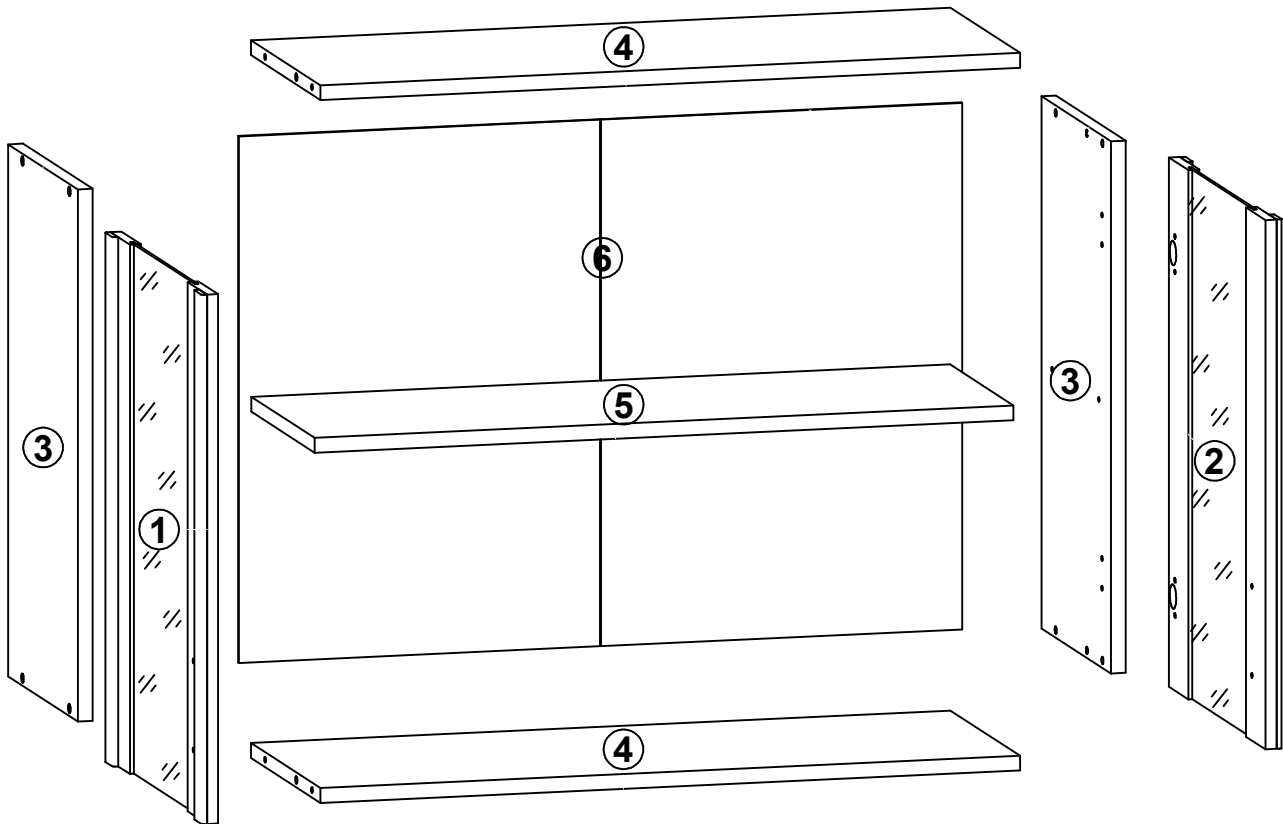
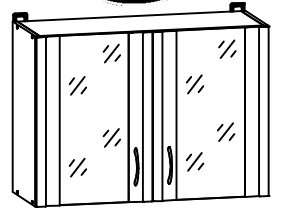
21



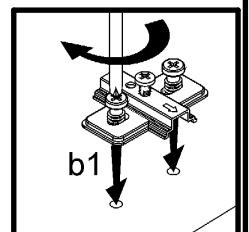
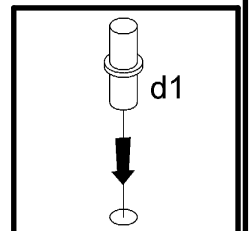
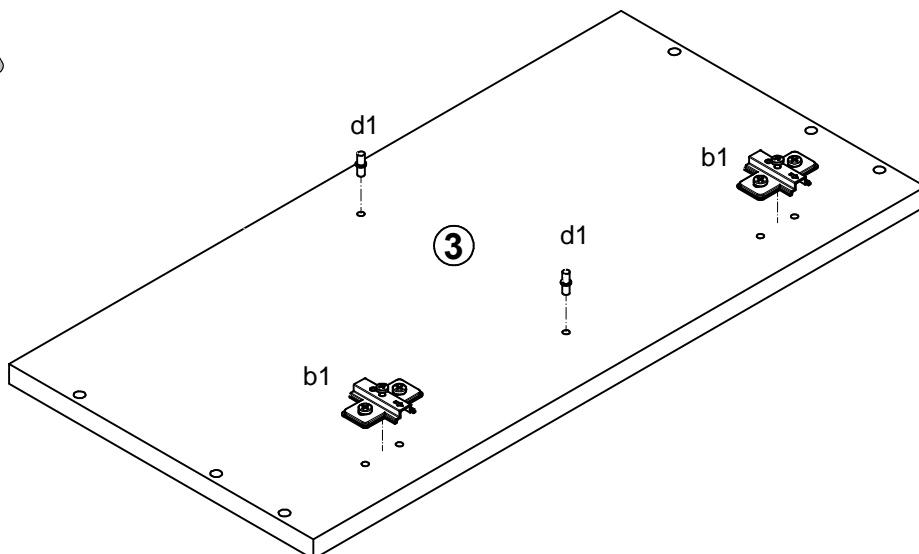
SONIA

K13-KG2W/80/57

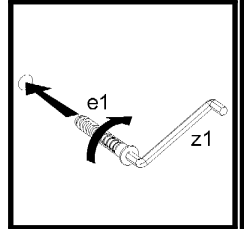
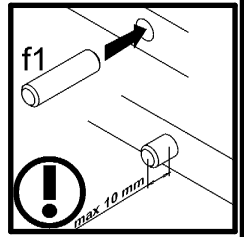
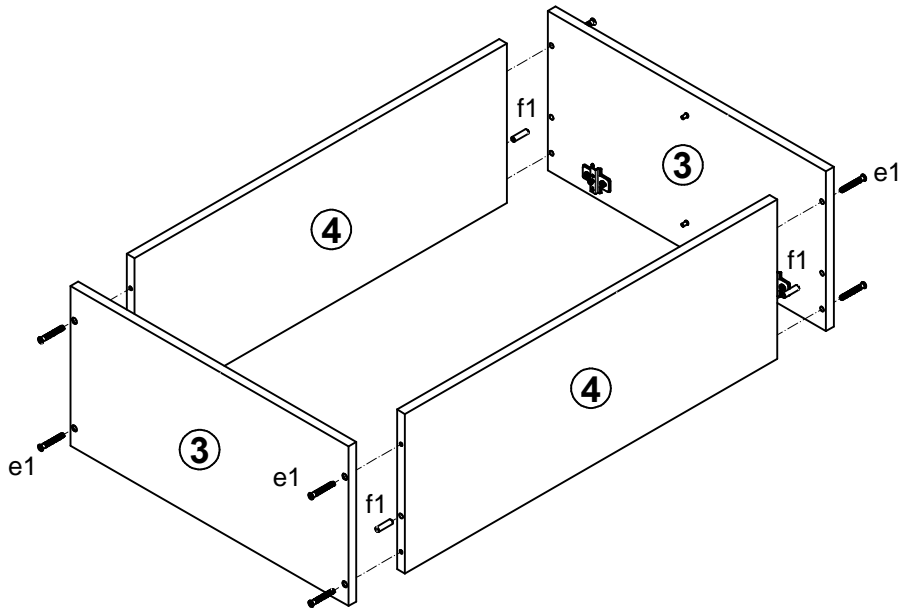
A	B	C	D
1	K13-023	570	396 7/8
2	K13-024	570	396 7/8
3	K13-101	573	285 3/8
4	K13-305	767	285 4/8
5	K13-306	766	260 4/8
6	K13-903	567	793 1/8



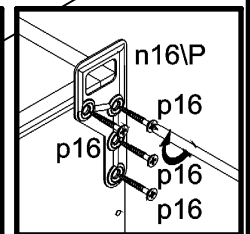
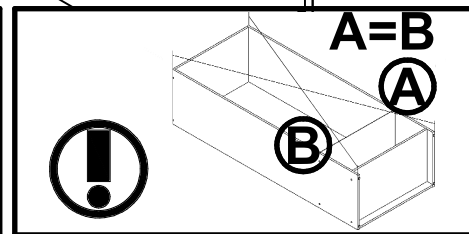
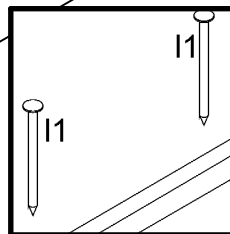
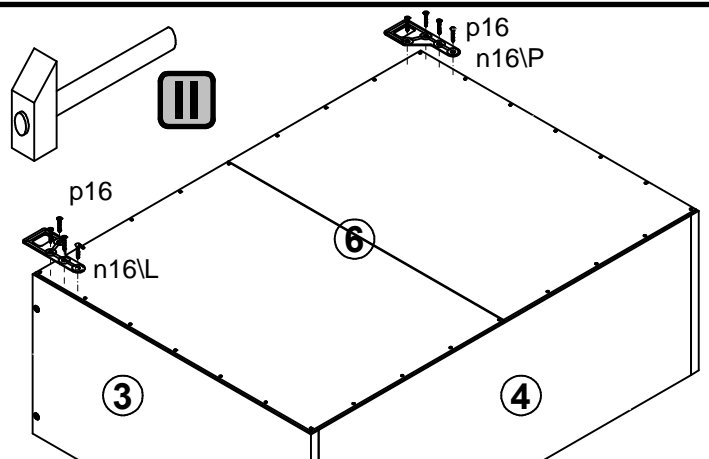
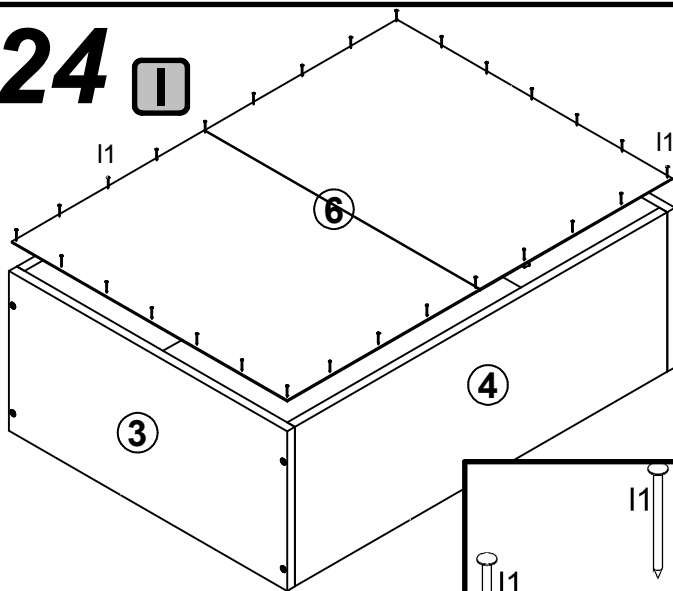
22



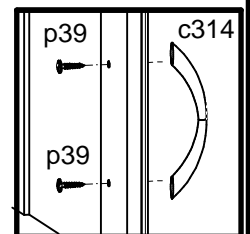
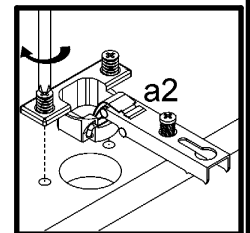
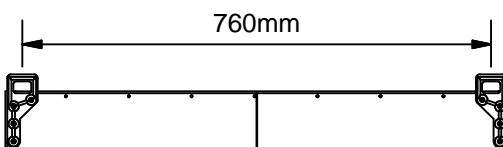
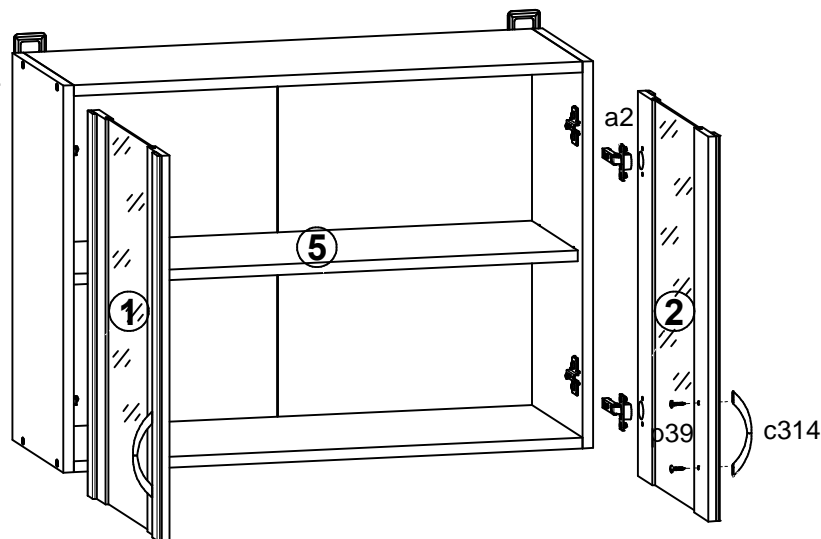
23



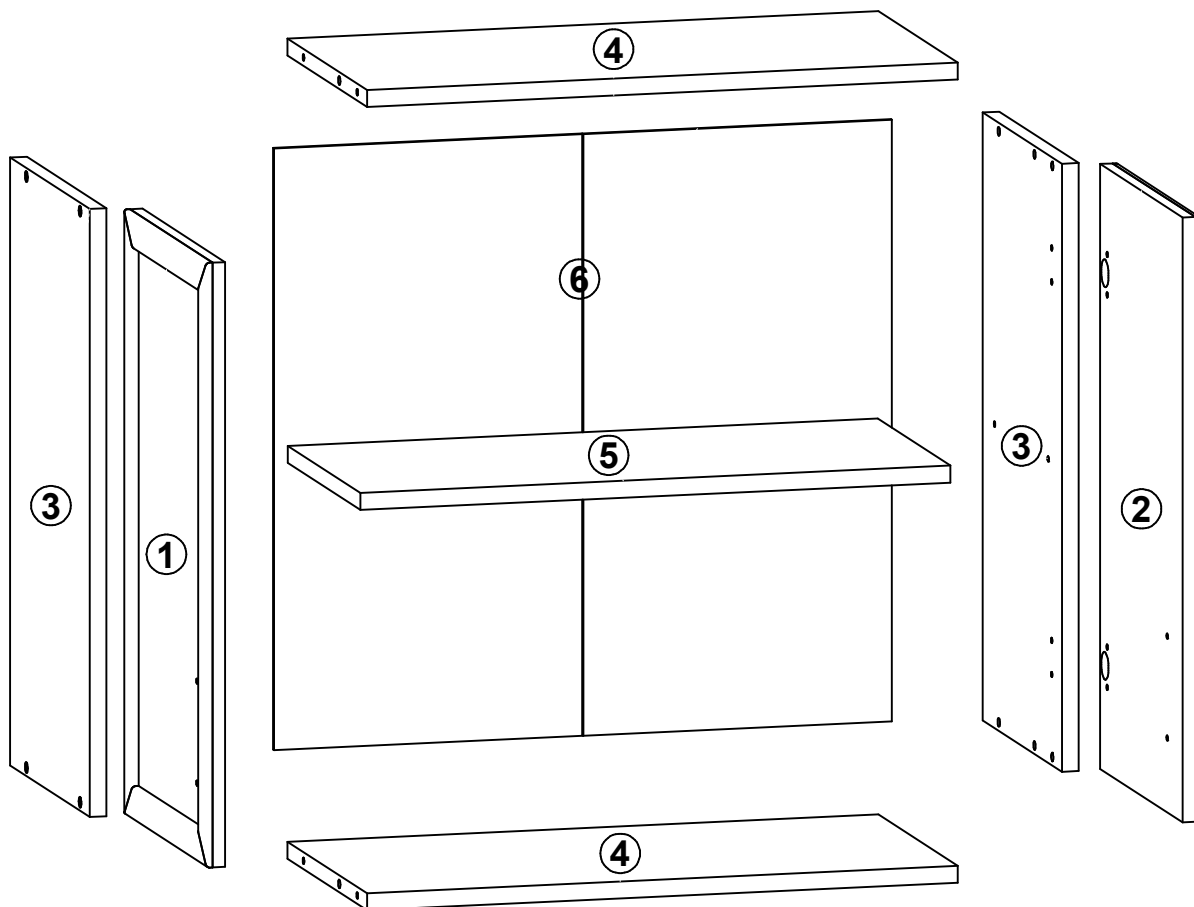
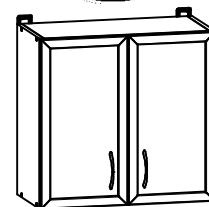
24



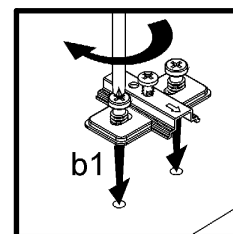
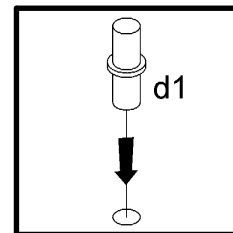
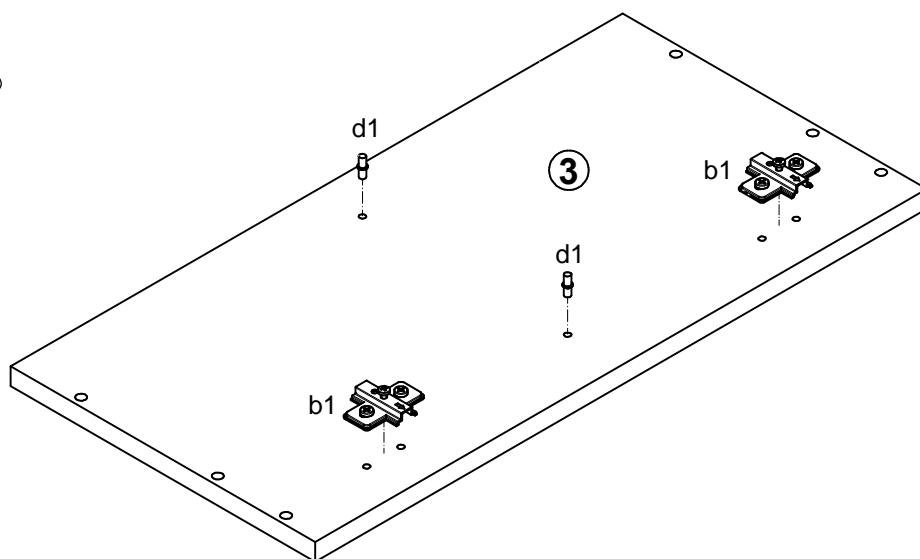
25



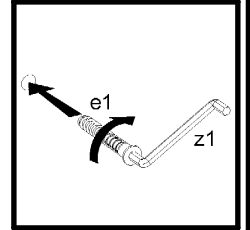
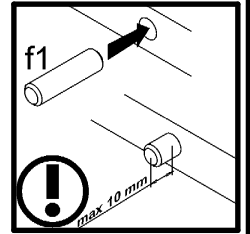
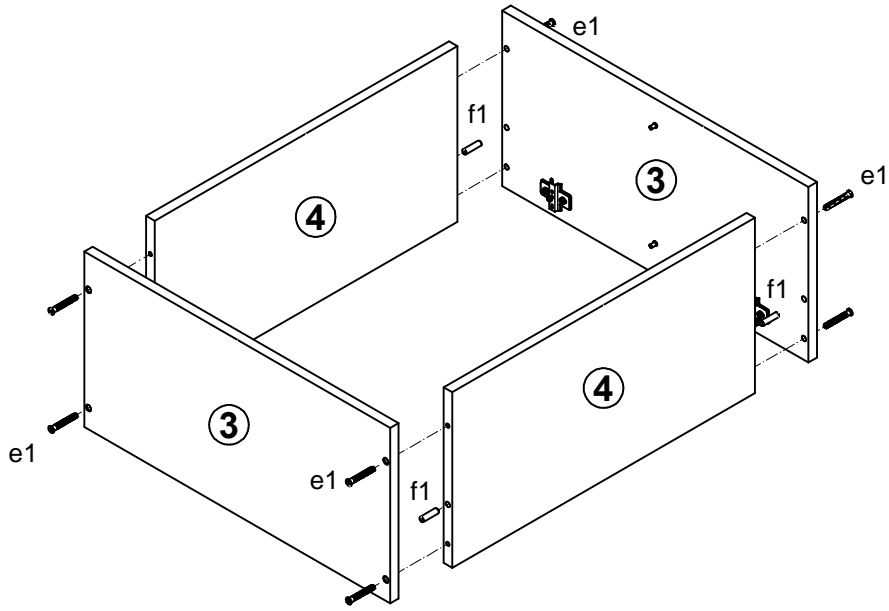
A	B	C	D
1	K13-014	570	296
2	K13-018	570	296
3	K13-101	573	285
4	K13-303	567	285
5	K13-304	566	260
6	K13-902	567	593



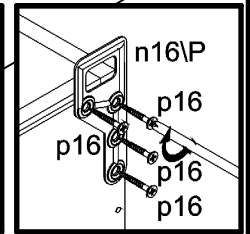
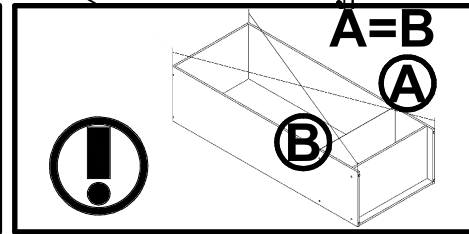
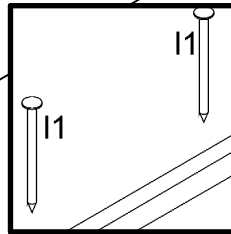
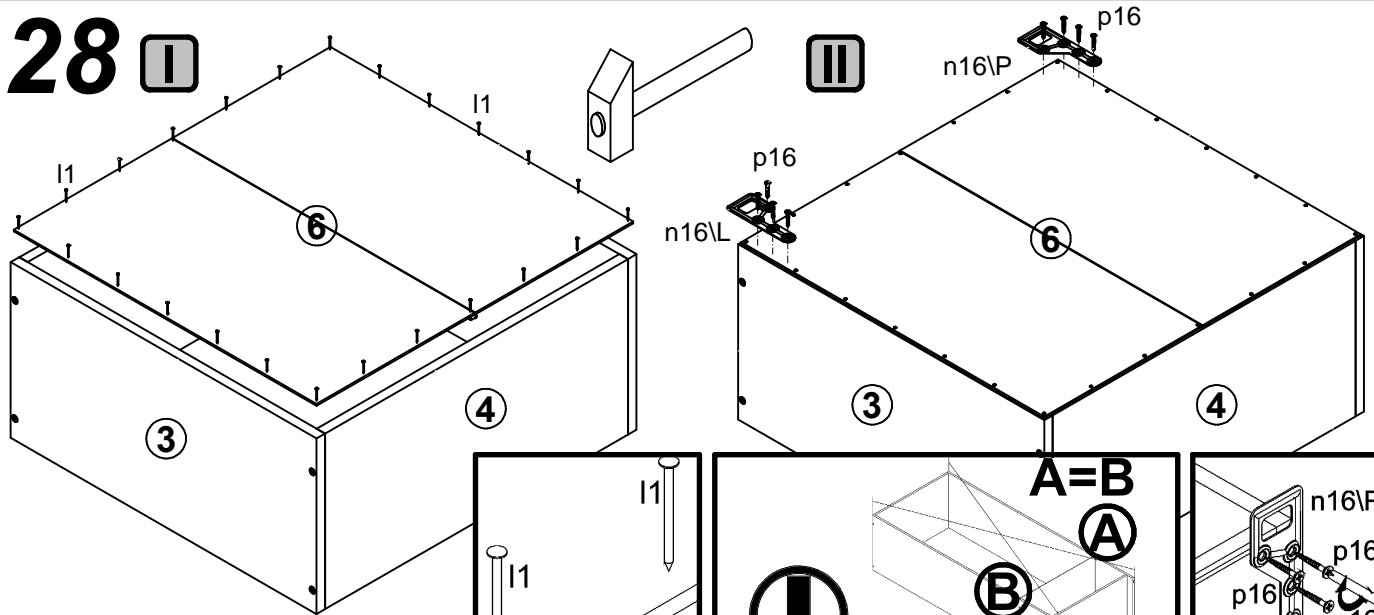
26



27



28



29

