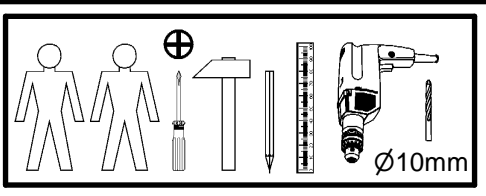
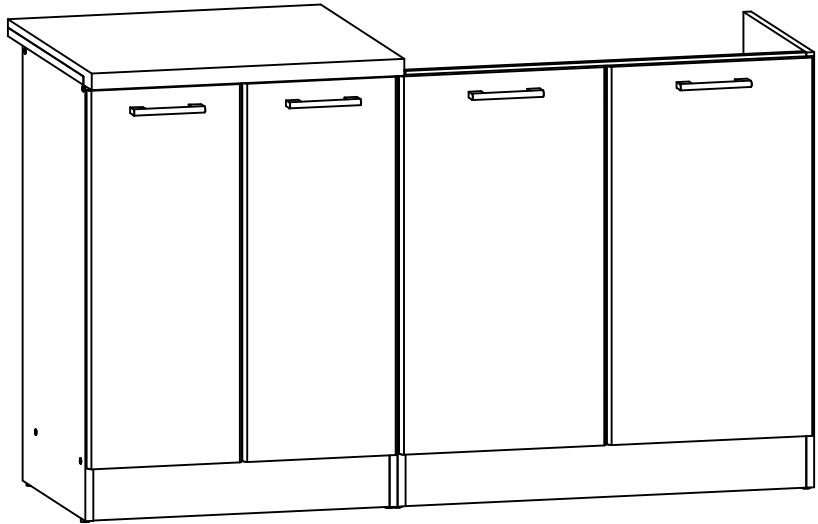
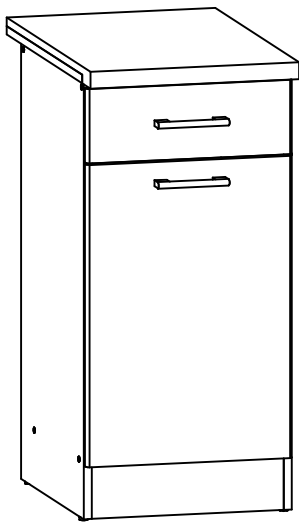
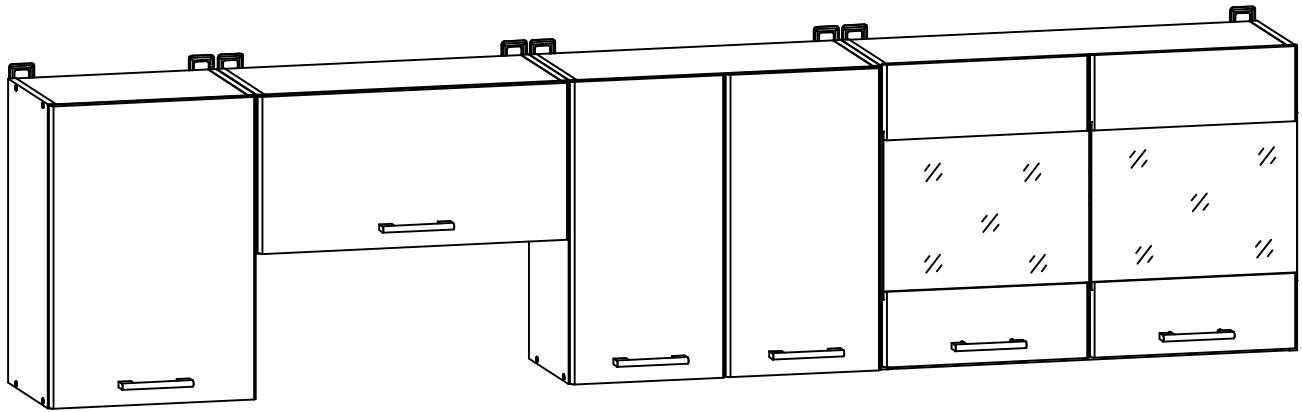
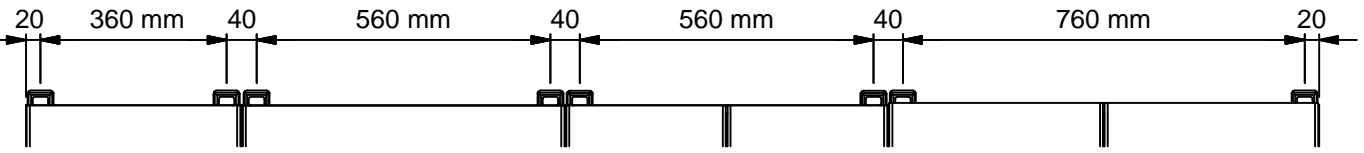


SONIA

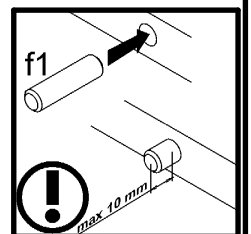
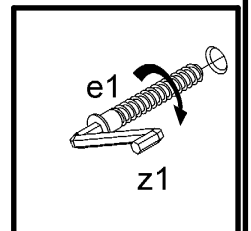
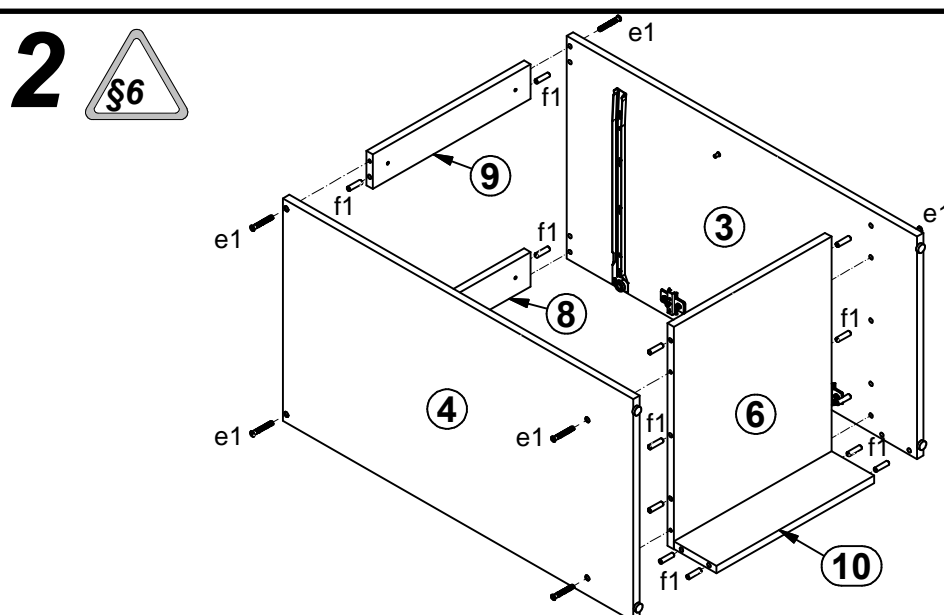
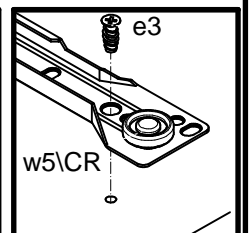
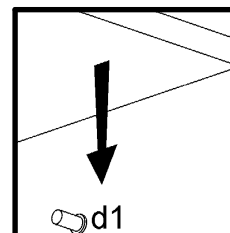
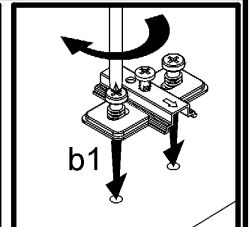
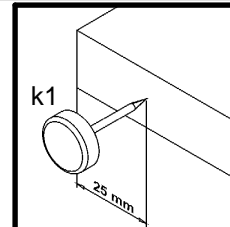
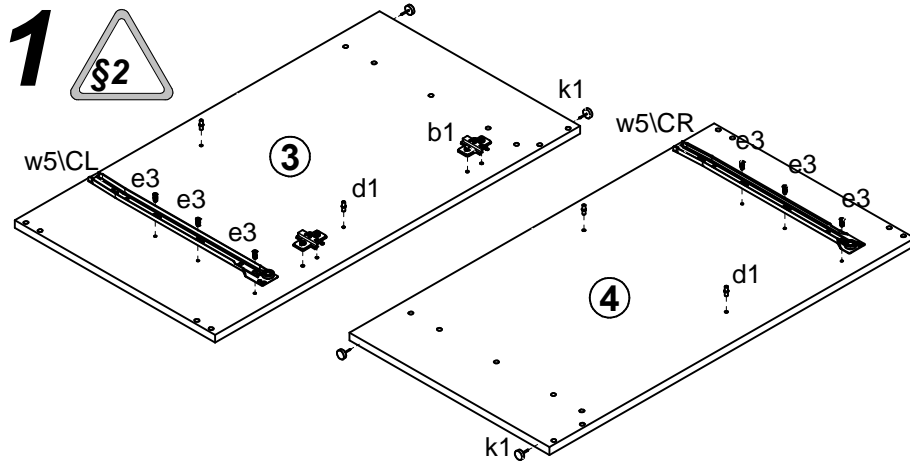
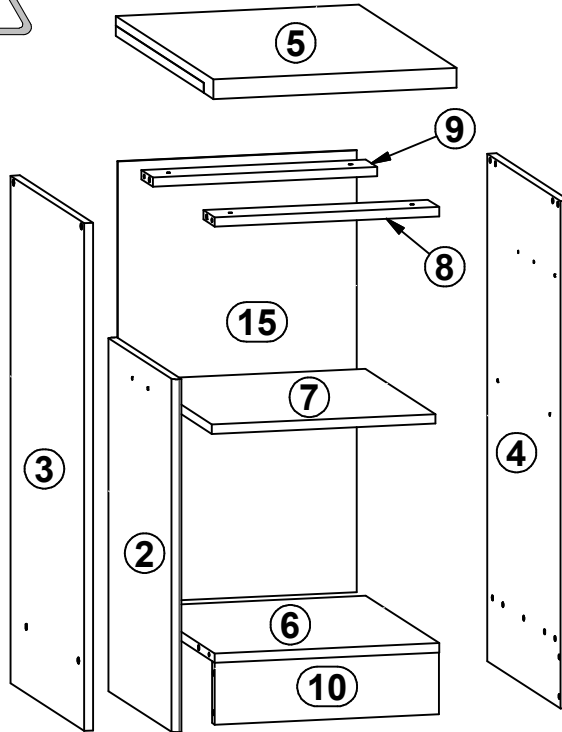
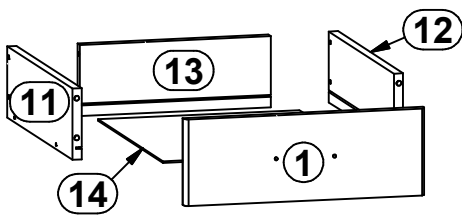
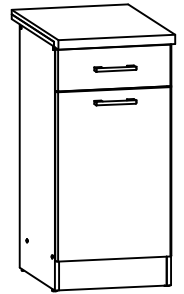


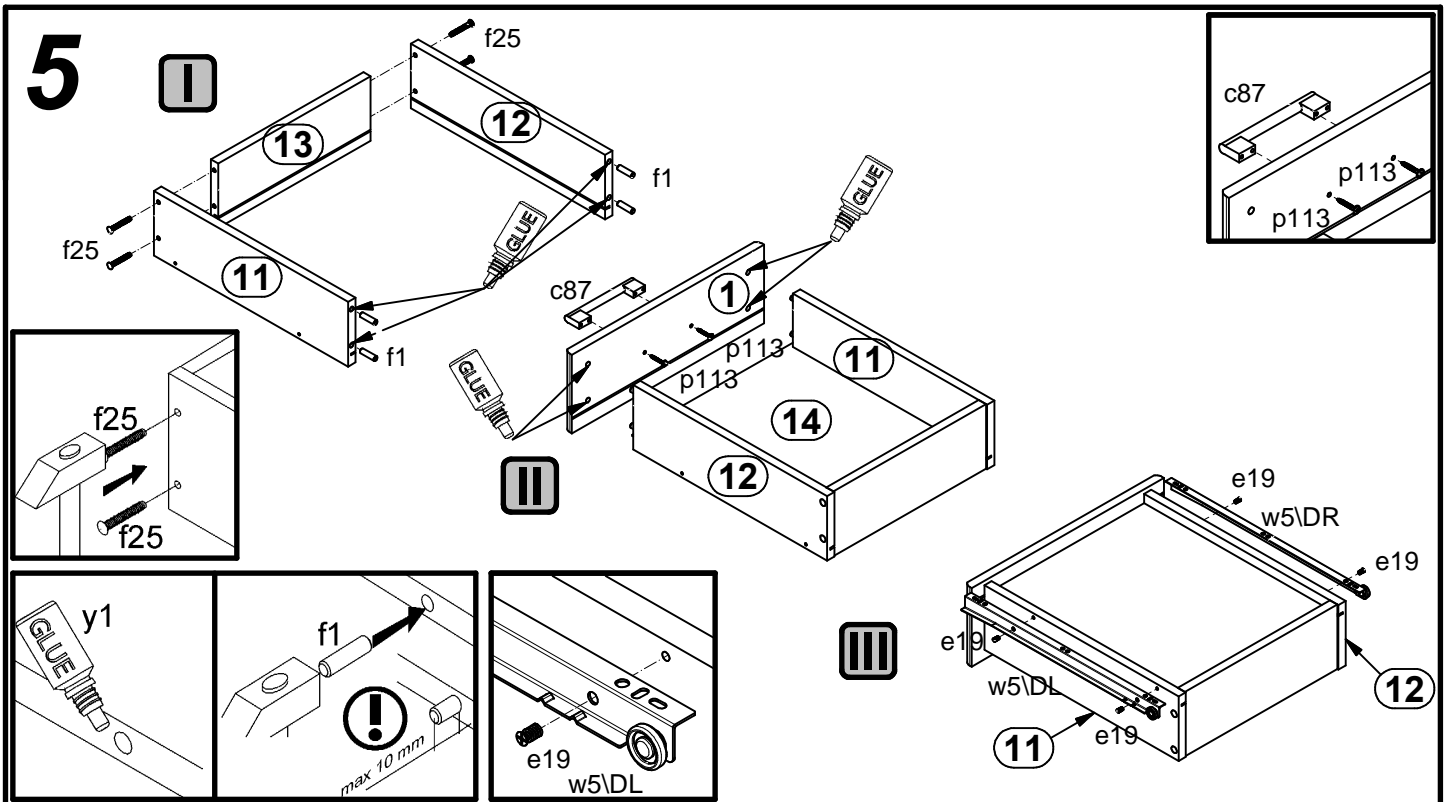
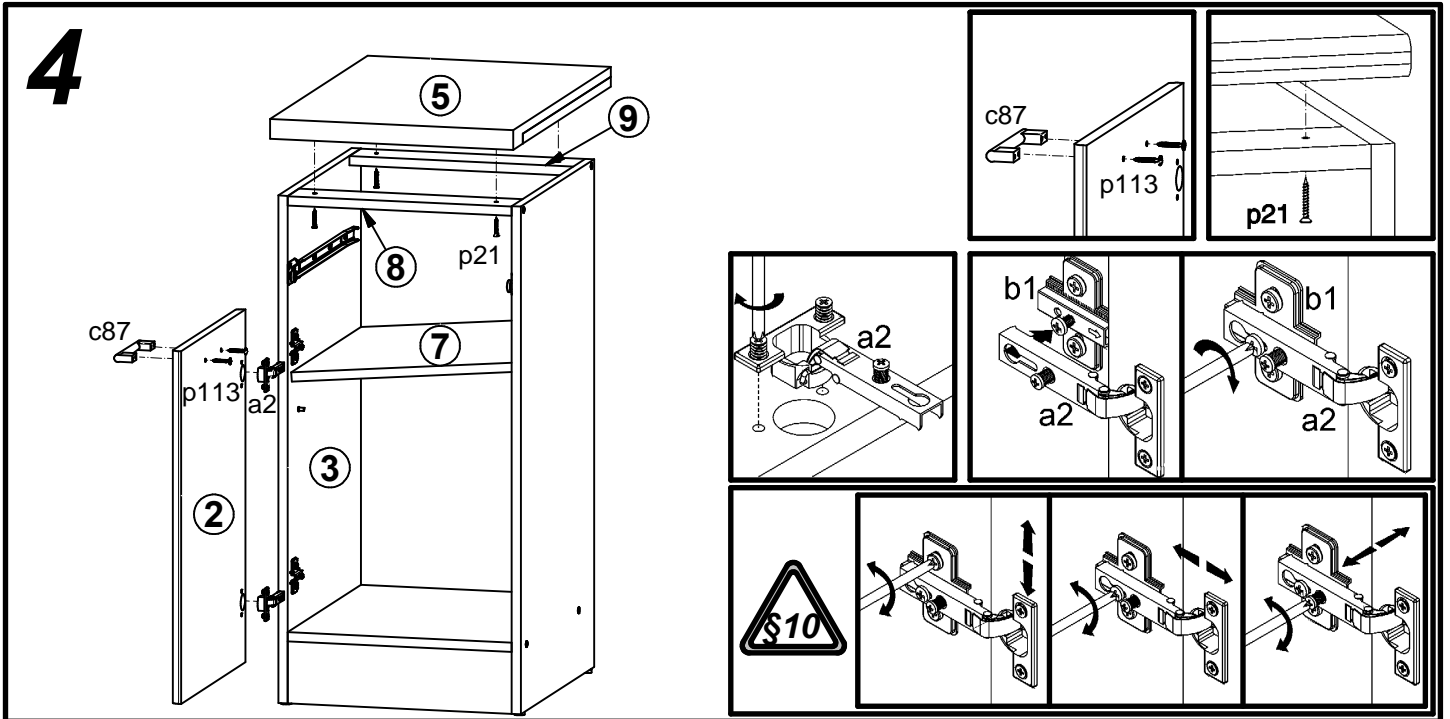
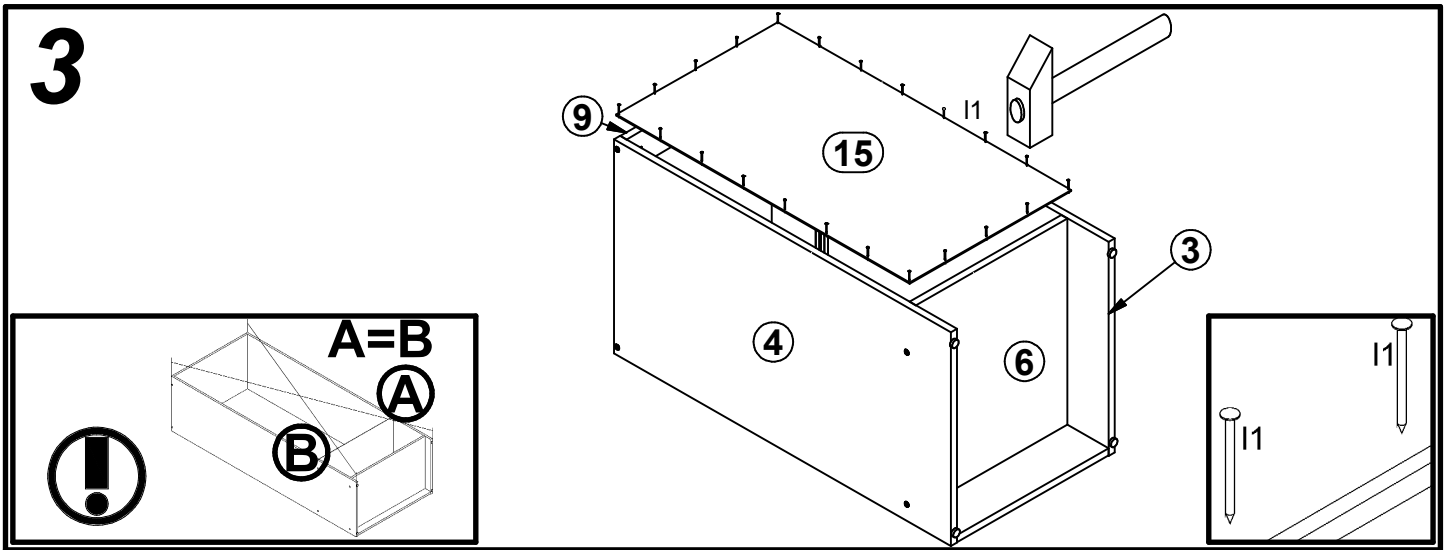
22x a2	22x b1	12x c87	20x φ8x17 mm d1	56x φ7x50 mm e1	4x φ5x9 mm e19	6x φ6x13 mm e3	62x φ8x30 mm f1	4x φ6.5x40 mm f25
8 φ10x50 mm f35	12x k1	160x l1	1x m5\1L	1x m5\2	4x n16\L	4x n16\P	2x φ3.5x13 mm p1	32x φ3.5x25 mm p16
1x φ3x25 mm p48	8x φ5x60 mm p75	24x φ4x28 mm p113	8x φ4x30 mm p21	1x 400 mm w5\CL	1x 400 mm w5\CR	1x 400 mm w5\DL	1x 400 mm w5\DR	20x s1
1x GLUE y1	1x z1							

SONIA

K15-KD1D1S/40/82

A	B	C	D	
1	K15-001	396	140	7/8
2	K15-002	396	570	7/8
3	K15-104	820	450	1/8
4	K15-105	820	450	1/8
5	K15-201	400	600	5/8
6	K15-309	369	450	2/8
7	K15-310	368	430	2/8
8	K15-401	369	70	2/8
9	K15-402	369	70	2/8
10	K15-403	369	100	2/8
11	K15-501	400	115	2/8
12	K15-502	400	115	2/8
13	K15-503	314	115	2/8
14	K15-901	398	331	1/8
15	K15-902	714	393	1/8

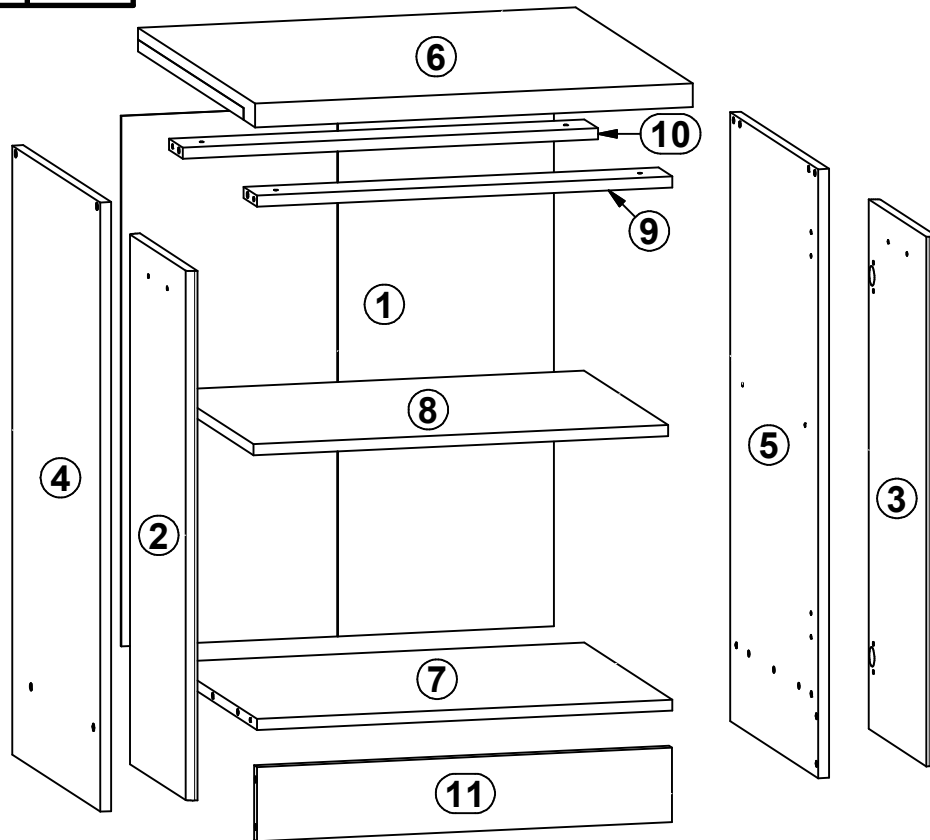
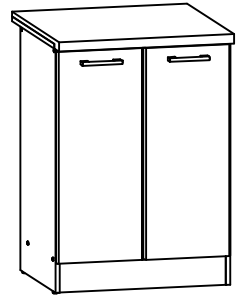




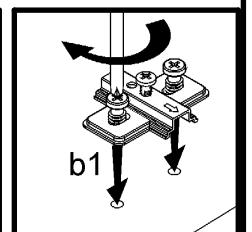
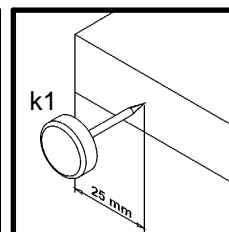
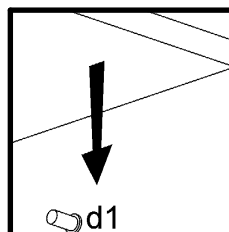
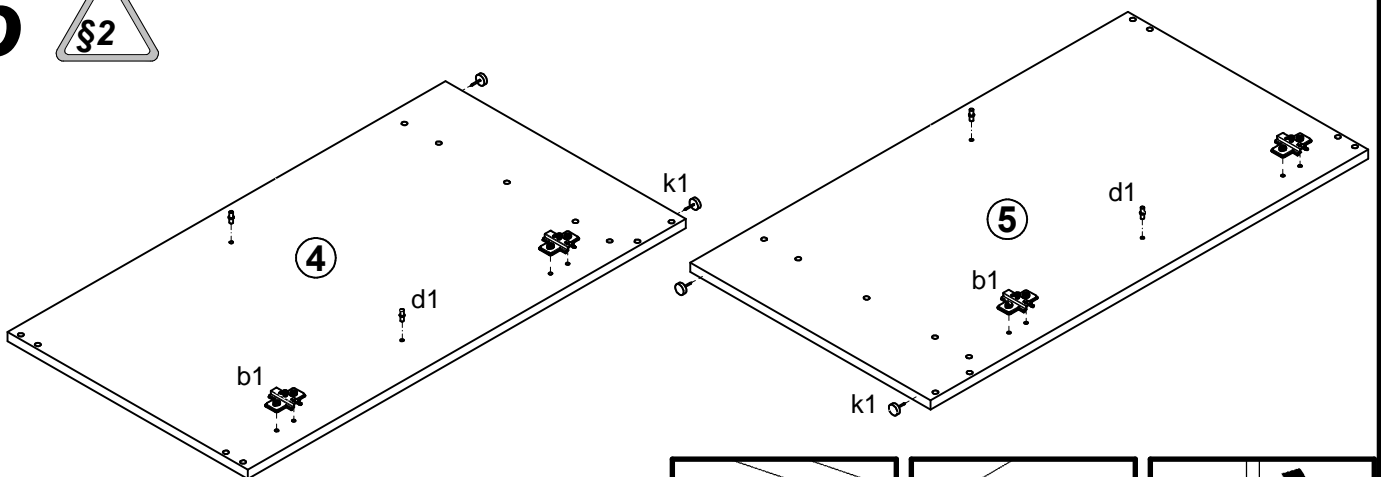
SONIA

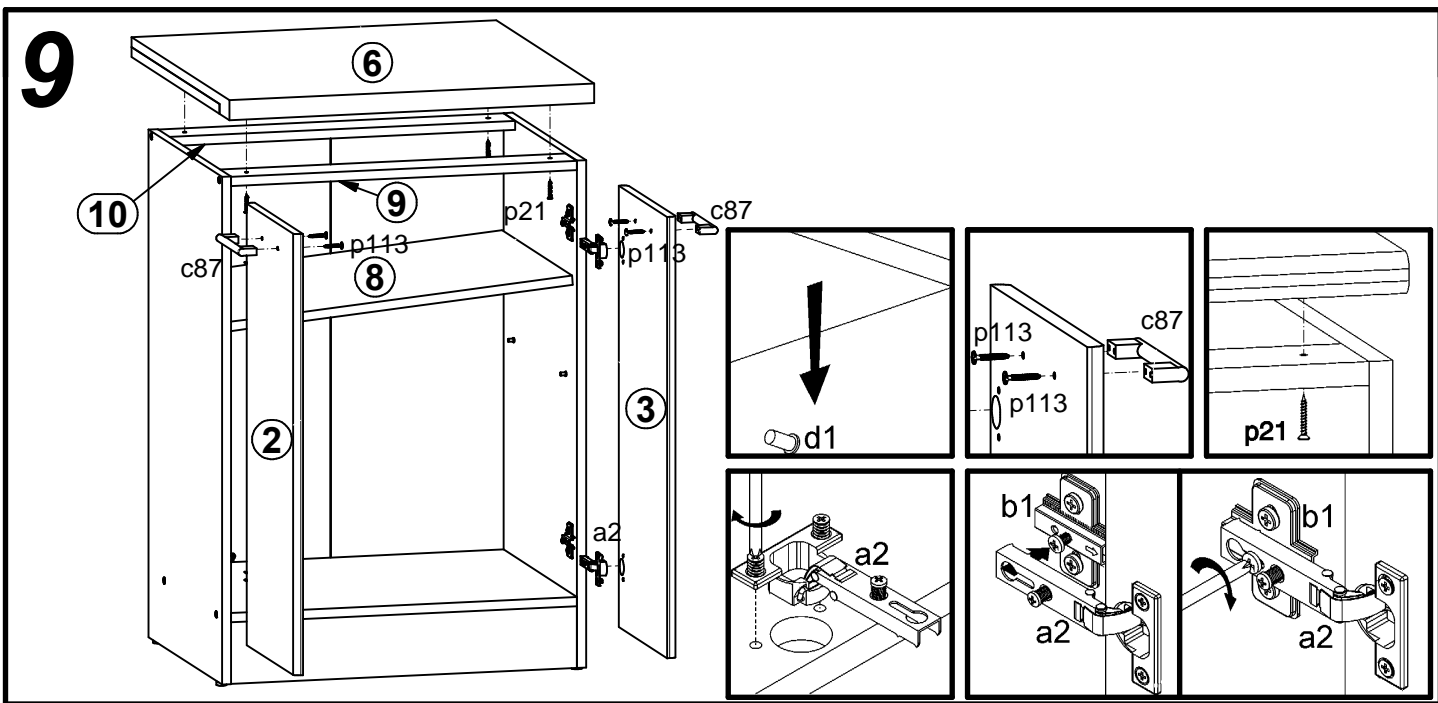
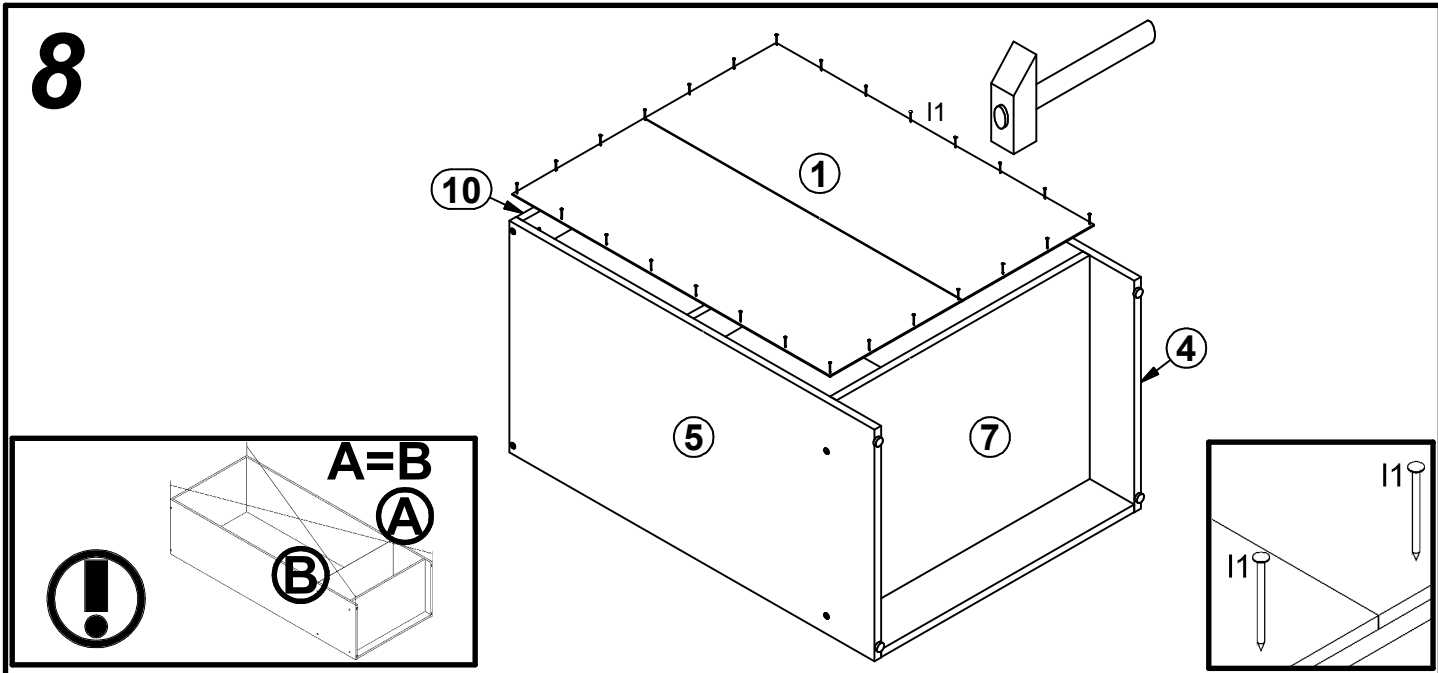
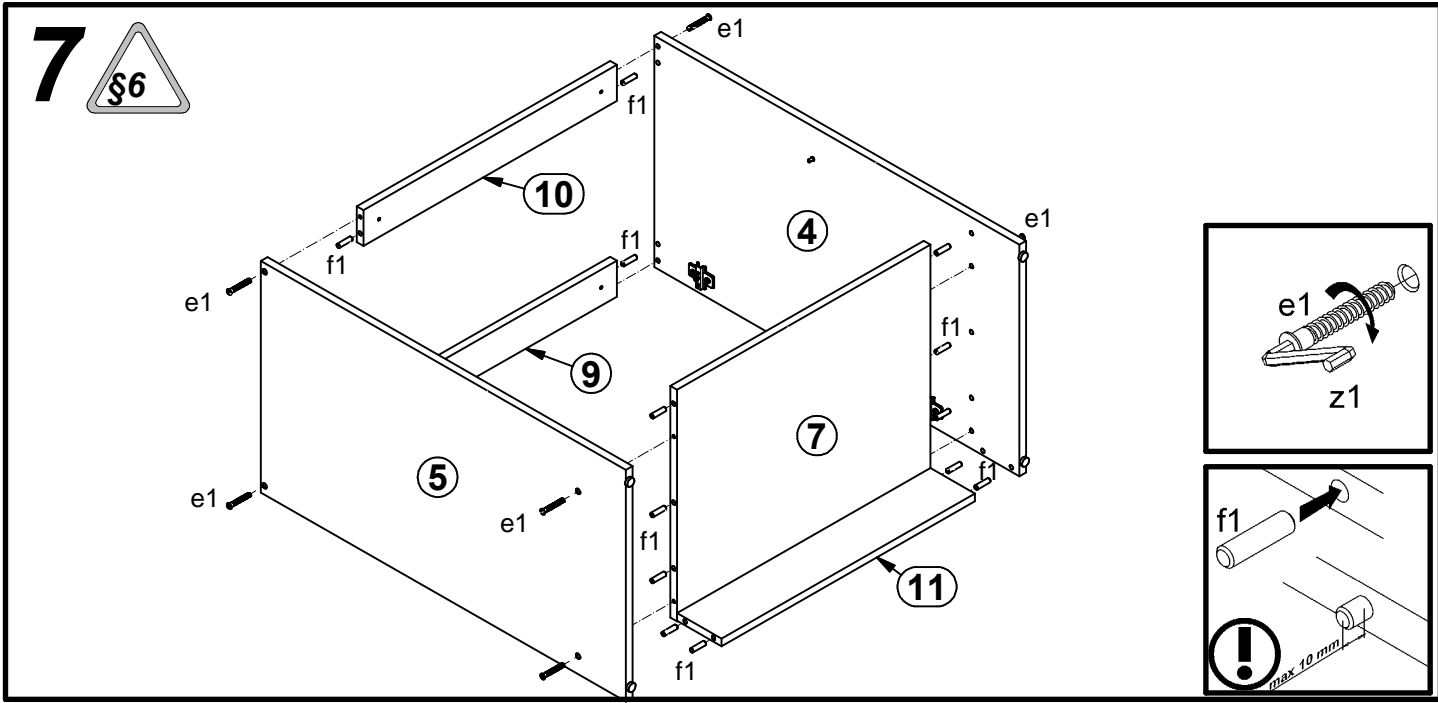
K15-KD2D/60/82

A	B	C	D
1	K13-907	714	593
2	K15-003	296	713
3	K15-004	296	713
4	K15-106	820	450
5	K15-107	820	450
6	K15-202	600	600
7	K15-311	569	450
8	K15-312	568	430
9	K15-404	569	70
10	K15-405	569	70
11	K15-406	569	100

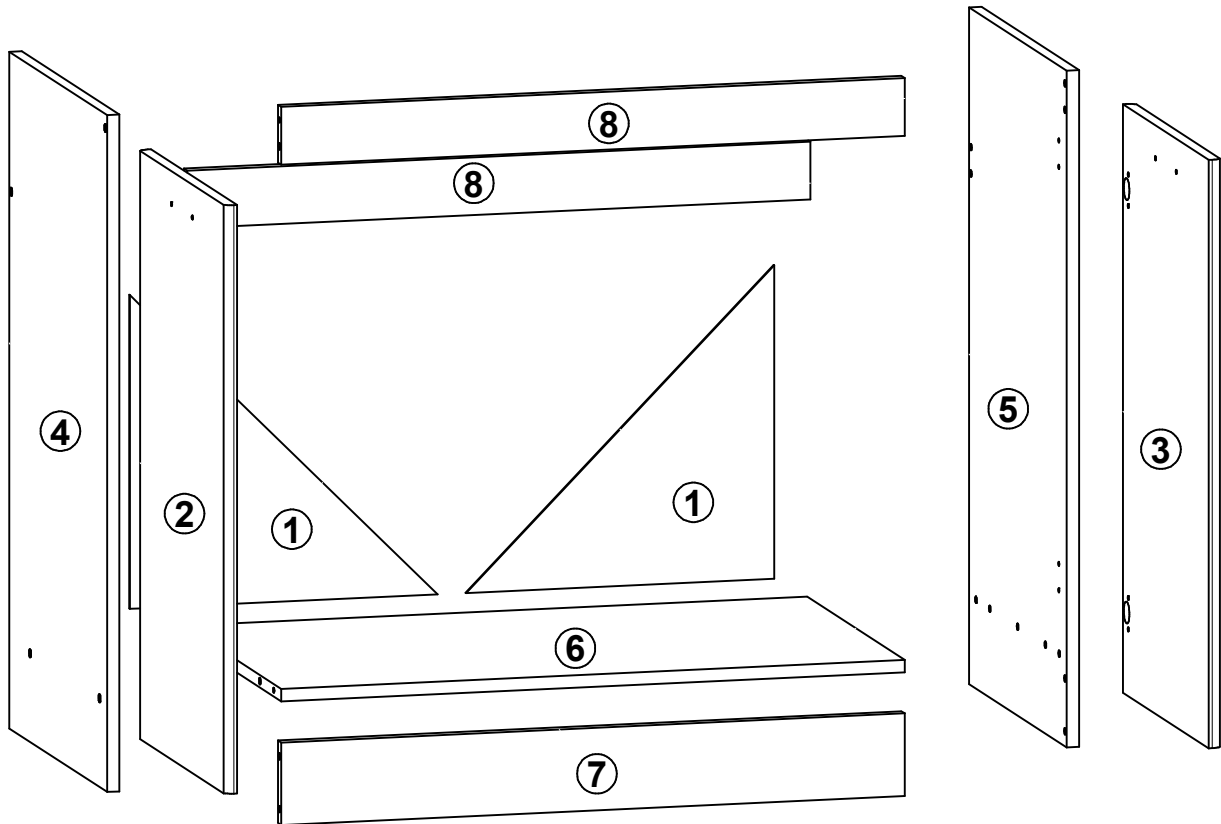
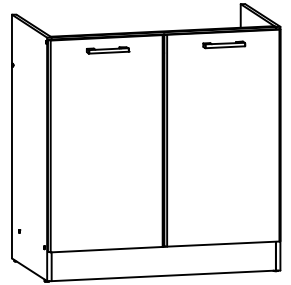


6

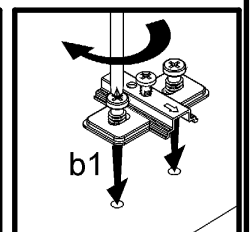
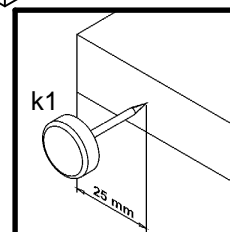
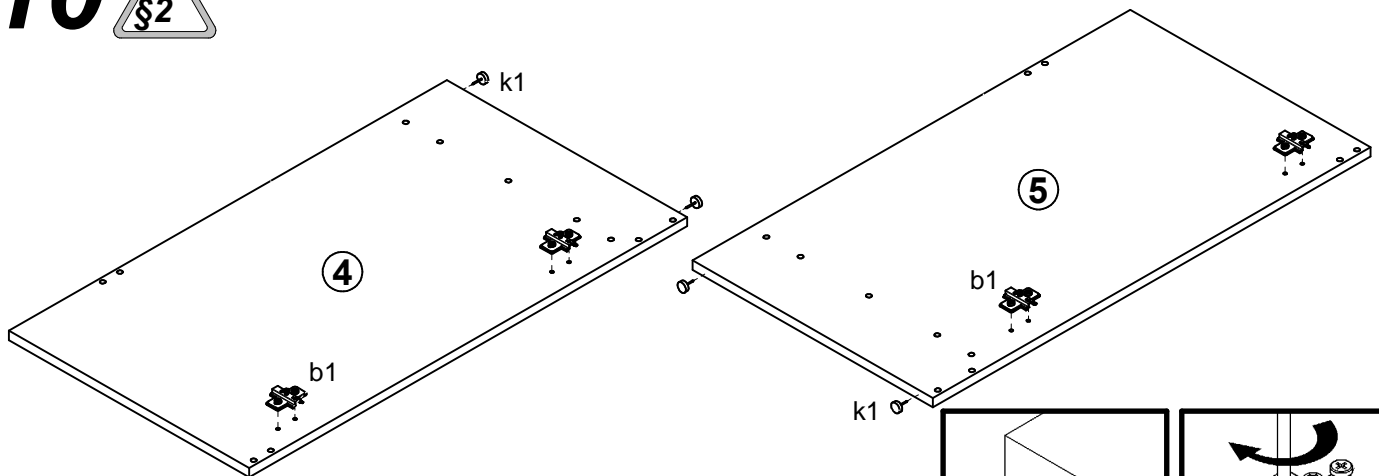




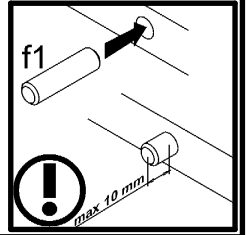
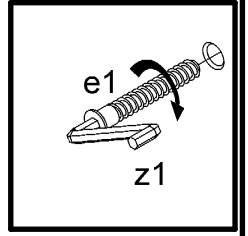
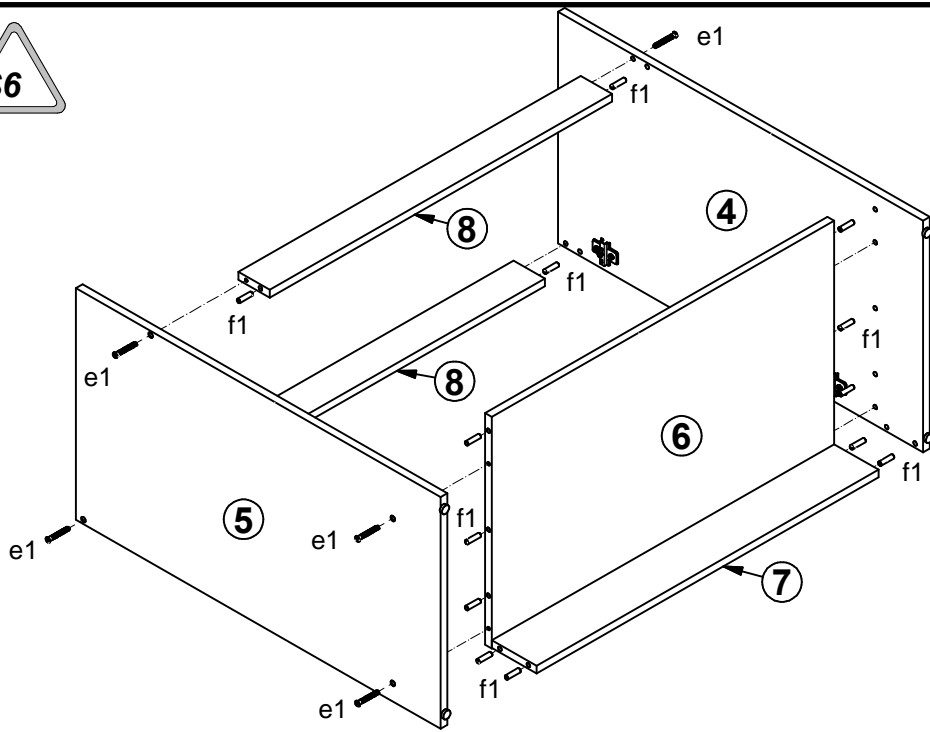
A	B	C	D
1	K13-908	380	380
2	K15-005	396	713
3	K15-006	396	713
4	K15-108	820	450
5	K15-109	820	450
6	K15-308	769	450
7	K15-407	769	100
8	K15-408	769	70



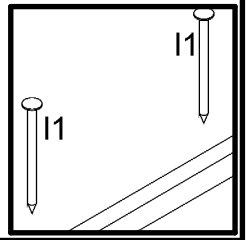
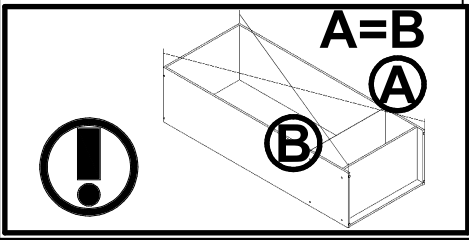
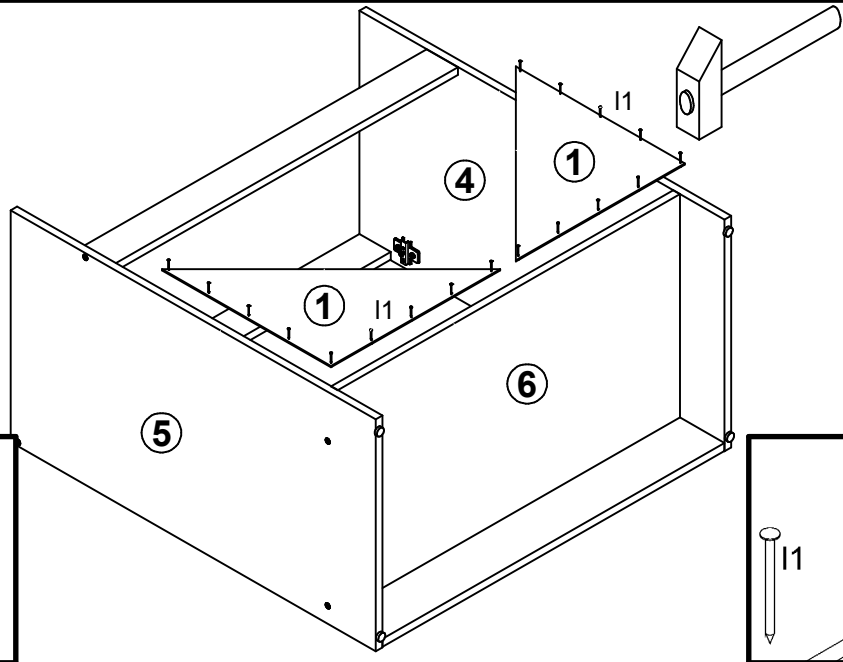
10



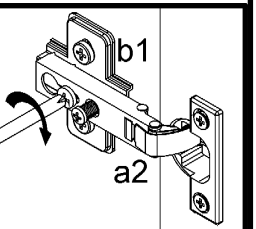
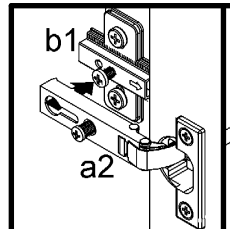
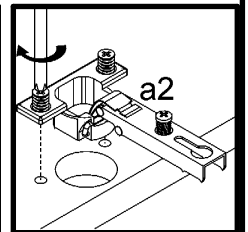
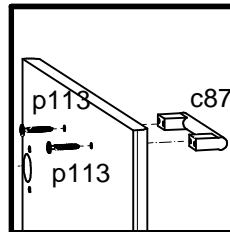
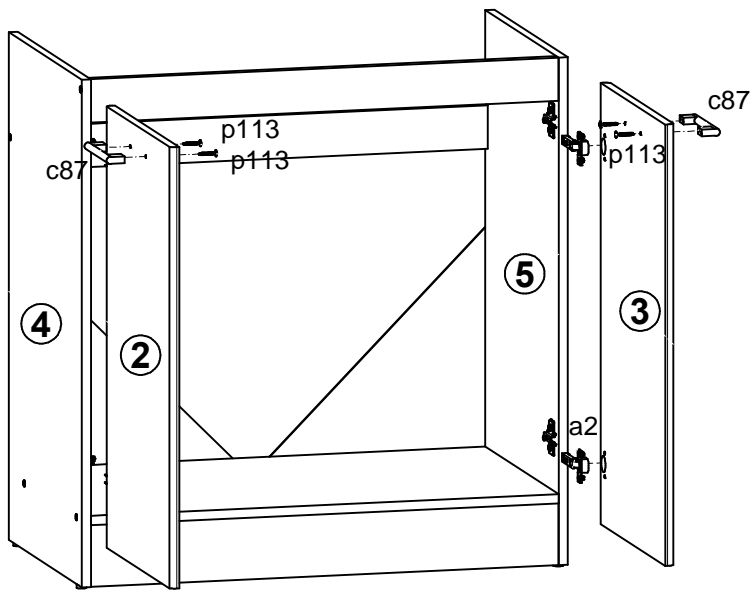
11



12



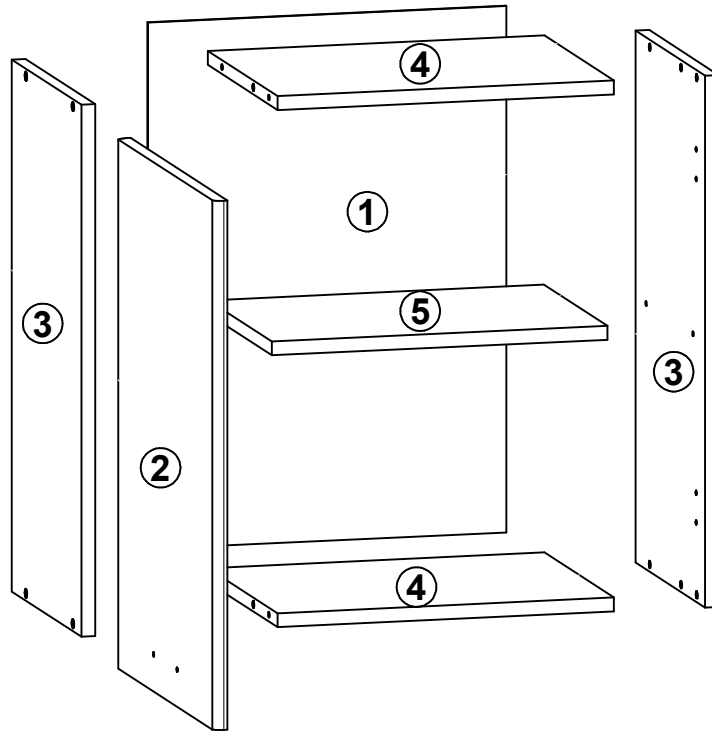
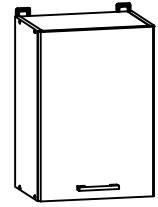
13



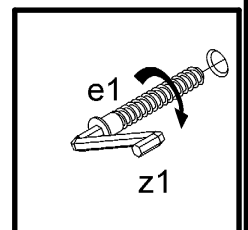
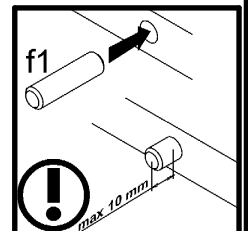
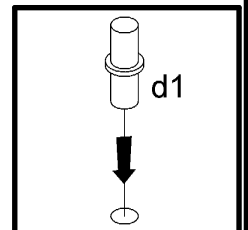
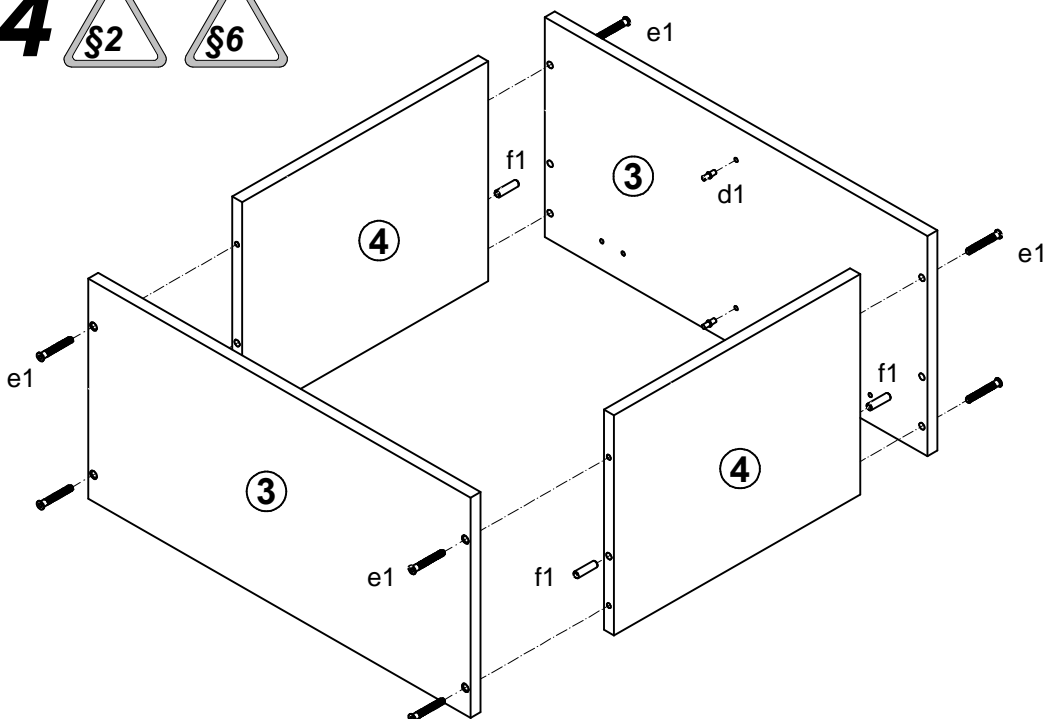
SONIA

K15-KG1D/40/57

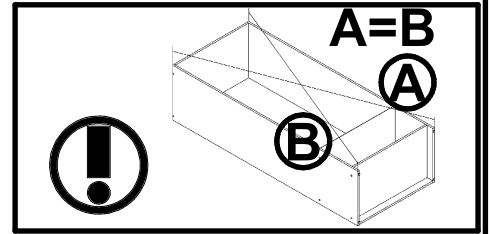
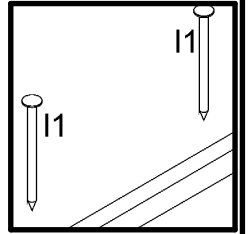
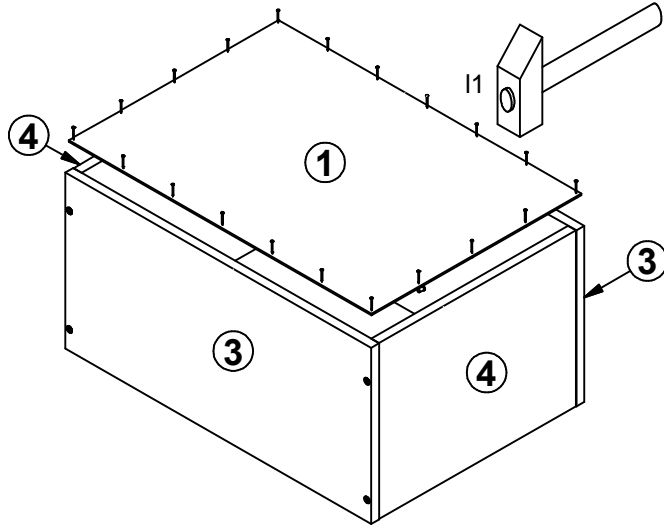
A	B	C	D
1	K13-901	567	393
2	K15-007	396	570
3	K15-101	573	285
4	K15-301	369	285
5	K15-302	368	260



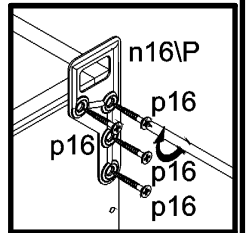
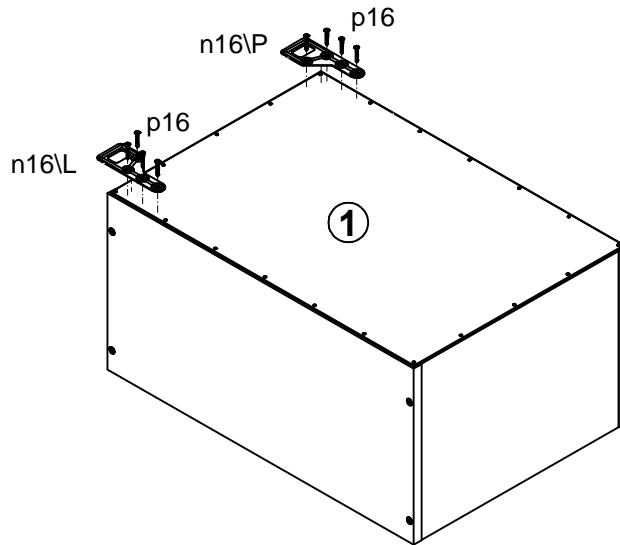
14



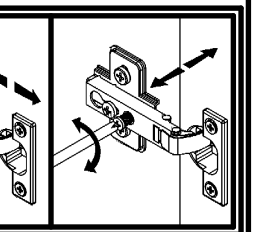
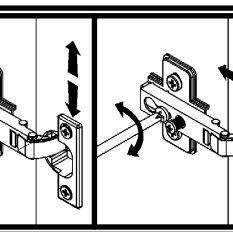
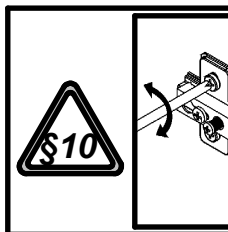
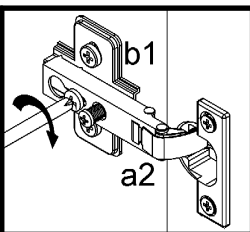
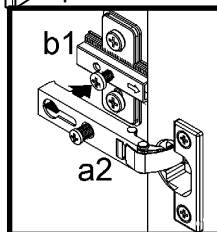
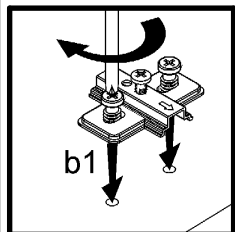
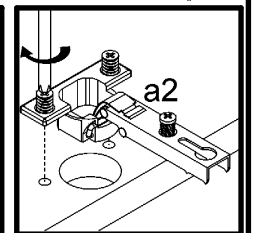
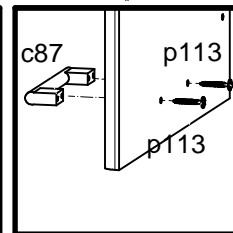
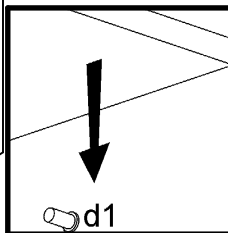
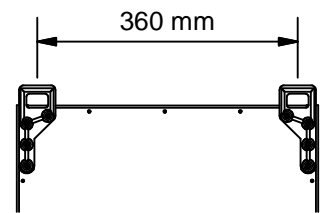
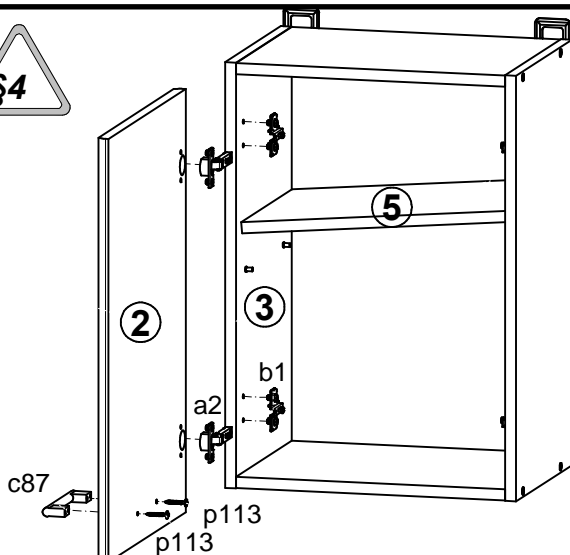
15



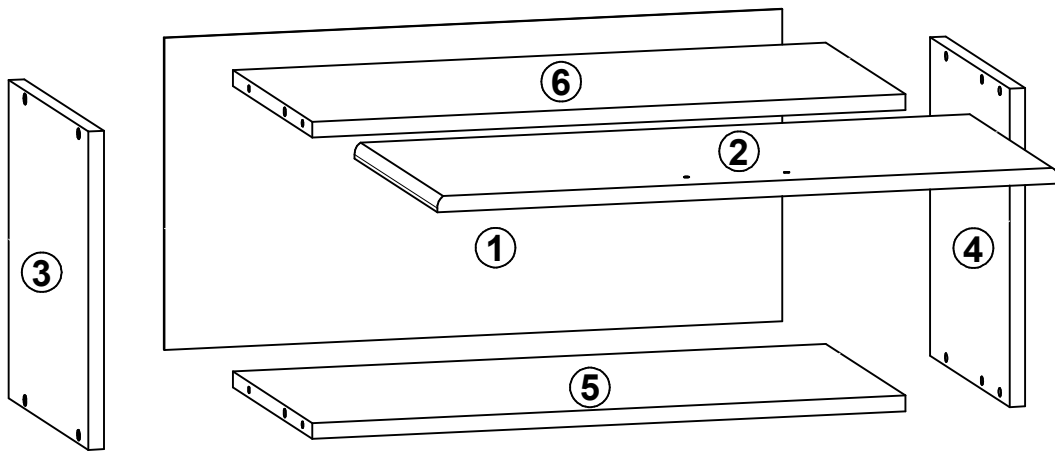
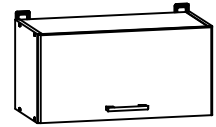
16



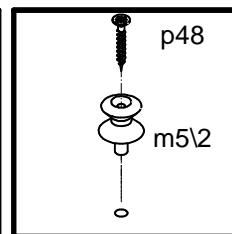
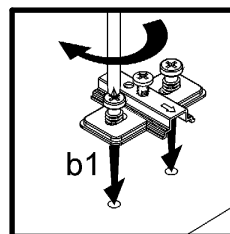
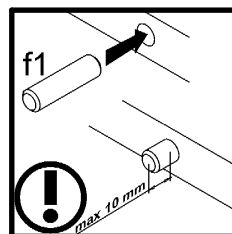
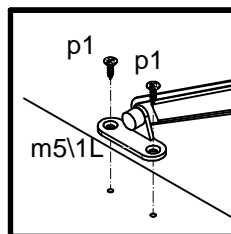
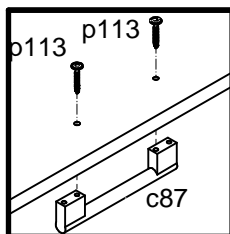
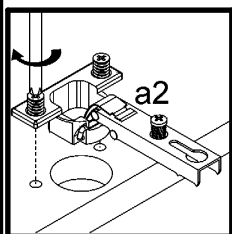
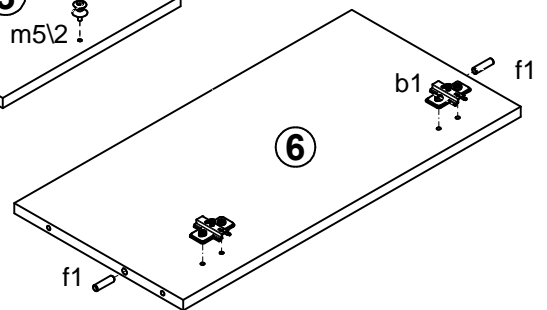
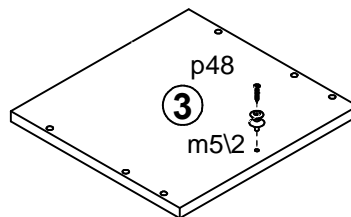
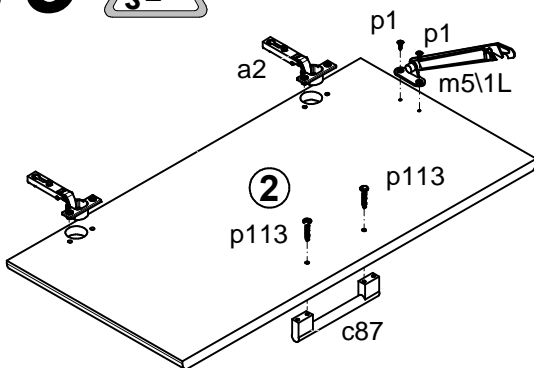
17



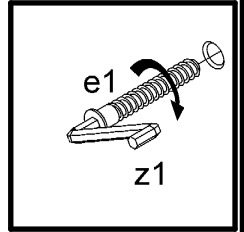
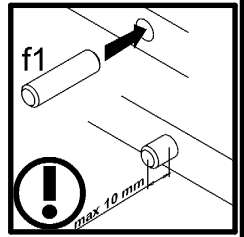
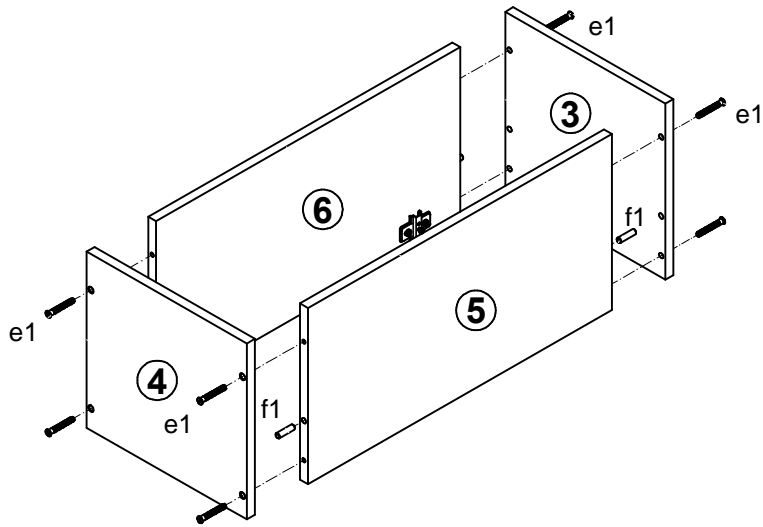
A	B	C	D
1	K13-904	593	294
2	K15-010	596	296
3	K15-102	300	285
4	K15-103	300	285
5	K15-303	569	285
6	K15-307	569	285



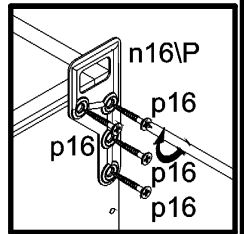
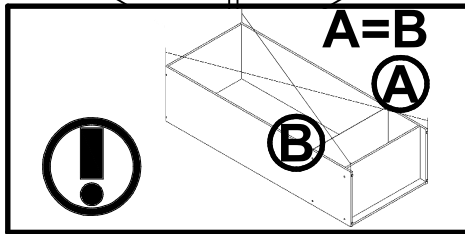
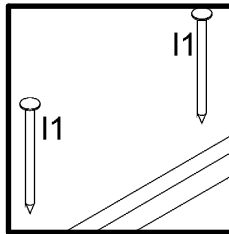
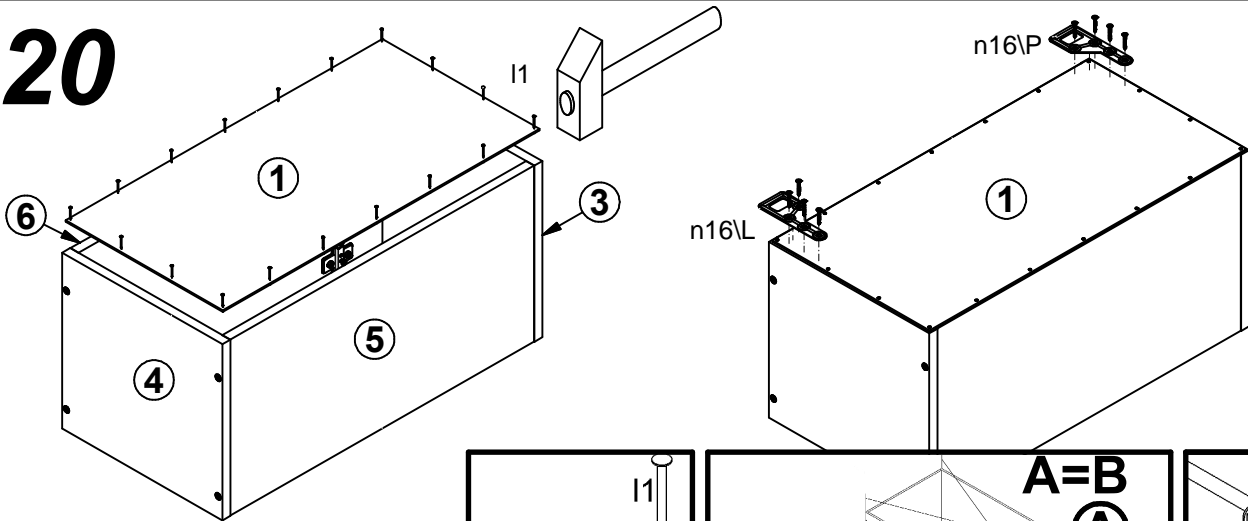
18



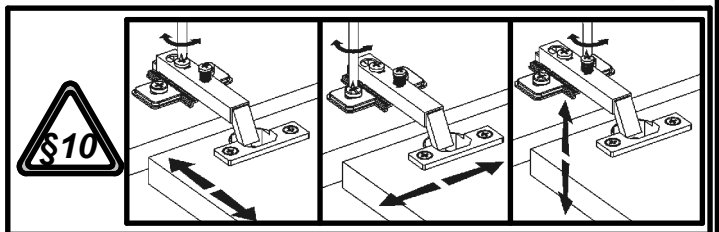
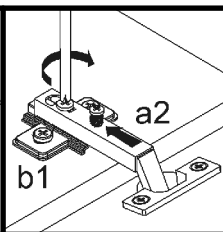
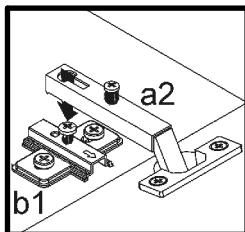
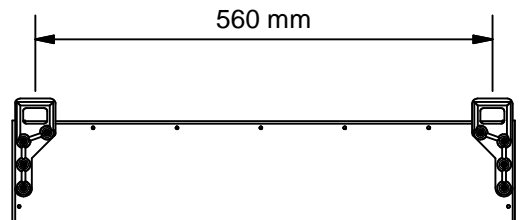
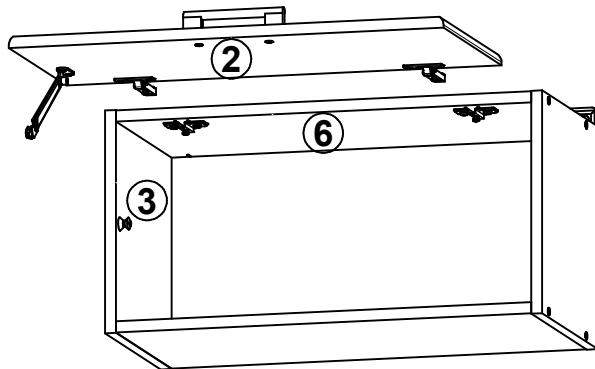
19



20



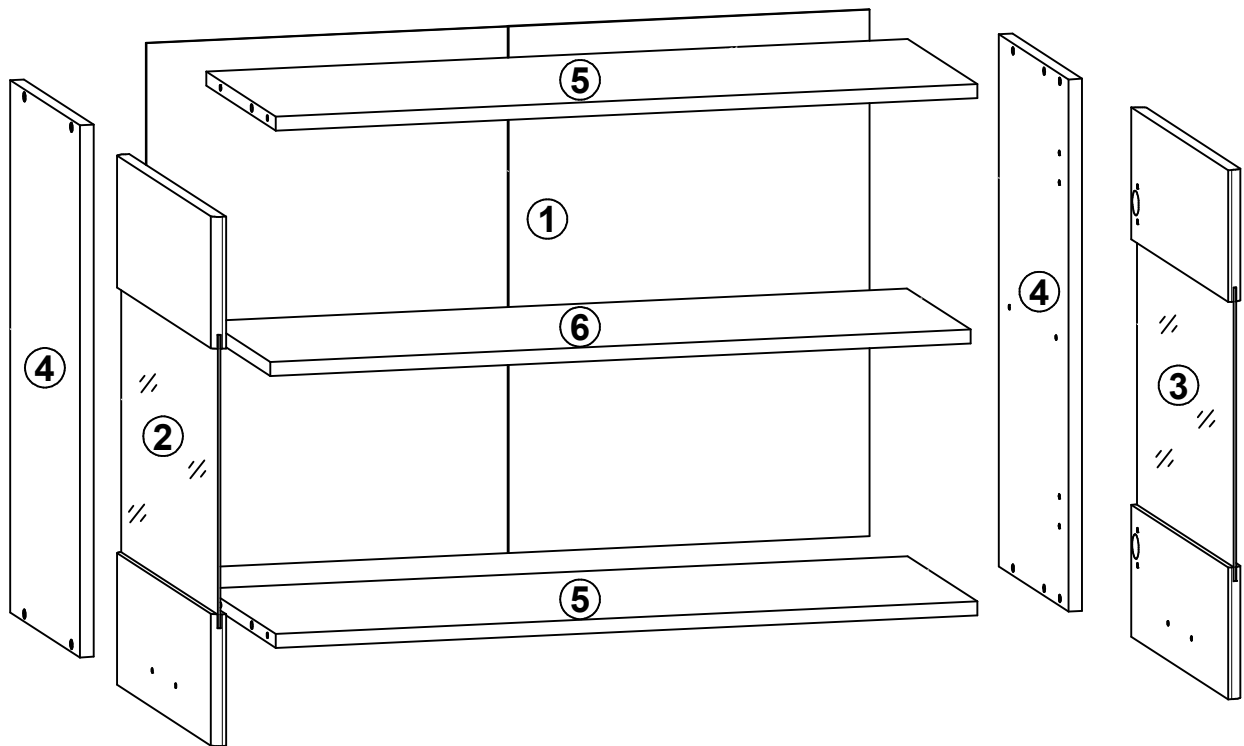
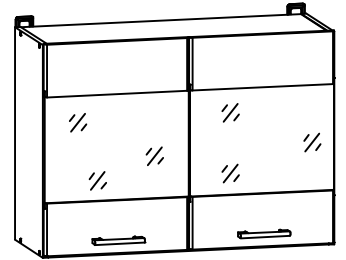
21



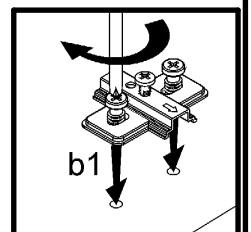
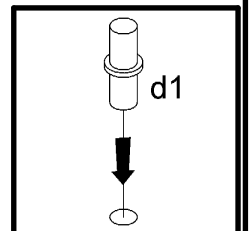
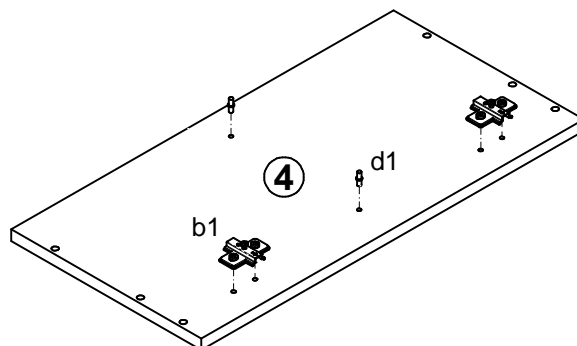
SONIA

K15-KG2W/80/57

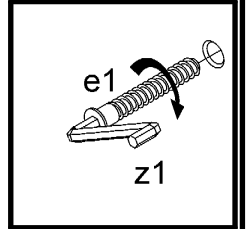
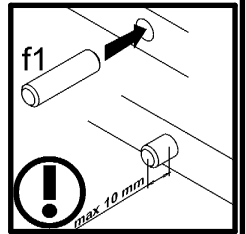
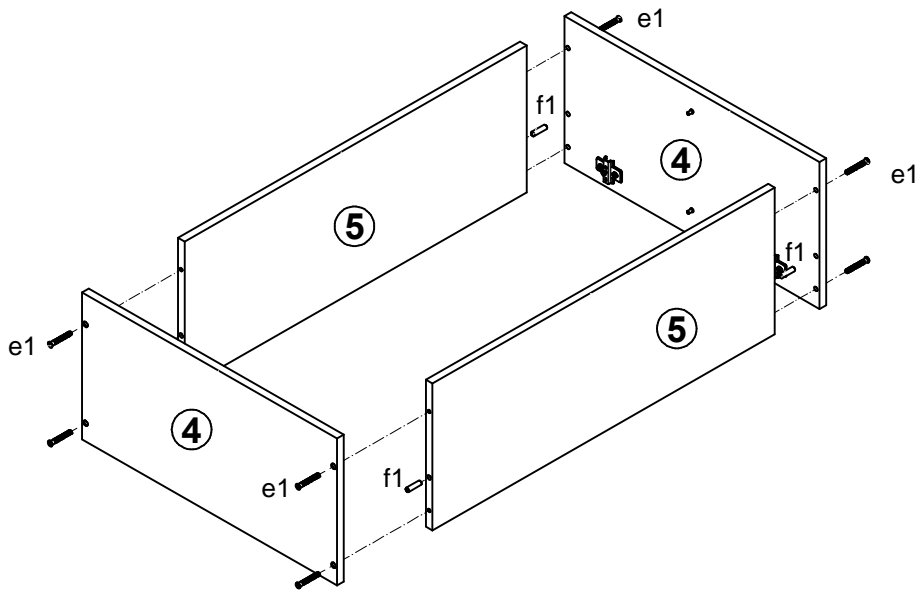
A	B	C	D
1	K13-903	567	793 1/8
2	K15-011	396	570 7/8
3	K15-012	396	570 7/8
4	K15-101	573	285 3/8
5	K15-305	769	285 4/8
6	K15-306	768	260 4/8



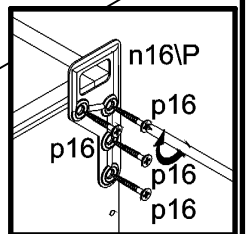
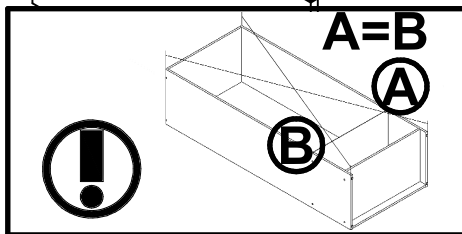
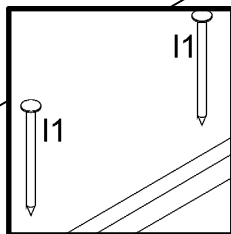
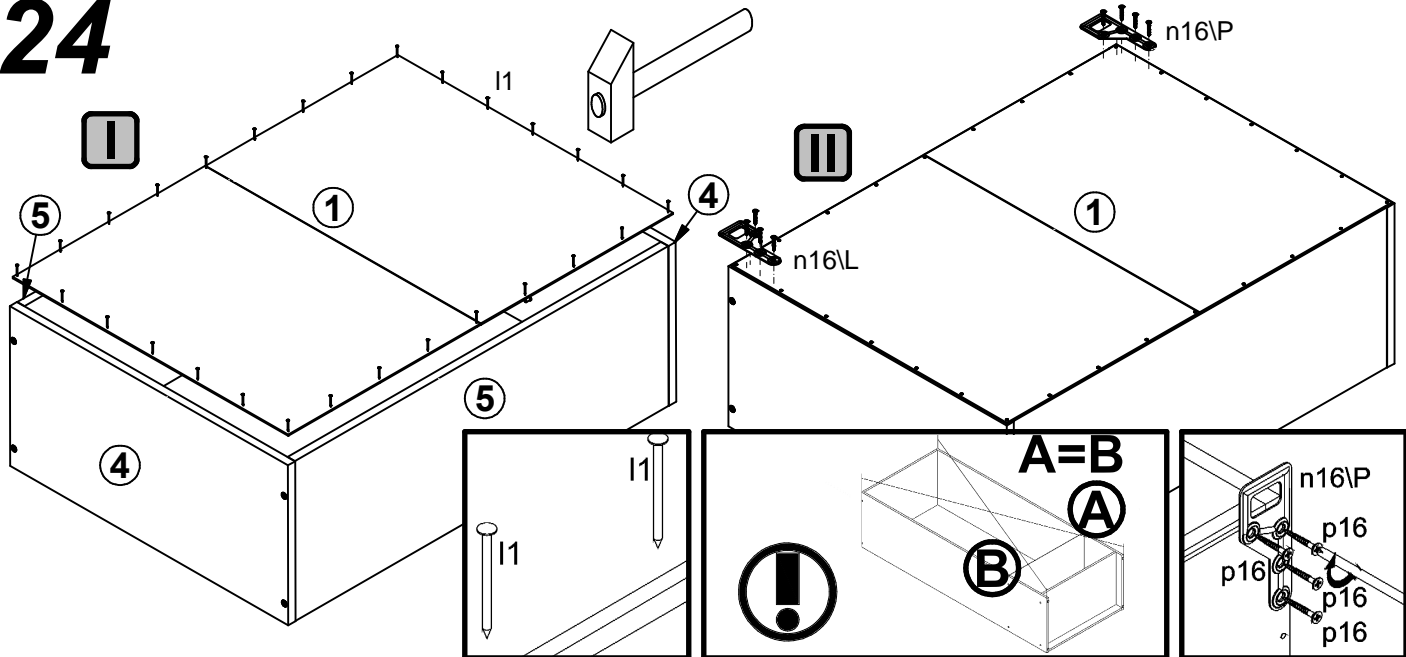
22



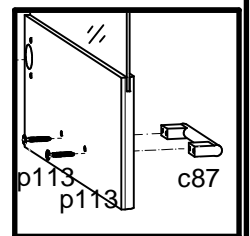
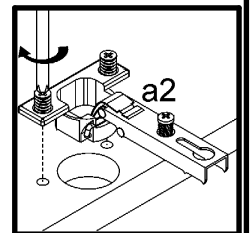
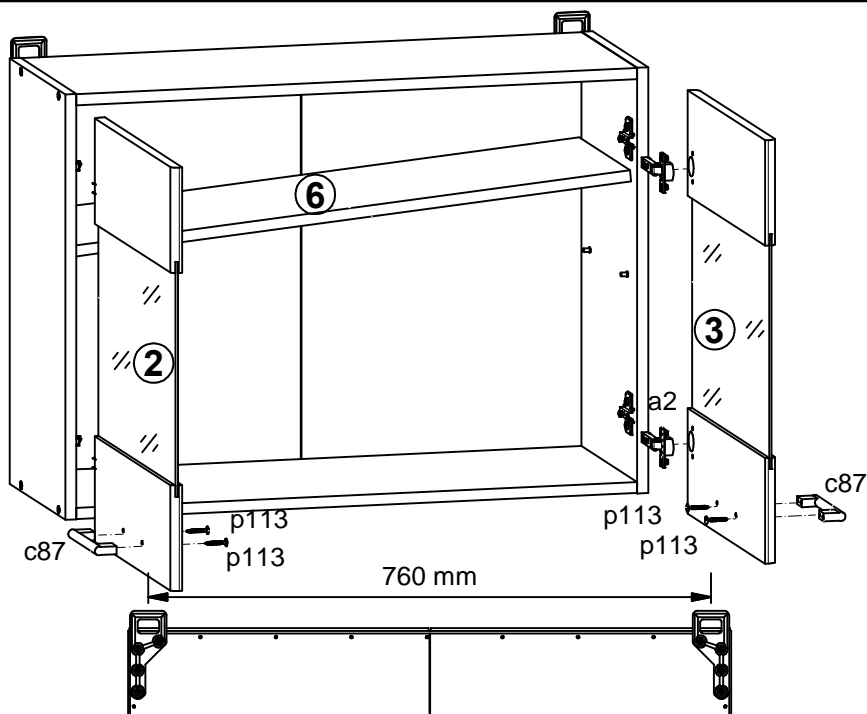
23



24



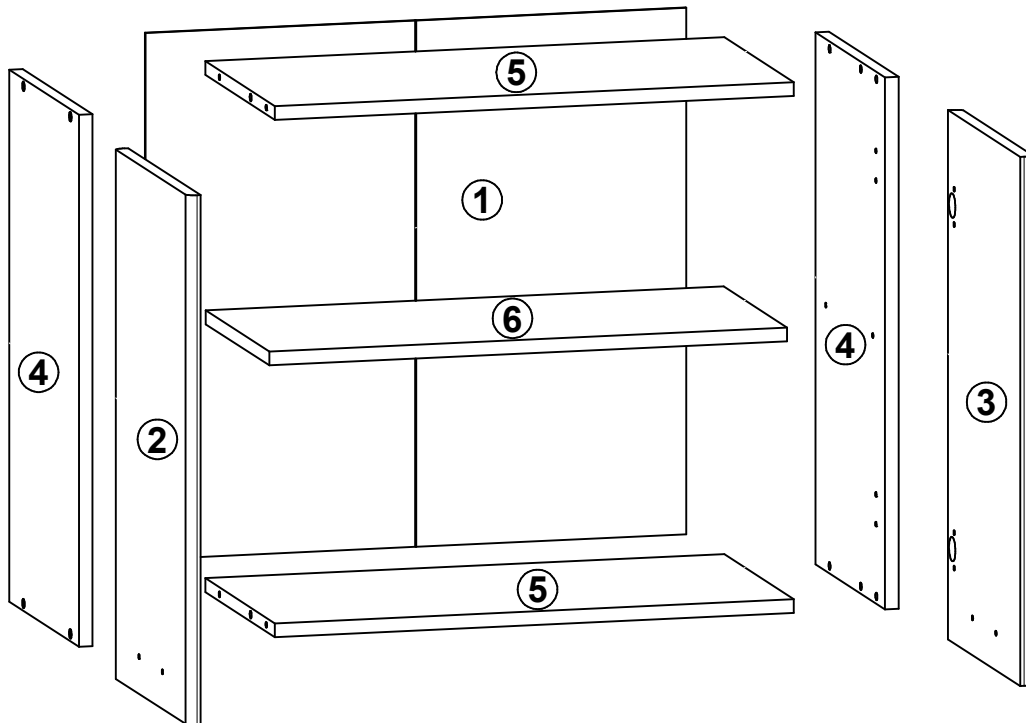
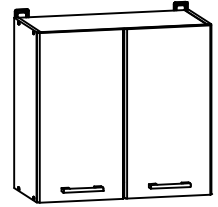
25



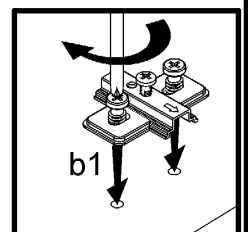
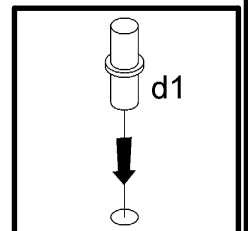
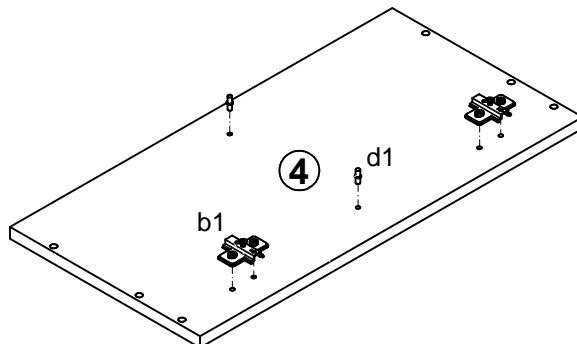
SONIA

K15-KG2D/60/57

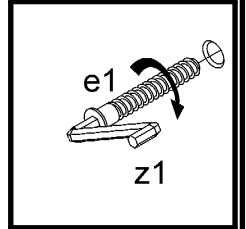
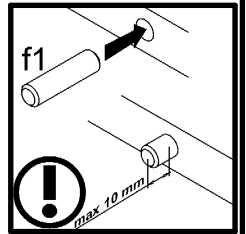
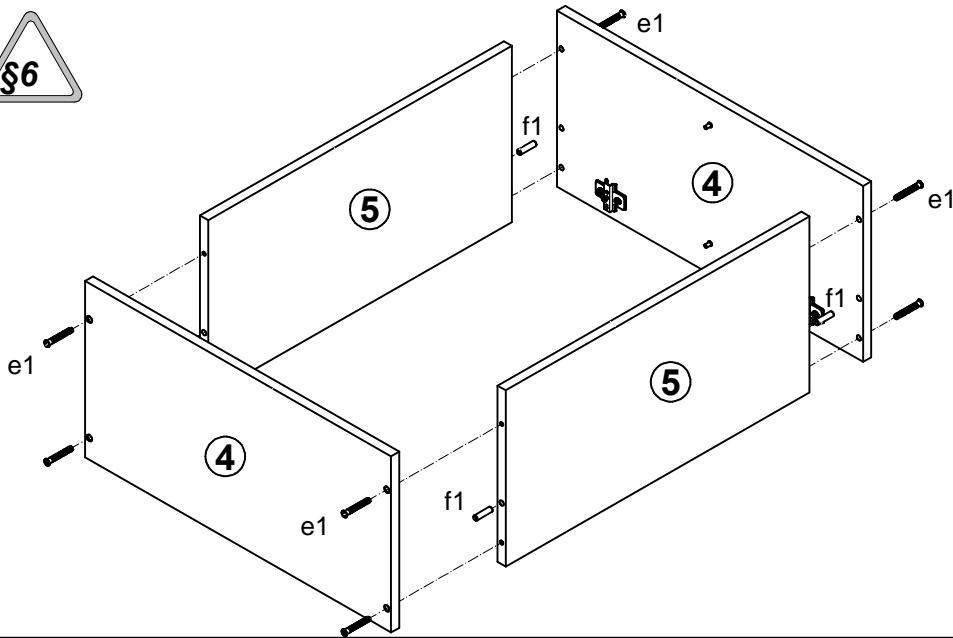
A	B	C	D
1	K13-902	567	593
2	K15-008	296	570
3	K15-009	296	570
4	K15-101	573	285
5	K15-303	569	285
6	K15-304	568	260



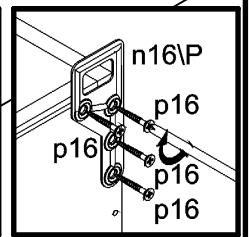
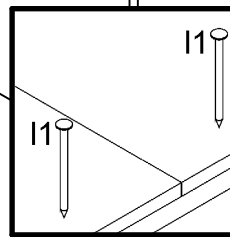
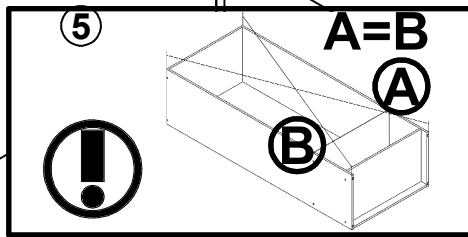
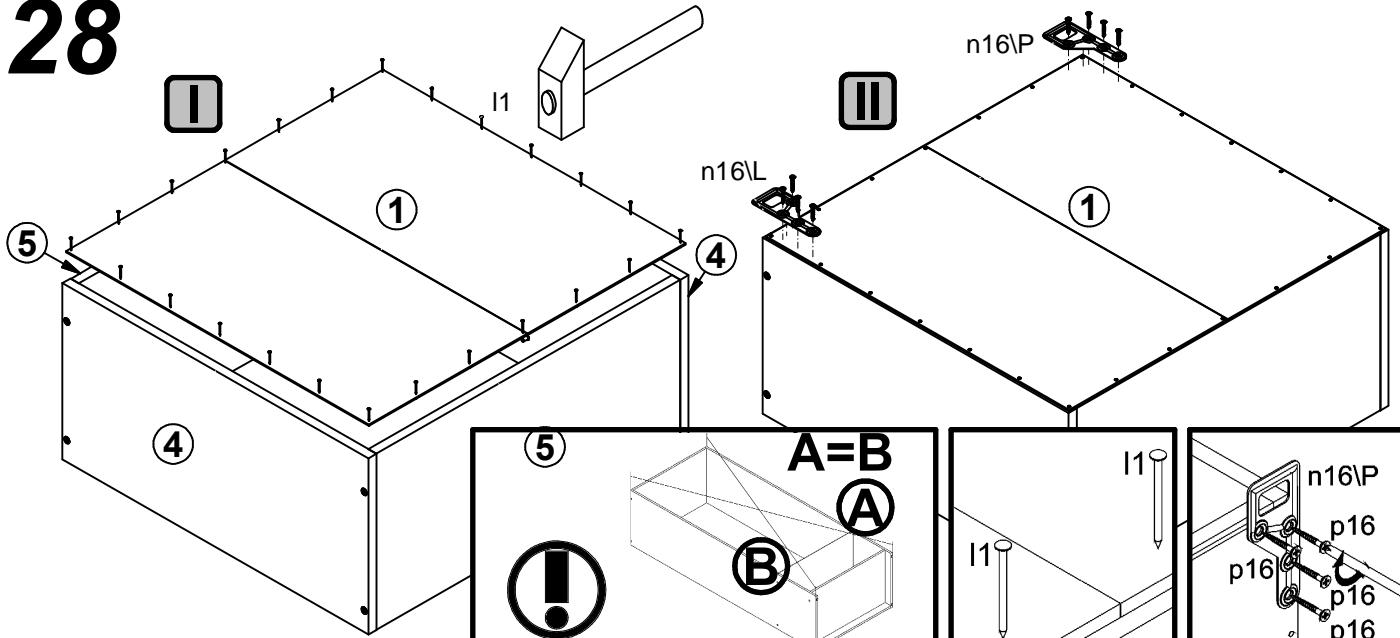
26



27



28



29

