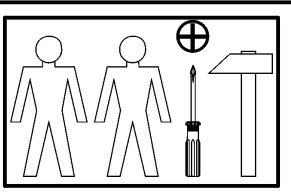
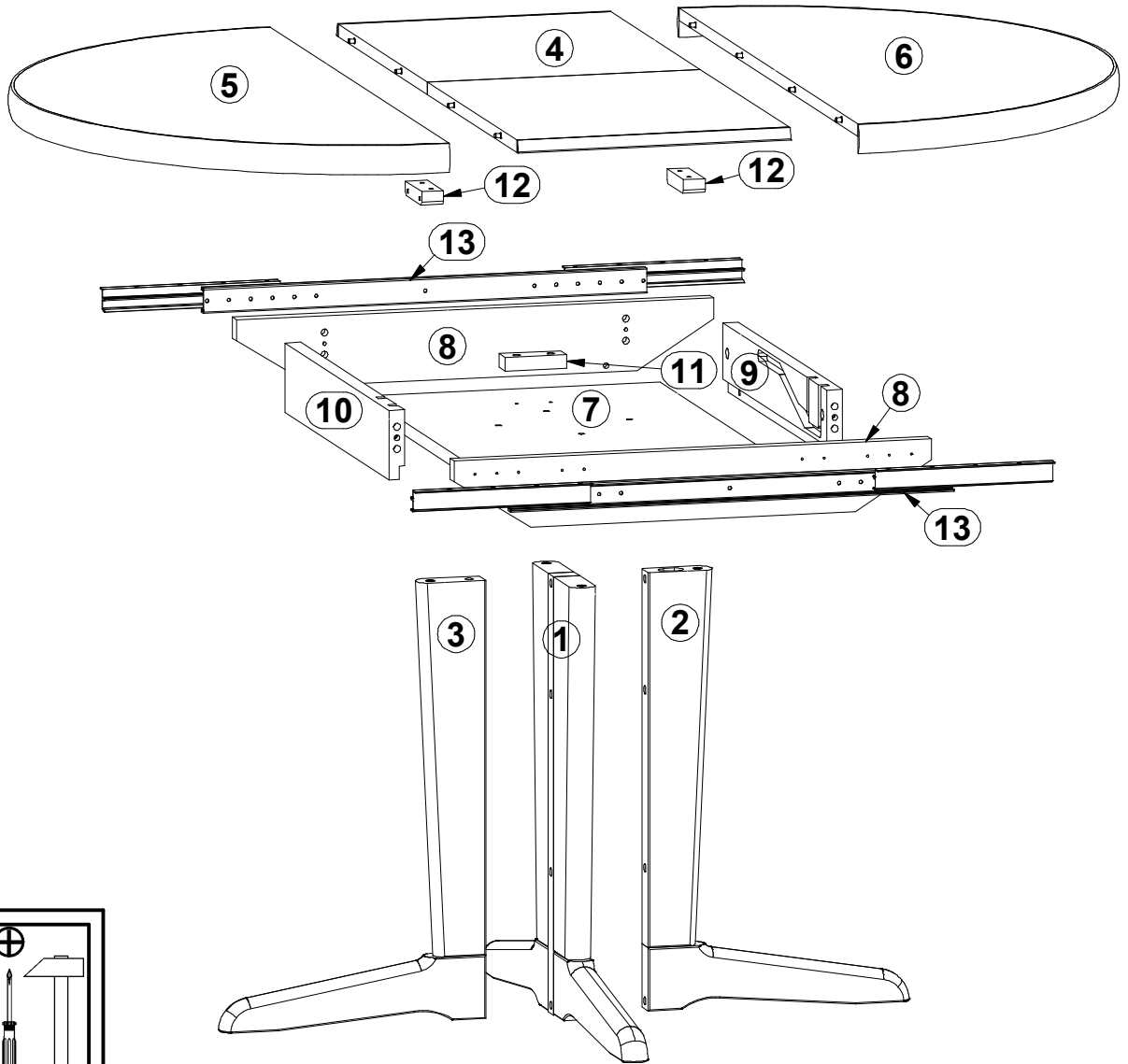
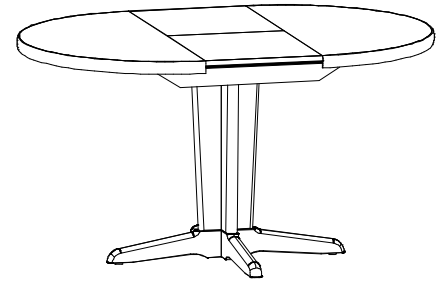


STOŁY

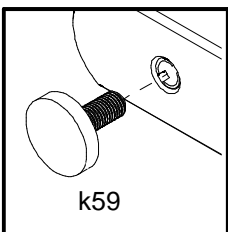
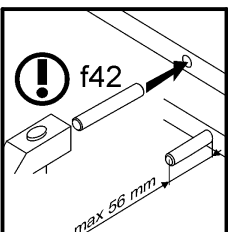
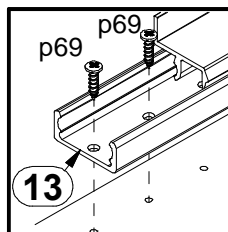
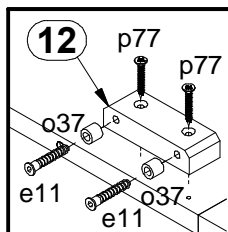
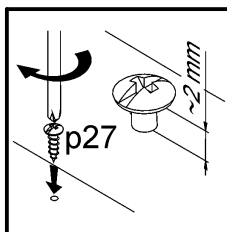
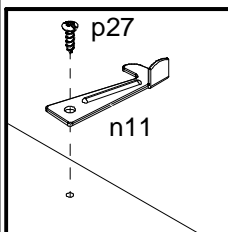
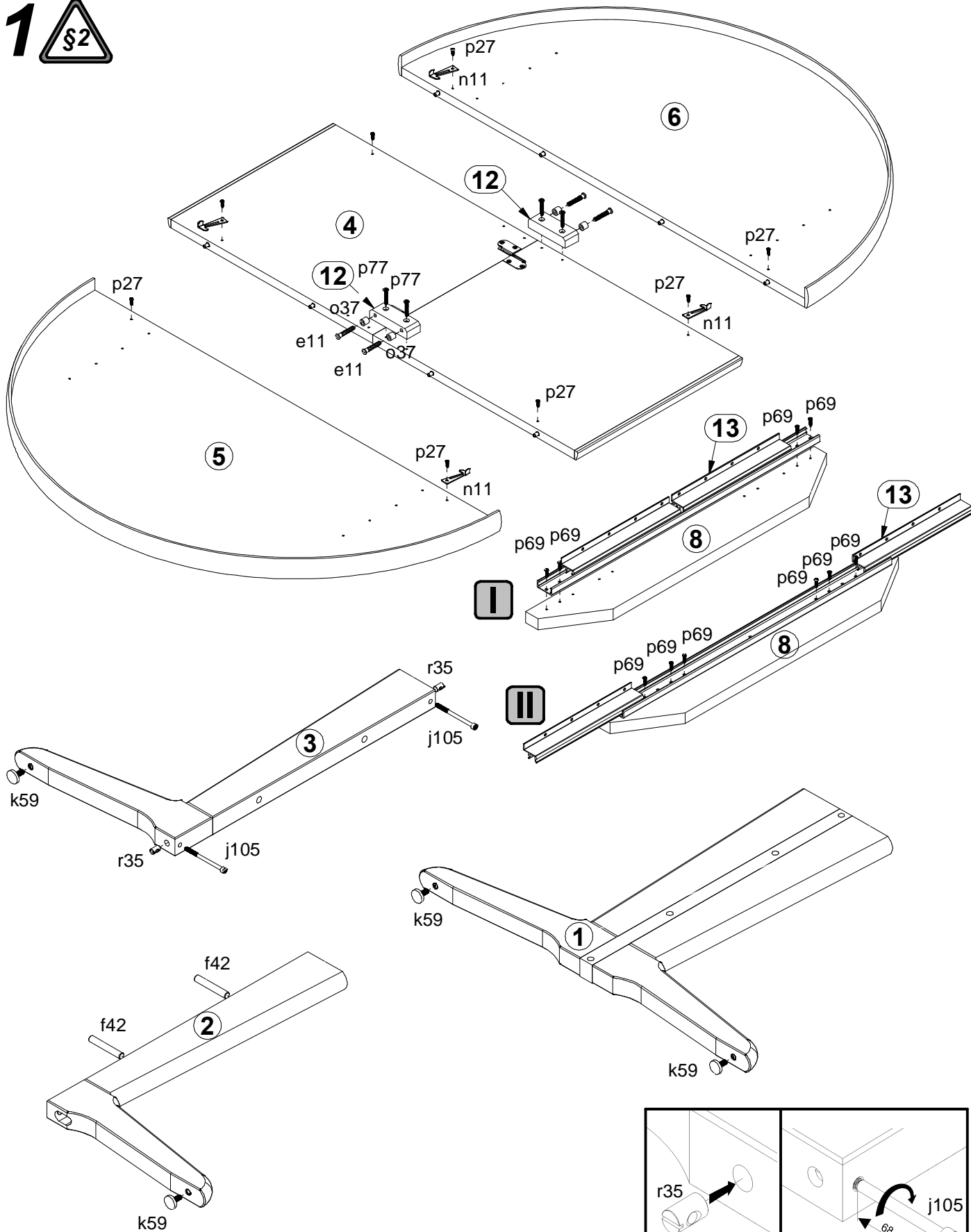
CARLOS

| A | B | C | D | |
|----|---------|-----|-------|-----|
| 1 | TS1-147 | 804 | 635 | 1/1 |
| 2 | TS1-148 | 635 | 387 | 1/1 |
| 3 | TS1-149 | 635 | 387 | 1/1 |
| 4 | TS1-256 | 994 | 400 | 1/1 |
| 5 | TS1-257 | 995 | 497,5 | 1/1 |
| 6 | TS1-258 | 995 | 497,5 | 1/1 |
| 7 | TS1-259 | 569 | 434 | 1/1 |
| 8 | TS1-459 | 700 | 100 | 1/1 |
| 9 | TS1-460 | 570 | 100 | 1/1 |
| 10 | TS1-461 | 570 | 100 | 1/1 |
| 11 | TS1-795 | 90 | 32 | 1/1 |
| 12 | TS1-796 | 90 | 32 | 1/1 |
| 13 | w63 | 650 | 36 | 1/1 |

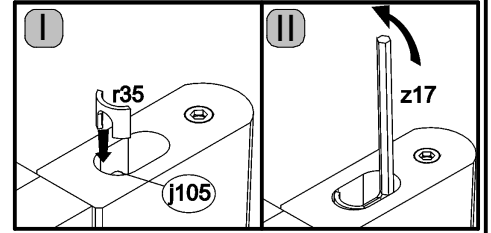
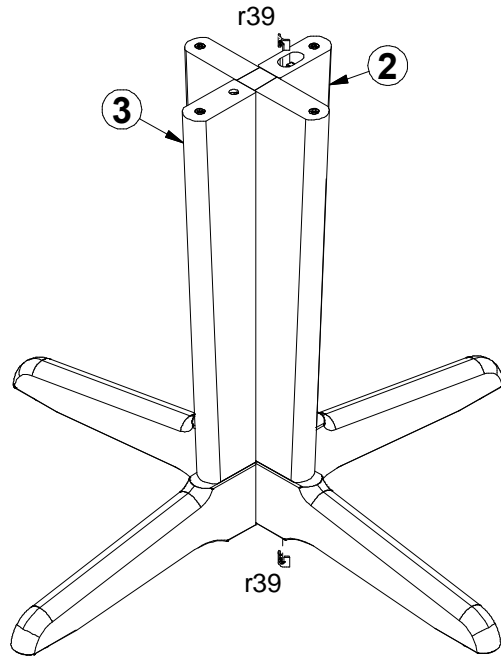


| | | | | | | | | |
|---------------------------------|--------------------------------|-------------------------------|-------------------------------|-------------------|-----------------------------------|--|------------------------|---|
| 4x $\phi 7 \times 40$ mm e11 | 8x $\phi 10 \times 40$ mm f27 | 8x $\phi 8 \times 35$ mm f29 | 2x $\phi 12 \times 75$ mm f42 | 2x M6x90 mm j105 | 4x M6x40 mm j109 | 4x k59 | 4x n11 | 4x $\phi 6,5 \times 18 \times 1,5$ mm o31 |
| 4x $\phi 7/12 \times 11$ mm o37 | 8x $\phi 3,5 \times 13$ mm p27 | 36x $\phi 4 \times 16$ mm p69 | 6x $\phi 5 \times 30$ mm p77 | 4x r16 | 4x $\phi 15 \times 1,5$ mm #22 r3 | 2x $\phi 10 \times 6 \times 16$ mm r35 | 2x 19x14,5x7,2 mm r39 | 1x z1 |
| 1x 5mm z17 | | | | | | | | |

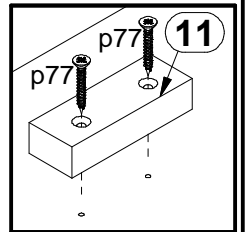
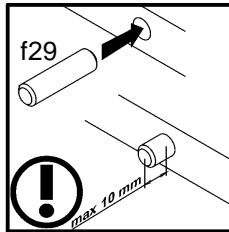
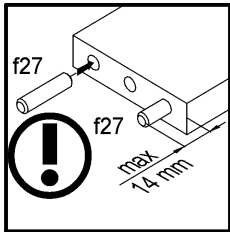
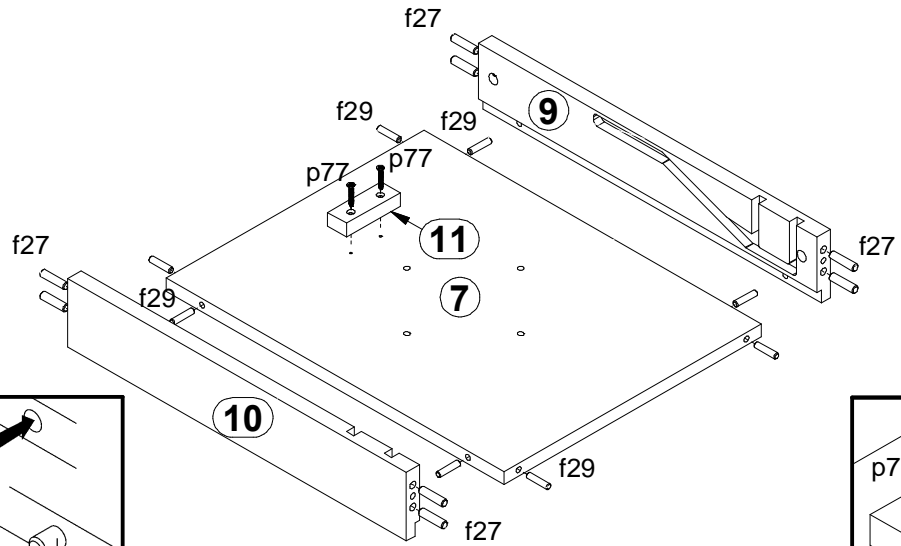
1 



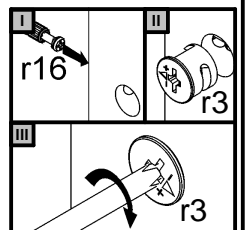
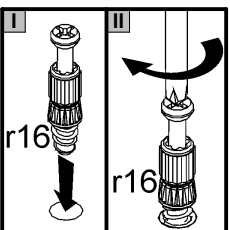
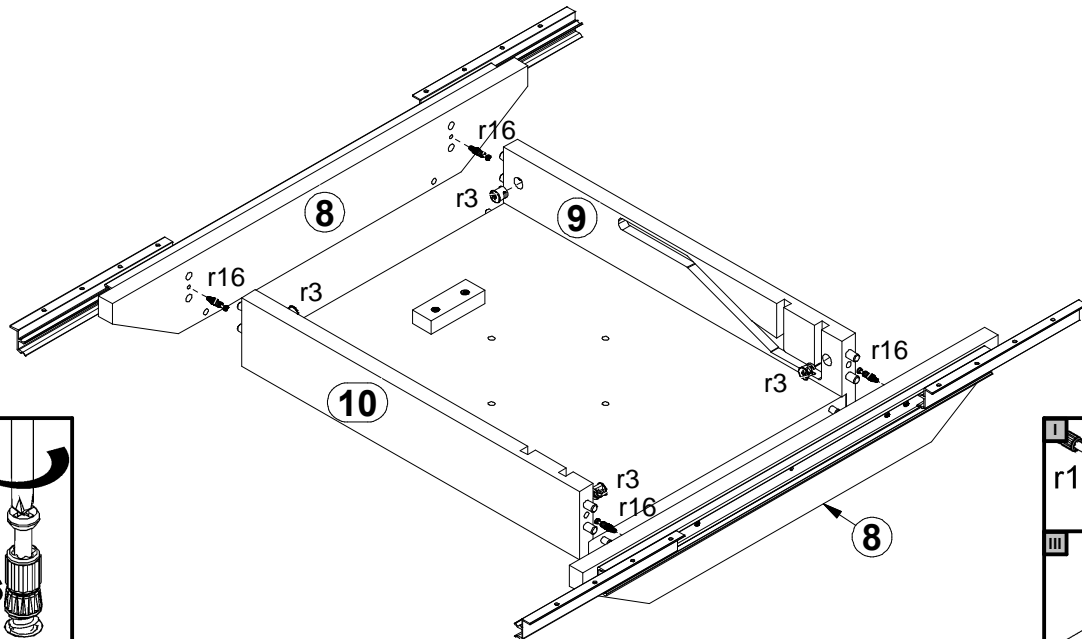
2



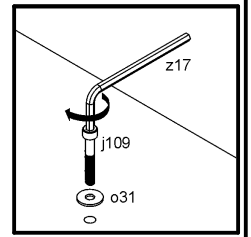
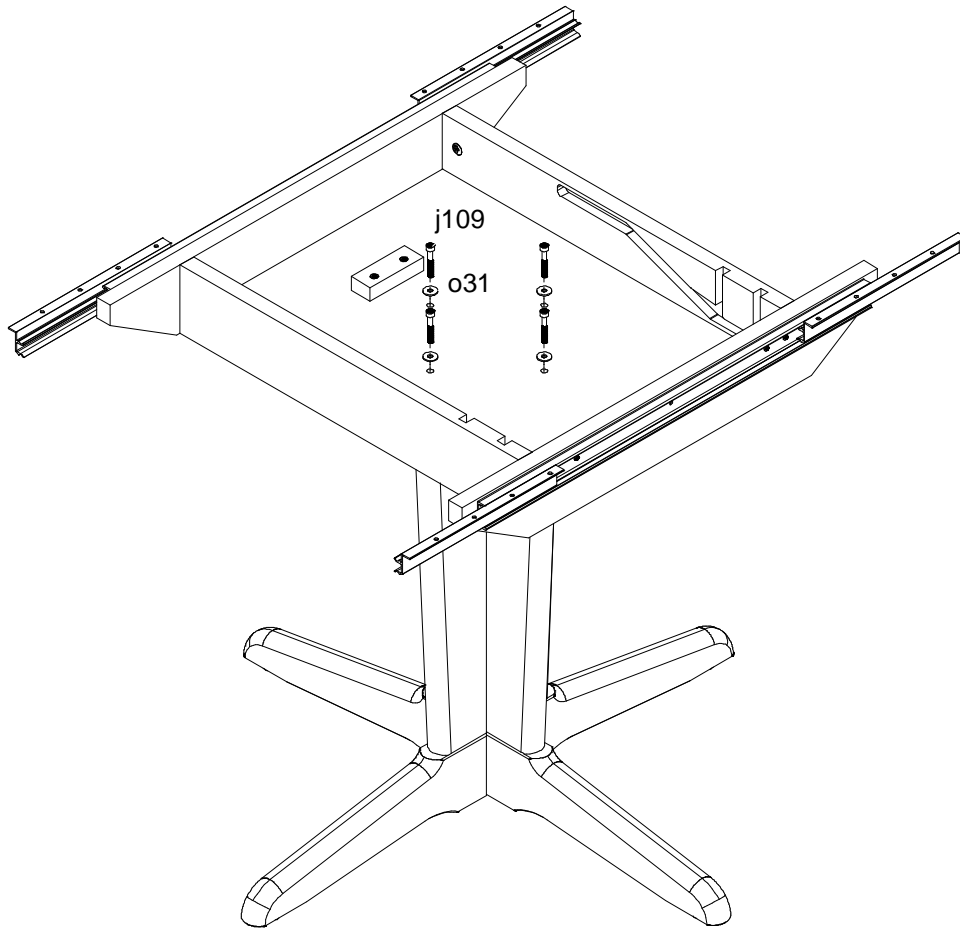
3



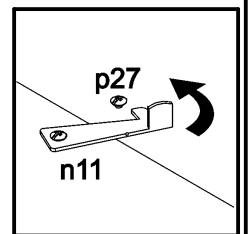
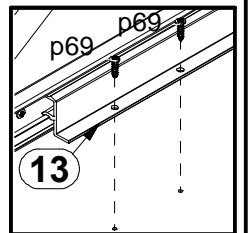
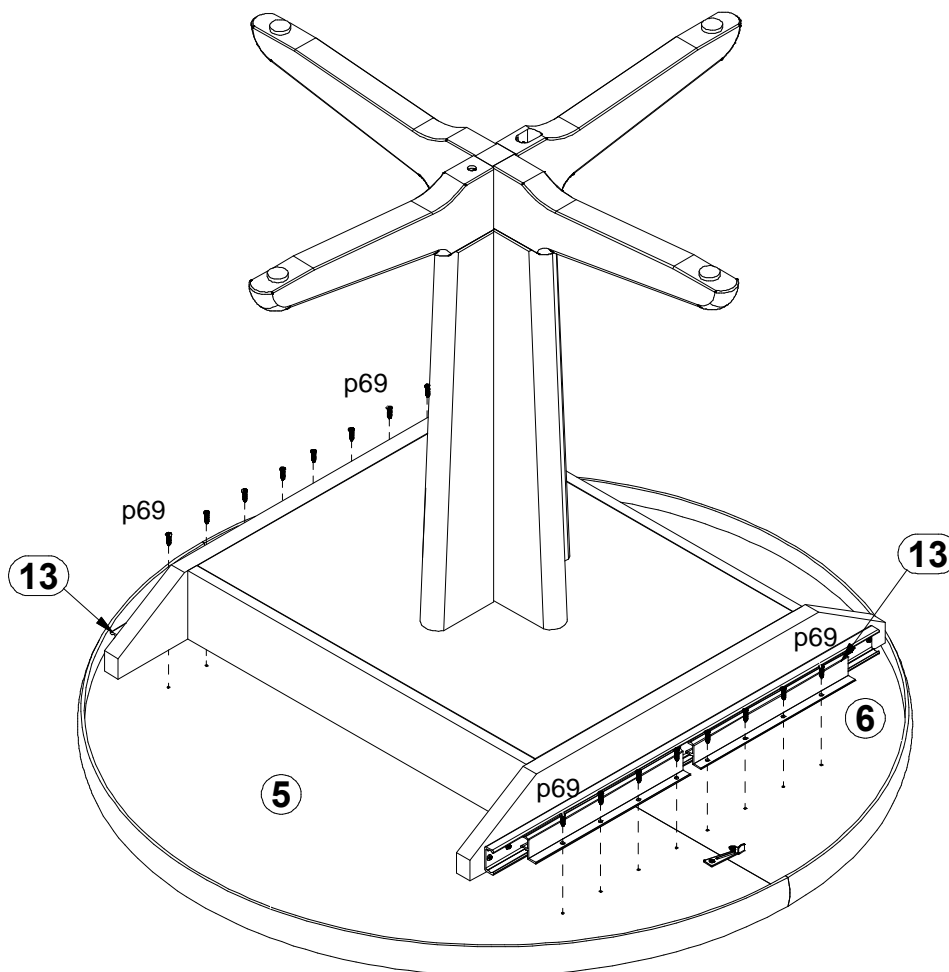
4



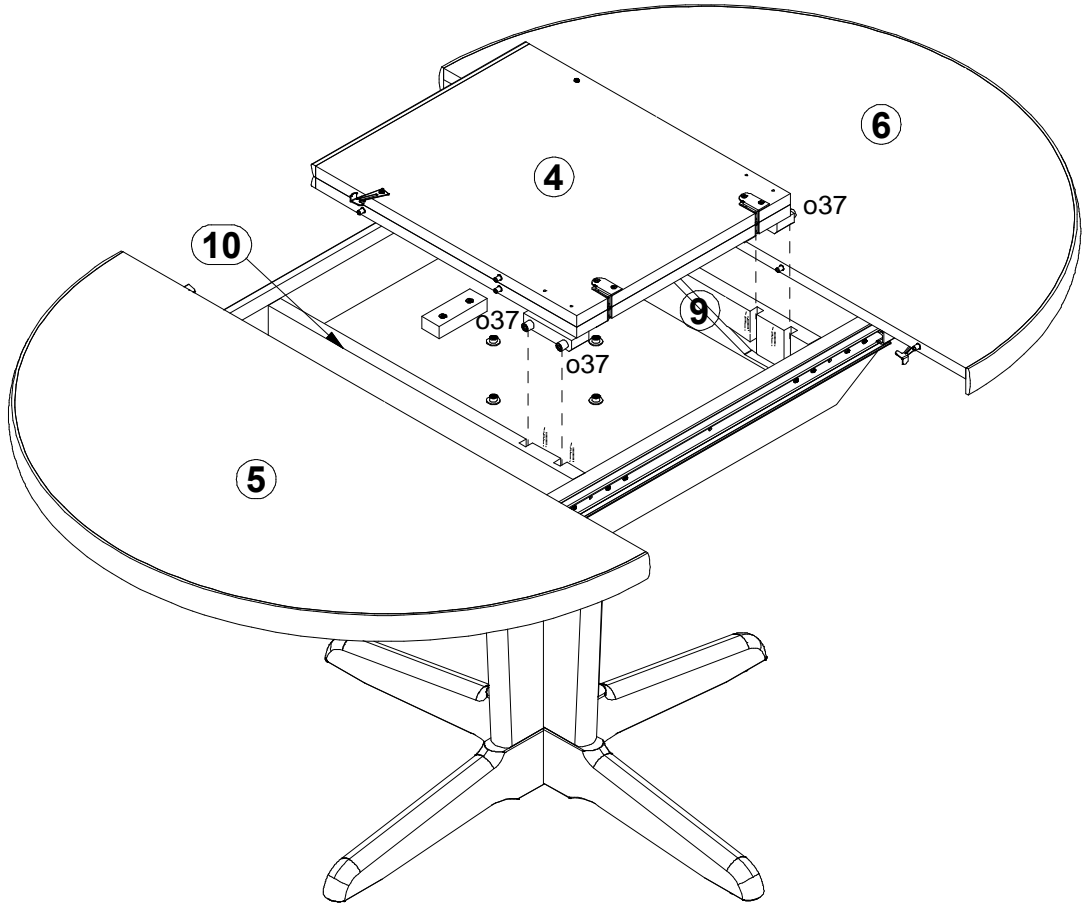
5



6



7



8

